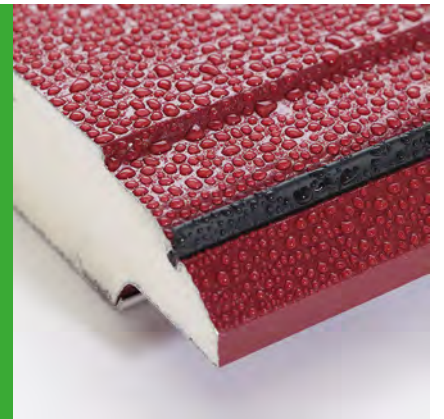


Воротные СИСТЕМЫ

Гаражные ворота TRENД
Промышленные ворота
PROTRENД, ALUTRENД
Каталог комплектующих



Содержание

1. Гаражные ворота Trend, промышленные ворота ProTrend, AluTrend.....	11
1.1 Конструкция секционных ворот.....	13
1.2 Полотно ворот.....	23
1.3 Встроенная калитка	87
1.4 Системы направляющих и подвеса	141
1.5 Система балансировки.....	191
2. Дополнительная комплектация	237
3. Метизы.....	251
4. Ремонтные узлы	259

06.2025 © ALUTECH

В связи с постоянным совершенствованием конструкции секционных ворот компания «АЛЮТЕХ» оставляет за собой право на внесение изменений в данный документ. Содержание данного документа не может являться основой для юридических претензий

Артикул стр.

4,8×9,5SDX	255
6,3×16S	255
6,3×25SDR	255
8×25S	255
8×60STX	256
8×80S	255
10×50D	256
10×95A	257
105610	244
687000007	304
AC-1	201
AC-5/4	202
B133	165
B134	164
B-180TL	169
B-180TLL	170
B-180TLR	170
B-180TNL	169
B-180TNR	169
B-180TR	169
B0310	176
B-700ATS	50
B802	178
B-1015	69
B-3500	176
B-3501	178
B-3509	177
B-3600TH	159
BB0401	224
BB4011	225
BR0400	224
BS11	103
C-9/52	77
C-10/53	75
C-36/41	136
C-36/41M	136
C-152	211
C0504	243
C0505	244
CB132-450	163
CB132-500	163
CD010N	213
CD011V	216
CD011V-D	216
CD012N	213
CD018N	213
CD018V	216
CD018V-5/4	216
CD018V-D	216
CD032N	214
CD032N-5/4	214
CD032N-D	214
CD054H	214
CD120H	215
CD164H	215
CD164H-5/4	215
CD164H-D	215
CH-5010	243
CH-5013	243
CP113-80	172
CP113-100	172
CP113-120	172
CP113-130	172
CP113-150	172
CP113-180	172
CP-133	173
CP0506	240
CP813-100	172
CP813-120	172

Артикул стр.

CP813-150	172
CP813-180	172
CP861	173
CP864	173
CP-3502L	167
CP-3502R	167
CP-3503LL	168
CP-3503LR	168
CP-3504NL	167
CP-3504NR	167
CP-3520H	171
CP-3521H	171
CR-3-250-P	217
CR-4-H	217
CR-5-H	217
CR-6-250	217
CRP-70	220
CRS1-3	218
CRS1-4	218
CRS1-5	218
CRS1-6	218
CRS2-3	218
CRS2-4	218
CRS2-5	218
CRS2-6	218
CRT-3	218
CRT-5	218
CRT-6	218
CT40.1.01-425-2640	34
CT40.1.01-425-3040	34
CT40.1.01-425-3540	34
CT40.1.01-425-4040	34
CT40.1.01-425-4540	34
CT40.1.01-425-5040	34
CT40.1.01-450-2640	34
CT40.1.01-450-3040	34
CT40.1.01-450-3540	34
CT40.1.01-450-4040	34
CT40.1.01-450-4540	34
CT40.1.01-450-5040	34
CT40.1.01-475-2640	35
CT40.1.01-475-3040	35
CT40.1.01-475-3540	35
CT40.1.01-475-4040	35
CT40.1.01-475-4540	35
CT40.1.01-475-5040	35
CT40.1.01-500-2640	35
CT40.1.01-500-3040	35
CT40.1.01-500-3540	35
CT40.1.01-500-4040	35
CT40.1.01-500-4540	35
CT40.1.01-500-5040	35
CT40.1.01-525-2640	36
CT40.1.01-525-3040	36
CT40.1.01-525-3540	36
CT40.1.01-525-4040	36
CT40.1.01-525-4540	36
CT40.1.01-525-5040	36
CT40.1.02-425-2640	34
CT40.1.02-425-3040	34
CT40.1.02-425-3540	34
CT40.1.02-425-4040	34
CT40.1.02-425-4540	34
CT40.1.02-425-5040	34
CT40.1.02-450-2640	34
CT40.1.02-450-3040	34
CT40.1.02-450-3540	34
CT40.1.02-450-4040	34
CT40.1.02-450-4540	34

Артикул стр.

CT40.1.02-450-5040	34
CT40.1.02-475-2640	35
CT40.1.02-475-3040	35
CT40.1.02-475-3540	35
CT40.1.02-475-4040	35
CT40.1.02-475-4540	35
CT40.1.02-475-5040	35
CT40.1.02-500-2640	35
CT40.1.02-500-3040	35
CT40.1.02-500-3540	35
CT40.1.02-500-4040	35
CT40.1.02-500-4540	35
CT40.1.02-500-5040	35
CT40.1.02-525-2640	36
CT40.1.02-525-3040	36
CT40.1.02-525-3540	36
CT40.1.02-525-4040	36
CT40.1.02-525-4540	36
CT40.1.02-525-5040	36
CT40.1.05-425-2640	37
CT40.1.05-425-3040	37
CT40.1.05-425-3540	37
CT40.1.05-425-4040	37
CT40.1.05-425-4540	37
CT40.1.05-425-5040	37
CT40.1.05-450-2640	37
CT40.1.05-450-3040	37
CT40.1.05-450-3540	37
CT40.1.05-450-4040	37
CT40.1.05-450-4540	37
CT40.1.05-450-5040	37
CT40.1.05-475-2640	38
CT40.1.05-475-3040	38
CT40.1.05-475-3540	38
CT40.1.05-475-4040	38
CT40.1.05-475-4540	38
CT40.1.05-475-5040	38
CT40.1.05-500-2640	38
CT40.1.05-500-3040	38
CT40.1.05-500-3540	38
CT40.1.05-500-4040	38
CT40.1.05-500-4540	38
CT40.1.05-500-5040	38
CT40.1.05-525-2640	39
CT40.1.05-525-3040	39
CT40.1.05-525-3540	39
CT40.1.05-525-4040	39
CT40.1.05-525-4540	39
CT40.1.05-525-5040	39
CT40.1.06-425-2640	37
CT40.1.06-425-3040	37
CT40.1.06-425-3540	37
CT40.1.06-425-4040	37
CT40.1.06-425-4540	37
CT40.1.06-425-5040	37
CT40.1.06-450-2640	37
CT40.1.06-450-3040	37
CT40.1.06-450-3540	37
CT40.1.06-450-4040	37
CT40.1.06-450-4540	37
CT40.1.06-450-5040	37
CT40.1.06-475-2640	38
CT40.1.06-475-3040	38
CT40.1.06-475-3540	38
CT40.1.06-475-4040	38
CT40.1.06-475-4540	38
CT40.1.06-475-5040	38
CT40.1.06-500-2640	38
CT40.1.06-500-3040	38

Артикул..... стр.

CT40.1.06-500-3540	38
CT40.1.06-500-4040	38
CT40.1.06-500-4540	38
CT40.1.06-500-5040	38
CT40.1.06-525-2640	39
CT40.1.06-525-3040	39
CT40.1.06-525-3540	39
CT40.1.06-525-4040	39
CT40.1.06-525-4540	39
CT40.1.06-525-5040	39
DH-4020	210
DIC043BR	81
DIC043WH	81
DIS043BR-3	81
DIS043BR-4	81
DIS043WH-3	81
DIS043WH-4	81
DP2020	131
DP2021	131
DP2022	131
DR-12-05	239
DR-12-07	239
DR-12-10	239
DR-CD010	235
DR-CD012	235
EC-40.425L	41
EC-40.425R	41
EC-40.450DL	41
EC-40.450DR	41
EC-40.450L	41
EC-40.450R	41
EC-40.475L	41
EC-40.475R	41
EC-40.500DL	41
EC-40.500DR	41
EC-40.500L	41
EC-40.500R	41
EC-40.525L	41
EC-40.525R	41
EC-40.625DL	41
EC-40.625DR	41
EC-40.625L	41
EC-40.625R	41
FLGU.400.1008	140
FLGU.400.1009	140
FPB5007	66
FPB5010	67
FPB-5012	67
FPP5008	67
FPU-1T	301
FRK07	47
FWO100/145B-40	246
FWO100C	248
FWO100F	247
FWO100H	248
FWO145C	248
FWO145F	247
FWO145H	249
GG-58	47
GLG-1T	266
GLG-2T	266
GLG-3T	262
GLG-3T	262
GLG-4T	262
GLG-5T	286
GLG-6T	286
GLG-7T	279
GLG-8T	287
GLG-9T	287

Артикул..... стр.

GLG-10T	280
GSH-1T	323
GSH-2T	323
GSH-3T	323
GSH-4	324
GSH-5	324
GSH-6	324
GSH-7	324
GSH-8	324
GSH-9	324
GSH-9T	323
GSH-10	324
GSH-12	326
GSH-13	326
GSH-14	326
GSH-15	326
GSH-16	326
GSH-17	325
GSH-18	325
GSH-19	327
GSH-20	327
GSH-21	327
GSH-22	327
GSH-23	327
GSH-24	327
GSH-25	327
GSH-27	325
GSH-28	325
GSH-30	328
GSH-31	328
GSH-32	328
GSH-33	328
GTS-1	302
HG-40.008	72
HGI006.002.01	71
HGI006.002.02	71
HGI006.002.03	71
HGI006.002.04	71
HGI006.002.09	71
HGI006.002.10	71
HGI006.002.12	71
HGI006.002.15	71
HGI006.002.16	71
HGI006.002.17	71
HGI006.002.18	71
HGI-40.006	71
HGI-40.007	72
HKG-4T	305
HKG-5T	305
HKG-6T	319
HKG-7T	320
HKG-8T	320
HKG-9T	305
HKG-10T	305
HKG-16T	320
HKG-17T	320
HKG-18T	306
HKG-19T	306
HKG-20T	321
HKG-21T	321
HKG-22T	306
HKG-23T	306
HKI-10	307
HKI-11	307
HKI-12	322
HKI-12T	320
HKI-13	322
HKI-13T	320
HKI-14	307

Артикул..... стр.

HKI-15	307
HKI-16	307
HKI-17	307
HKI-18	322
HKI-19	322
HKI-20	308
HKI-21	308
HKI-22	308
HKI-23	308
HKI-24	322
HKI-25	322
HKI-26	308
HKI-27	308
HKI-28	322
HKI-29	322
HKI-30	308
HKI-31	308
HKI-32	322
HKI-33	322
HKI-34	309
HKI-35	309
HKI-36	309
HKI-37	309
HKI-38	322
HKI-39	322
HKI-40	309
HKI-41	309
HKI-42	322
HKI-43	322
HKI-48	310
HKI-49	310
HKI-50	310
HKI-51	310
HKI-52	310
HKI-53	310
HKI-54	311
HKI-55	311
HKI-56	311
HKI-57	311
HKI-58	311
HKI-59	311
HKI-60	311
HKI-61	311
HKI-62	312
HKI-63	312
HKI-64	322
HKI-65	322
HKI-66	312
HKI-67	312
HKI-68	312
HKI-69	312
HKI-70	322
HKI-71	322
HKI-72	313
HKI-73	313
HKI-74	313
HKI-75	313
HKI-76	322
HKI-77	322
HKI-78	313
HKI-79	313
HKI-80	322
HKI-81	322
HKI-82	313
HKI-83	313
HKI-84	322
HKI-85	322
HKI-86	314
HKI-87	314

Артикул стр.

HKI-88	314
HKI-89	314
HKI-90	322
HKI-91	322
HKI-92	314
HKI-93	314
HKI-94	322
HKI-95	322
HKI-100	322
HKI-101	322
HKI-102	322
HKI-103	322
HKI-104	322
HKI-105	322
HKI-106	322
HKI-107	322
HKI-108	315
HKI-109	315
HKI-110	315
HKI-111	315
HKI-112	315
HKI-113	315
HKI-114	316
HKI-115	316
HKI-116	316
HKI-117	316
HKI-118	316
HKI-119	316
HKI-120	319
HKI-121	322
HKI-122	322
HKI-123	317
HKI-124	317
HKI-125	317
HKI-126	317
HKI-127	317
HKI-128	317
HKI-129	318
HKI-130	318
HKI-131	318
HKI-132	318
HKI-133	318
HKI-134	318
HKI-135	322
HKI-136	322
HKU001	245
HKU-002	245
IO500	239
IB-111M	223
IB-127M	223
IB-152-5/4	223
IB-152M	223
IB-4508	227
IB-4509	227
IBB-4501	221
IBB-4502	221
IBB-4510	222
IH-200	61
IH-201	61
IP-95N-5/4-3800	209
IP-95N-3800	209
IS85-2550	151
IS85-3060	151
IS85-3550	151
IS85-4100	151
IS85-4580	151
IS85-6000	151
IS85-7000	151
IS85-8000	151

Артикул стр.

LD-3508L	146
LD-3508R	146
LHT-3005	189
LKU-81	284
LP-3009H	73
LP-3514	179
LP-3515	179
LPA-1T	288
LPA-3T	289
LPA-5T	291
LPA-6T	292
LPA-7T	293
LPA-8T	294
LPA-15T	288
LPA-17T	289
LPA-19T	291
LPA-20T	292
LPA-21T	293
LPA-22T	294
LPA-27T	281
LPA-28T	282
LPA-29T	283
LPA-31T	290
LPA-32T	295
LPA-33T	296
LPA-34T	297
LPA-35T	298
LPA-36T	299
LPA-37T	300
LPA-41T	290
LPA-42T	295
LPA-43T	296
LPA-44T	297
LPA-45T	298
LPA-46T	299
LPA-47T	300
LPF-1T	263
LPF-2T	264
LPF-3T	264
LPU-1T	267
LPU-5T	269
LPU-6T	270
LPU-7T	271
LPU-8T	272
LPU-15T	267
LPU-19T	269
LPU-20T	270
LPU-21T	271
LPU-22T	272
LPU-27T	263
LPU-27T	263
LPU-28T	264
LPU-29T	264
LPU-31T	268
LPU-32T	273
LPU-34T	274
LPU-35T	275
LPU-36T	276
LPU-37T	277
LPU-41T	268
LPU-42T	273
LPU-44T	276
LPU-45T	275
LPU-46T	274
LPU-47T	277
LS-1017	86
M5×22SDX	256
M6×12BP	253
M6×12BKL	253

Артикул стр.

M6×16BKL	254
M6×16BP	253
M6N	254
M7 DIN9021	254
M8×12B	253
M8×16BKL	253
M8×25BKL	254
M8N	254
M10×55SCOL	256
MS-550N	174
MV350Rs-W	85
MV350s-B	85
MV350s-W	85
MW40.1.01-500	28
MW40.1.01-625	28
MW40.1.02-500	28
MW40.1.02-625	28
MW40.1.03-500	28
MW40.1.03-625	28
MW40.1.04-500	28
MW40.1.04-625	28
MW40.1.09-500	28
MW40.1.09-625	28
MW40.1.10-500	28
MW40.1.10-625	28
MW40.1.12-500	28
MW40.1.12-625	28
MW40.1.14-500	28
MW40.1.14-625	28
MW40.1.16-500	28
MW40.1.16-625	28
MW40.1.20-500	28
MW40.1.20-625	28
OSS4013	175
P19L	69
P19R	69
P1012	84
P-1501	83
P-1502	83
PB-3007IL	219
PB-3007IR	219
PB-3008GL	219
PB-3008GR	219
PB-3010	220
PC-4506	197
PED-2040L	138
PED-2040R	138
PED-2041-PC	137
PED-2042	137
PED-2044-PC	139
PED-2045	140
PED-2050L	138
PED-2050R	138
PED-2503	134
PED-2504	139
PRD13	128
PRD85.01	66
PRD85.01-7050	66
PRD98	46
PRD112	116
PRD113	115
PRD120	45
PRD121	45
PRD122	44
PRD123	45
PRD124	44
PRD125	44
PRD126	46
PRG01	147

Артикул стр.

PRG01LFL	148
PRG01LFR	148
PRG01LL	148
PRG01LR	148
PRG02H	147
PRG03	153
PRG04	153
PRG05S	149
PRG06	185
PRG07	161
PRG07N	160
PRG09	185
PRG-12	126
PRG-13	126
PRG-16	129
PRG-17	129
PRG-19	68
PRG-20	68
PRG-30L	146
PRG-30R	146
PRG-31	152
PRG-32	152
PRG-33	158
PRG-35	149
PRG-36	65
PRG-37	64
PRG-38	64
PRG110-8020	69
PRP01	46
R-120-20-GL	63
R-120-20-GR	63
R-120-35-GL	63
R-120-35-GR	63
R-130-12-G	62
R-205-12-G	62
RBI-40.100L-008	56
RBI-40.100L-010	57
RBI-40.100R-008	56
RBI-40.100R-010	57
RBI-40.110DL	55
RBI-40.110DR	55
RBI-40.110L	55
RBI-40.110R	55
RBI-40.120DL	57
RBI-40.120DR	57
RBI-40.120L	57
RBI-40.120R	57
RBI-40.123	52
RBI-40.124	52
RBI-40.126L	49
RBI-40.126R	49
RBI-40.127	49
RBI-40.200L	58
RBI-40.200R	58
RBI-40.900L	50
RBI-40.900R	50
RBI-45.100L	56
RBI-45.100R	56
RBT-100L	53
RBT-100R	53
RBT-110L	53
RBT-110R	53
RBT-120L	54
RBT-120R	54
RBT-200L	51
RBT-200R	51
RBT-210L	51
RBT-210R	51
RBT-310L	48

Артикул стр.

RBT-310R	48
RBT-320L	48
RBT-320R	48
RC0505	240
RE101FL-5	155
RE101FL-10	155
RE101FL-15	155
RE101FL-20	155
RE101FL-25	155
RE101FL-30	155
RE101FL-35	155
RE101FL-40	155
RE101FL-45	155
RE101FR-5	155
RE101FR-10	155
RE101FR-15	155
RE101FR-20	155
RE101FR-25	155
RE101FR-30	155
RE101FR-35	155
RE101FR-40	155
RE101FR-45	155
RE101L	154
RE101R	154
RE-401L	155
RE-401R	155
RE-801T	154
RK-4500	74
RK-6000	74
RL40.0.01-450	32
RL40.0.01-500	32
RL40.0.05-450	32
RL40.0.05-500	32
RL40.0.06-450	32
RL40.0.06-500	32
RL40.0.14-450	32
RL40.0.14-500	32
RL40.0.16-450	32
RL40.0.16-500	32
RL40.0.18-450	32
RL40.0.18-500	32
RL40.0.20-450	32
RL40.0.20-500	32
RL40.0.27-450	32
RL40.0.27-500	32
RL40.1.01-450	32
RL40.1.01-500	32
RL40.1.18-450	32
RL40.1.18-500	32
RL40.1.20-450	32
RL40.1.20-500	32
RLG003.226.01	76
RLG003.226.02	76
RLG003.226.03	76
RLG003.226.04	76
RLG003.226.09	76
RLG003.226.10	76
RLG003.226.12	76
RLG003.226.15	76
RLG003.226.16	76
RLG003.226.17	76
RLG003.226.18	76
RLI0103	77
RLT-403	75
RM40.0.01-450	31
RM40.0.01-500	31
RM40.0.05-450	31
RM40.0.05-500	31
RM40.0.06-450	31

Артикул стр.

RM40.0.06-500	31
RM40.0.16-450	31
RM40.0.16-500	31
RM40.0.27-450	31
RM40.0.27-500	31
RM40.1.01-450	31
RM40.1.01-500	31
RM40.1.18-450	31
RM40.1.18-500	31
RM40.1.20-450	31
RM40.1.20-500	31
RM0104	74
RM0104-4500	73
RP-40.123	59
RP-40.123D	59
RP-40.125	60
RP-40.125D	60
RS40.0.05-500	30
RS40.0.05-625	30
RS40.0.06-500	30
RS40.0.06-625	30
RS40.1.01-500	29
RS40.1.01-625	29
RS40.1.02-500	29
RS40.1.02-625	29
RS40.1.03-500	29
RS40.1.03-625	29
RS40.1.04-500	29
RS40.1.04-625	29
RS40.1.09-500	29
RS40.1.09-625	29
RS40.1.10-500	29
RS40.1.10-625	29
RS40.1.11-500	29
RS40.1.11-625	29
RS40.1.12-500	29
RS40.1.12-625	29
RS40.1.14-500	29
RS40.1.14-625	29
RS40.1.16-500	29
RS40.1.16-625	29
RS40.1.18-500	29
RS40.1.18-625	29
RS40.1.20-500	29
RS40.1.20-625	29
RS40.1.27-500	29
RS40.1.27-625	29
RS-3516	188
RSB11	116
RSB20	70
RSP16	40
RSP26	47
RSS-15T	150
RST01	70
RST-13T	150
RSW15	117
RT-130-12-G	63
RT-205-12-G	63
S140LFL-5	157
S140LFL-10	157
S140LFL-15	157
S140LFL-20	157
S140LFL-25	157
S140LFL-30	157
S140LFL-35	157
S140LFL-40	157
S140LFL-45	157
S140LFR-5	157
S140LFR-10	157

Артикул стр.

S140LFR-15	157
S140LFR-20	157
S140LFR-25	157
S140LFR-30	157
S140LFR-35	157
S140LFR-40	157
S140LFR-45	157
S140LL	157
S140LR	157
S-160LNL	157
S-160LNR	157
S-171L	162
S-171R	162
S-172L	162
S-172R	162
S0504	240
S-3505LL	156
S-3505LR	156
S-3506NL	156
S-3506NR	156
SA-5/4	201
SB0100	73
SB212S	195
SB-235K	186
SB-485K	186
SB-750EK	187
SB-750K	187
SBD-111L	212
SBD-111R	212
SBD-127L	212
SBD-127R	212
SBD-152L	212
SBD-152R	212
SBD-TL	212
SBD-TR	212
SBD-TSS5/4L	212
SBD-TSS5/4R	212
SCI-1	233
SCI-5/4	233
SCU-25	234
SF-51	208
SF-67	208
SF-95	208
SF-95-D	209
SF-152L	209
SF-152L-5/4	209
SF-152R	209
SF-152R-5/4	209
SH221S	195
SK-300	211
SKH-38	232
SKH-75x10	232
SKS-38	232
SKS-75	232
SP-230T	194
SS-45.100	242
SS0402	241
SS446L	242
SS446R	242
SXR 10x60 FUS	256
T-100-6000	166
T-152-3600	211
TB006	184
TB007	184
TB-191T-300	180
TB-191T-500	180
TB-191T-800	180
TB-191T-1000	180
TB-192T	181

Артикул стр.

TB193S-330	181
TB193S-680	181
TB193S-910	181
TB-194T	180
TB603	182
TB604	183
TB607-300	182
TB607-500	182
TB607-800	182
TB607-1000	182
TB607-1500	182
TB-4507	226
TBB-4505	222
TBI-600L	229
TBI-600R	229
TBI-610L	229
TBI-610R	229
TBI-630L	229
TBI-630R	229
TBI-640L	229
TBI-640R	229
TBI-700L	229
TBI-700R	229
TBI-710L	229
TBI-710R	229
TBI-730L	229
TBI-730R	229
TBI-810L	228
TBI-810R	228
TBI-820L	228
TBI-820R	228
TBI-830L	228
TBI-830R	228
TBI-840L	228
TBI-840R	228
TBI922	183
TBI923	183
TBI924	184
TBI-4512L	230
TBI-4512R	230
TBT-916L	231
TBT-916R	231
TBT-4503	226
TKU-1	302
TKU-2	302
TKU-3	302
TKU-4	302
TKU-5	302
TKU-6	302
TKU-7	302
TKU-8	302
TKU-9	302
TKU-11	302
TKU-13	303
TKU-21	303
TKU-22	303
TKU-23	303
TKU-24	303
TKU-25	303
TKU-26	303
TKU-27	303
TKU-28	303
TKU-29	303
TKU-30	303
TKU-31	303
TKU-32	303
TKU-33	304
TN26x25VTx2500R	196
TN28x25BRx2500R	196

Артикул стр.

TN30x25WHx1500R	196
TN30x33WHx2000R	196
TN32x25YLx1020R	196
TN32x25YLx1280R	196
TN32x33GRx1100R	196
TN34x25RDx1550R	196
TN34x33BLx850R	196
TN36x33ORx960R	196
TN36x33ORx1060R	196
TN38x33PNx1000R	196
TN38x33PNx1220R	196
TN40x33GNx1260R	196
TN42x33BKx1260R	196
TP-550	174
TSA42,5x51x1000L	204
TSA42,5x51x1000R	204
TSA45x51x1100L	204
TSA45x51x1100R	204
TSA47,5x51x1250L	204
TSA47,5x51x1250R	204
TSA50x51x2000L	204
TSA50x51x2000R	204
TSA52,5x51x2000L	204
TSA52,5x51x2000R	204
TSA55x51x2000L	204
TSA55x51x2000R	204
TSA55x67x1200L	205
TSA55x67x1200R	205
TSA57,5x51x1600L	204
TSA57,5x51x1600R	204
TSA57,5x67x1400L	205
TSA57,5x67x1400R	205
TSA60x51x1700L	204
TSA60x51x1700R	204
TSA60x67x1500L	205
TSA60x67x1500R	205
TSA62,5x51x1800L	204
TSA62,5x51x1800R	204
TSA62,5x67x1700L	205
TSA62,5x67x1700R	205
TSA65x51x1900L	204
TSA65x51x1900R	204
TSA65x67x1700L	205
TSA65x67x1700R	205
TSA65x95x1400L	206
TSA65x95x1400R	206
TSA70x51x1400L	204
TSA70x51x1400R	204
TSA70x51x2000L	204
TSA70x51x2000R	204
TSA70x67x1900L	205
TSA70x67x1900R	205
TSA70x95x1150L	206
TSA70x95x1150R	206
TSA70x95x1650L	206
TSA70x95x1650R	206
TSA75x67x2200L	205
TSA75x67x2200R	205
TSA75x95x1300L	206
TSA75x95x1300R	206
TSA75x95x1750L	206
TSA75x95x1750R	206
TSA75x152x1300L	207
TSA75x152x1300R	207
TSA80x95x1500L	206
TSA80x95x1500R	206
TSA80x95x2100L	206
TSA80x95x2100R	206
TSA80x152x1500L	207

Артикул..... стр.

TSA80×152×1500R	207
TSA85×95×1250L	206
TSA85×95×1250R	206
TSA85×95×1800L	206
TSA85×95×1800R	206
TSA85×152×1250L	207
TSA85×152×1250R	207
TSA85×152×1750L	207
TSA85×152×1750R	207
TSA90×95×1400L	206
TSA90×95×1400R	206
TSA90×95×1800L	206
TSA90×95×1800R	206
TSA90×152×1300L	207
TSA90×152×1300R	207
TSA90×152×2100L	207
TSA90×152×2100R	207
TSA95×95×1750L	206
TSA95×95×1750R	206
TSA95×152×1300L	207
TSA95×152×1300R	207
TSA95×152×1500L	207
TSA95×152×1500R	207
TSA95×152×2250L	207
TSA95×152×2250R	207
TSA100×152×1400L	207
TSA100×152×1400R	207
TSA100×152×1600L	207
TSA100×152×1600R	207
TSA100×152×2450L	207
TSA100×152×2450R	207
TSA105×152×1400L	207
TSA105×152×1400R	207
TSA105×152×1800L	207
TSA105×152×1800R	207
TSA110×152×1550L	207
TSA110×152×1550R	207
TSA110×152×1800L	207
TSA110×152×1800R	207
TSA115×152×1800L	207
TSA115×152×1800R	207
TSA120×152×1700L	207
TSA120×152×1700R	207
TSH-4500	199
TSH-4500-2	199
TSH-5500	199
TSH-5500-2	199
TSS-5/4-4000	200
TSS-5/4-5800	200
TSS-5000	199
TSS-5500	199
US230S	194
VG-368BK	85
VG-368RBK	85
VG-368RWH	85
VG-368WH	85
W043-BR40	79
W043-CG	79
W043-GG	79
W043-MG	79
W043-TG	79
W043-WH40	79
W046-40	78
W050-BR40	79
W050-CG	80
W050-GG	80
W050-MG	80
W050-TG	80
W050-WH40	79

Артикул..... стр.

W51SS-40	82
W060-BR40	80
W060-CG	80
W060-GG	80
W060-MG	80
W060-TG	80
W060-WH40	80
W61SS-40	82
W085-40	78
W095-40	78
WD12P	127
WD13PL	127
WD13PR	127
WD16PL	130
WD16PR	130
WD17PL	130
WD17PR	130
WD-40.01L-BR	119
WD-40.01L-GR	119
WD-40.01R-BR	119
WD-40.01R-GR	119
WD-40.11L-BR	118
WD-40.11L-GR	118
WD-40.11R-BR	118
WD-40.11R-GR	118
WD-40.21L-BR	104
WD-40.21L-GR	104
WD-40.21R-BR	104
WD-40.21R-GR	104
WD-40.22L-BR	104
WD-40.22L-GR	104
WD-40.22R-BR	104
WD-40.22R-GR	104
WD-40.32L-BR	118
WD-40.32L-GR	118
WD-40.32R-BR	118
WD-40.32R-GR	118
WD-40.151L.001	123
WD-40.151L.101	113
WD-40.151L.103	114
WD-40.151L.201	99
WD-40.151L.202	97
WD-40.151L.203	100
WD-40.151L.302	111
WD-40.151R.001	123
WD-40.151R.101	113
WD-40.151R.103	114
WD-40.151R.201	99
WD-40.151R.202	97
WD-40.151R.203	100
WD-40.151R.302	111
WD-40.152L.001	123
WD-40.152L.101	112
WD-40.152L.201	98
WD-40.152L.202	96
WD-40.152L.302	111
WD-40.152R.001	123
WD-40.152R.101	112
WD-40.152R.201	98
WD-40.152R.202	96
WD-40.152R.302	111
WD-40.153L.001	123
WD-40.153L.101	114
WD-40.153L.201	100
WD-40.153L.202	98
WD-40.153L.203	101
WD-40.153L.302	112
WD-40.153R.001	123
WD-40.153R.101	114

Артикул..... стр.

WD-40.153R.201	100
WD-40.153R.202	98
WD-40.153R.203	101
WD-40.153R.302	112
WD-40.161L.001	123
WD-40.161L.101	113
WD-40.161L.201	99
WD-40.161L.202	97
WD-40.161L.302	111
WD-40.161R.001	123
WD-40.161R.101	113
WD-40.161R.201	99
WD-40.161R.202	97
WD-40.161R.302	111
WD-40.162L.001	123
WD-40.162L.101	112
WD-40.162L.201	98
WD-40.162L.202	96
WD-40.162L.302	111
WD-40.162R.001	123
WD-40.162R.101	112
WD-40.162R.201	98
WD-40.162R.202	96
WD-40.162R.302	111
WD-40.163L.001	123
WD-40.163L.101	114
WD-40.163L.201	100
WD-40.163L.202	98
WD-40.163L.302	112
WD-40.163R.001	123
WD-40.163R.101	114
WD-40.163R.201	100
WD-40.163R.202	98
WD-40.163R.302	112
WD-40.250L.101	110
WD-40.250L.201	96
WD-40.250L.202KfV	95
WD-40.250L.202KfV-01	95
WD-40.250L.302KfV	110
WD-40.250R.001	122
WD-40.250R.101	110
WD-40.250R.201	96
WD-40.250R.202KfV	95
WD-40.250R.202KfV-01	95
WD-40.250R.302KfV	110
WD-40.260L.101	110
WD-40.260L.201	96
WD-40.260L.202KfV	95
WD-40.260L.202KfV-01	95
WD-40.260L.302KfV	110
WD-40.260R.001	122
WD-40.260R.101	110
WD-40.260R.201	96
WD-40.260R.202KfV	95
WD-40.260R.202KfV-01	95
WD-40.260R.302KfV	110
WD-40.350L.202	95
WD-40.350L.302	109
WD-40.350R.202	95
WD-40.350R.302	109
WD-40.360L.202	95
WD-40.360L.302	109
WD-40.360R.202	95
WD-40.360R.302	109
WD-40.403L.001	122
WD-40.403L.101	109
WD-40.403L.103	108
WD-40.403L.201	94
WD-40.403L.202	93

Артикул стр.

WD-40.403L.203H.....	93
WD-40.403L.302.....	108
WD-40.403R.001.....	122
WD-40.403R.101.....	109
WD-40.403R.103.....	108
WD-40.403R.201.....	94
WD-40.403R.202.....	93
WD-40.403R.203H.....	93
WD-40.403R.302.....	108
WD-40.404L.001.....	122
WD-40.404L.101.....	109
WD-40.404L.201.....	94
WD-40.404L.202.....	93
WD-40.404L.302.....	108
WD-40.404R.001.....	122
WD-40.404R.101.....	109
WD-40.404R.201.....	94
WD-40.404R.202.....	93
WD-40.404R.302.....	108
WD-40.2033L.....	115
WD-40.2033R.....	115
WD100.....	125
WD0210.....	134
WD403R.108.....	132
WD2011.....	105
WD2013N.....	121
WD2014.....	121
WD2028.....	120
WD2031.....	105
WD2034L-BK.....	116
WD2034R-BK.....	116
WD2035.....	132
WD2039.....	133
WDE-40.151L.101.....	113
WDE-40.151L.201.....	99
WDE-40.151L.202.....	97
WDE-40.151L.302.....	112
WDE-40.151R.101.....	113
WDE-40.151R.103.....	115
WDE-40.151R.201.....	99
WDE-40.151R.202.....	97

Артикул стр.

WDE-40.151R.203.....	101
WDE-40.151R.302.....	112
WDE-40.152L.101.....	113
WDE-40.152L.201.....	99
WDE-40.152L.202.....	97
WDE-40.152L.302.....	111
WDE-40.152R.101.....	113
WDE-40.152R.201.....	99
WDE-40.152R.202.....	97
WDE-40.152R.302.....	111
WDE-40.153L.101.....	114
WDE-40.153L.202.....	98
WDE-40.153R.101.....	114
WDE-40.153R.201.....	100
WDE-40.153R.201.....	100
WDE-40.153R.202.....	98
WDE-40.153R.203.....	101
WDE-40.161L.101.....	113
WDE-40.161L.201.....	99
WDE-40.161L.202.....	97
WDE-40.161L.302.....	112
WDE-40.161R.101.....	113
WDE-40.161R.201.....	99
WDE-40.161R.202.....	97
WDE-40.161R.302.....	112
WDE-40.162L.101.....	113
WDE-40.162L.201.....	99
WDE-40.162L.202.....	97
WDE-40.162L.302.....	111
WDE-40.162R.101.....	113
WDE-40.162R.201.....	99
WDE-40.162R.202.....	97
WDE-40.162R.302.....	111
WDE-40.163L.101.....	114
WDE-40.163L.202.....	98
WDE-40.163R.101.....	114
WDE-40.163R.201.....	100
WDE-40.163R.201.....	100
WDE-40.163R.202.....	98
WDE-40.250L.101.....	110
WDE-40.250L.201.....	96

Артикул стр.

WDE-40.250R.101.....	110
WDE-40.250R.201.....	96
WDE-40.260L.101.....	110
WDE-40.260L.201.....	96
WDE-40.260R.101.....	110
WDE-40.260R.201.....	96
WDE-40.403L.101.....	109
WDE-40.403L.103.....	108
WDE-40.403L.201.....	94
WDE-40.403L.202.....	94
WDE-40.403L.203H.....	93
WDE-40.403R.101.....	109
WDE-40.403R.103.....	108
WDE-40.403R.201.....	94
WDE-40.403R.202.....	94
WDE-40.403R.203H.....	93
WDE-40.404L.101.....	109
WDE-40.404L.201.....	94
WDE-40.404L.202.....	94
WDE-40.404R.101.....	109
WDE-40.404R.201.....	94
WDE-40.404R.202.....	94
WH-40.011.....	124
WH-100.....	102
WL32.....	119
WL0202-PC.....	136
WL2021-BK.....	135
WL2021-BR.....	135
WL2021-SL.....	135
WL2022-BK.....	135
WL2022-BR.....	135
WL2022-SL.....	135
WL2025-BK.....	135
WL2025-BR.....	135
WL2025-SS.....	135
WL2026-BK.....	135
WL2026-BR.....	135
WL2026-SS.....	135
WSL-3.....	132
WSL-8.....	132

1

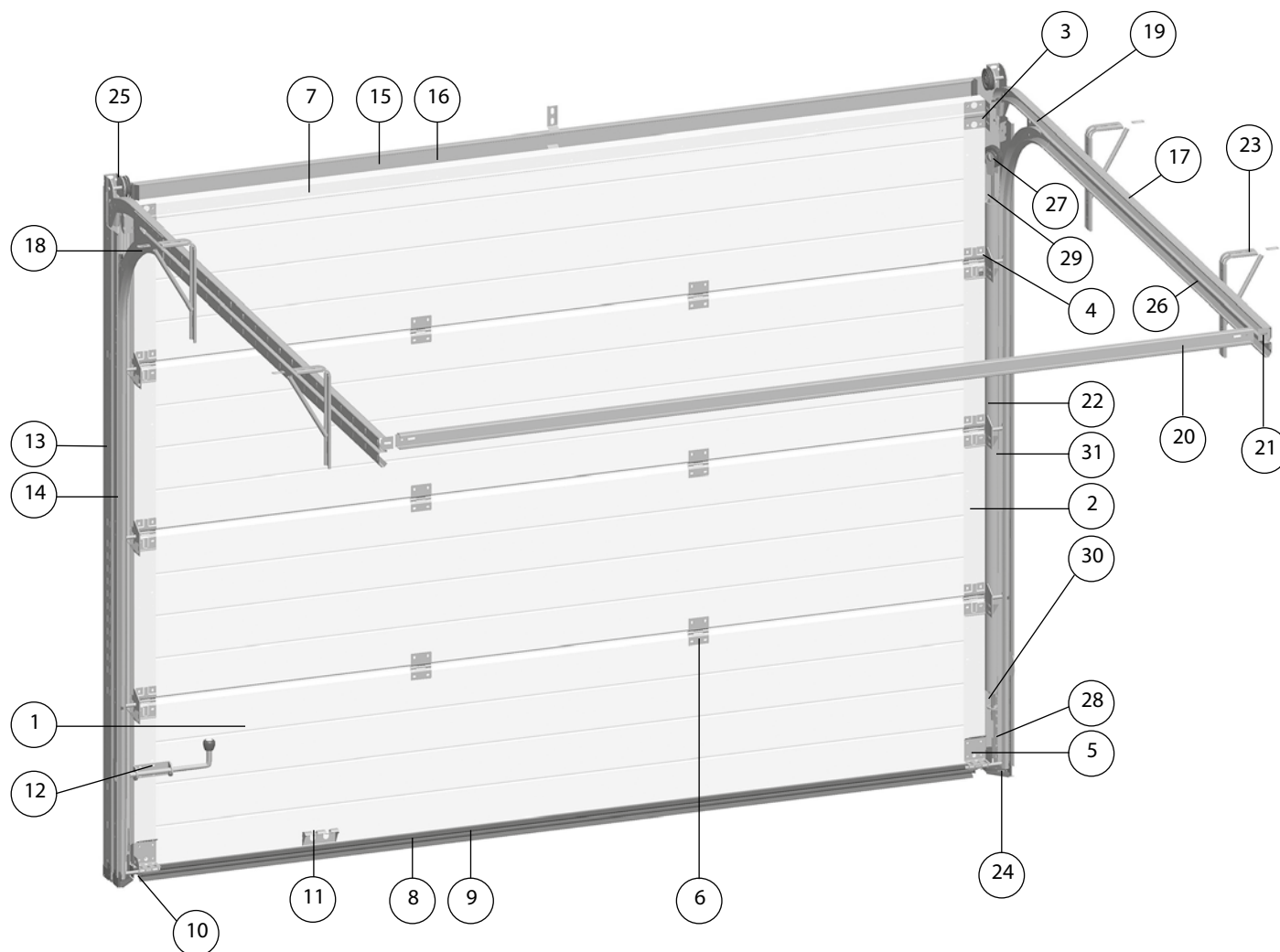
Гаражные ворота Trend Промышленные ворота ProTrend, AluTrend

1.1	Конструкция секционных ворот	13
1.2	Полотно ворот	23
1.3	Встроенная калитка	87
1.4	Системы направляющих и подвеса	141
1.5	Система балансировки	191

1.1

Конструкция секционных ворот

ГАРАЖНЫЕ ВОРОТА TREND С ПРУЖИНАМИ РАСТЯЖЕНИЯ

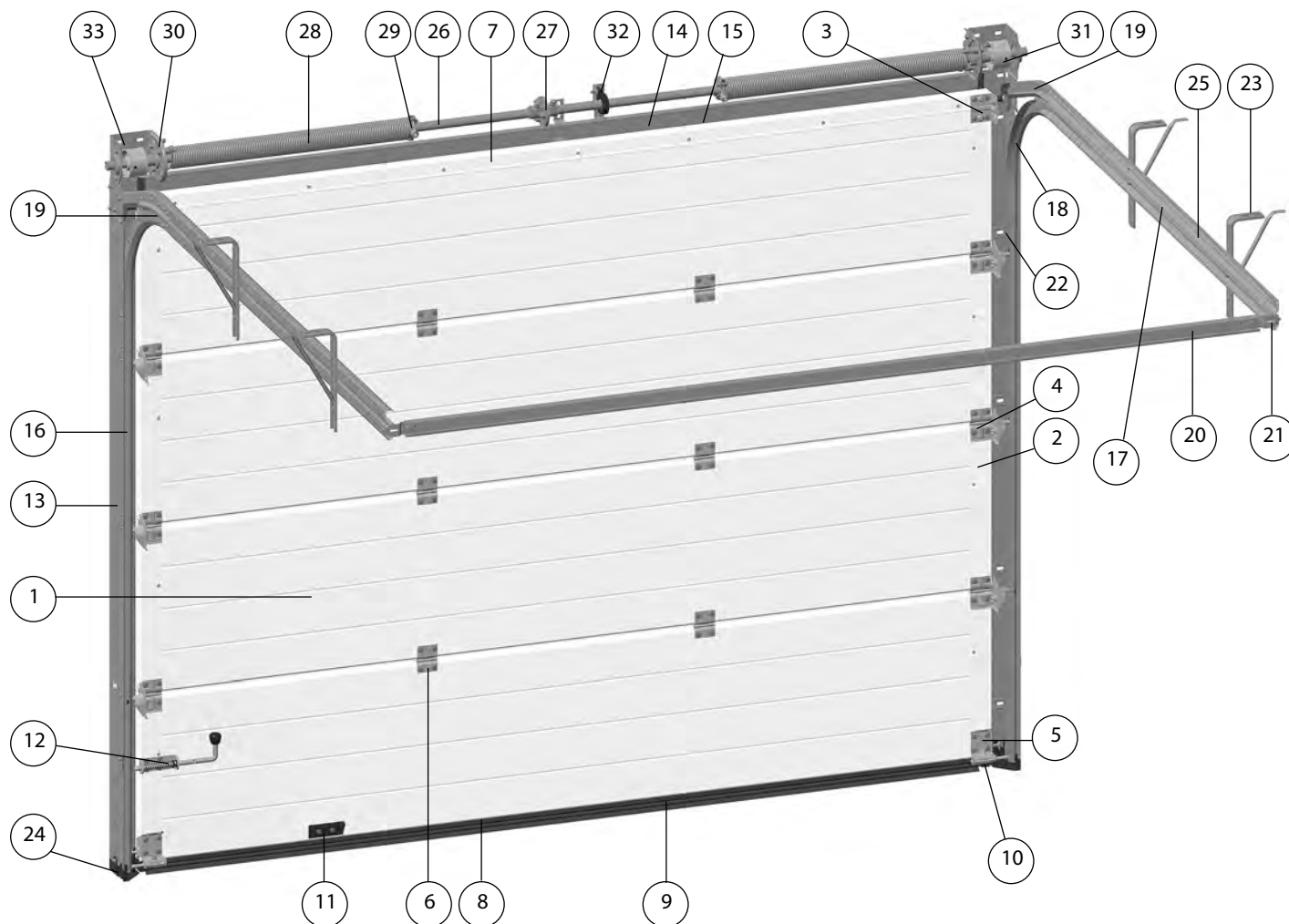


№	Наименование	№	Наименование	№	Наименование
Полотно ворот		Системы направляющих и подвеса		Система балансировки	
1	Сэндвич-панель	13	Профиль угловой	27	Узел верхний
2	Накладка боковая	14	Профиль направляющий верт.	28	Пластина
3	Кронштейн роликовый верхний	15	Профиль передний (нащельник)	29	Фиксатор
4	Кронштейн роликовый боковой	16	Вставка уплотнительная (верхняя)	30	Кронштейн
5	Кронштейн роликовый нижний	17	Профиль направляющий гориз.	31	Внутренняя и наружная пружина
6	Петля промежуточная	18	Элемент радиусный		
7	Профиль концевой (верхний)	19	Узел направляющий передний		
8	Профиль концевой (нижний)	20	С-профиль (мерная планка)		
9	Вставка уплотнительная (нижняя)	21	Кронштейн мерной планки		
10	Упор нижний	22	Кронштейн угловой		
11	Ручка	23	Подвес		
12	Засов	24	Ограничитель угловой стойки		
		25	Кронштейн		
		26	Ограничитель		

Секционные ворота «АЛЮТЕХ» соответствуют требованиям Европейских стандартов безопасности EN 12604 и EN 12453.

ГАРАЖНЫЕ ВОРОТА TREND С ТОРСИОННЫМИ ПРУЖИНАМИ

СТАНДАРТНЫЙ МОНТАЖ



№	Наименование
Полотно ворот	
1	Сэндвич-панель
2	Накладка боковая
3	Кронштейн роликовый верхний
4	Кронштейн роликовый боковой
5	Кронштейн роликовый нижний
6	Петля промежуточная
7	Профиль концевой (верхний)
8	Профиль концевой (нижний)
9	Вставка уплотнительная (нижняя)
10	Упор нижний
11	Ручка
12	Засов

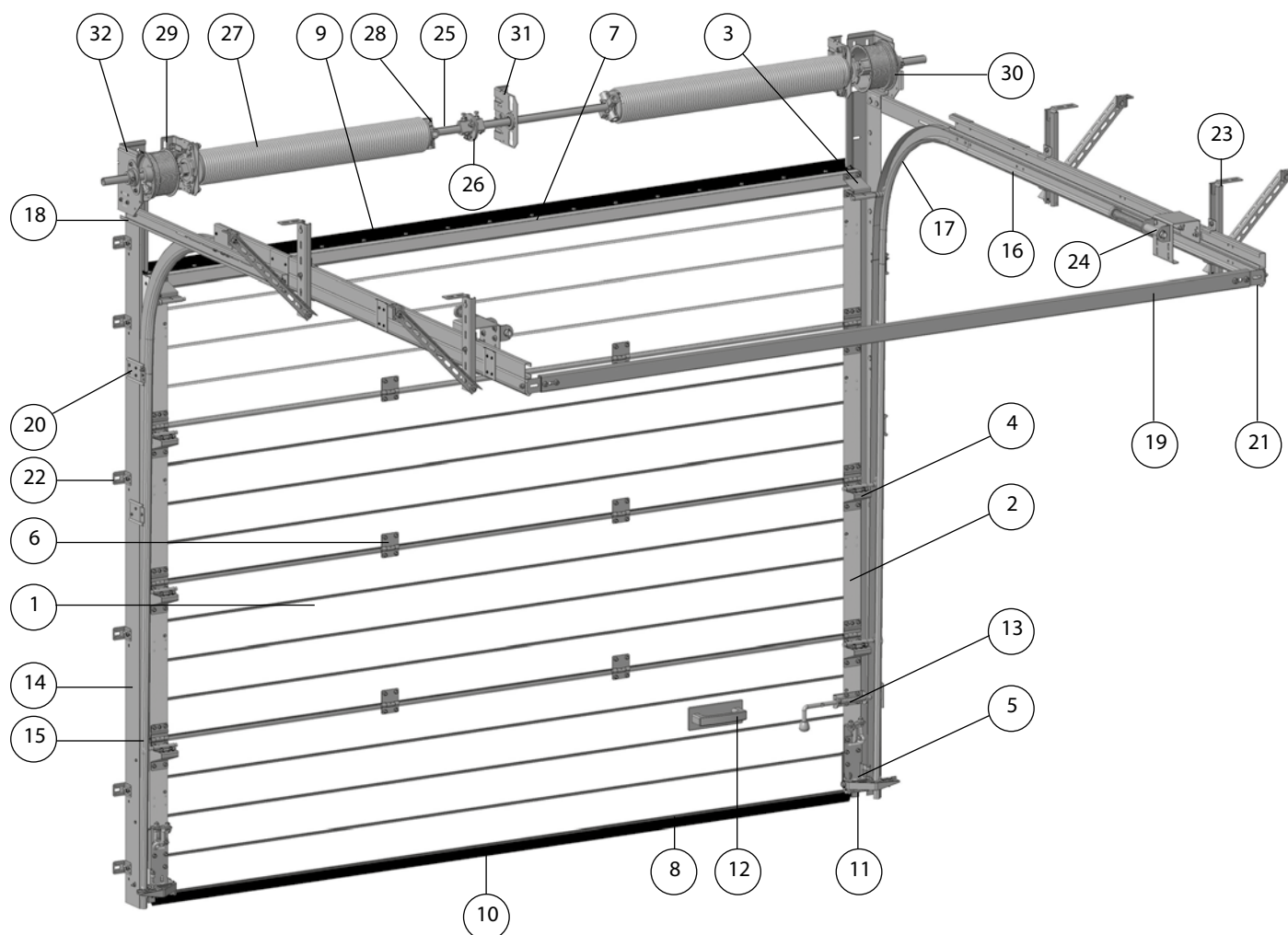
№	Наименование
Системы направляющих и подвеса	
13	Профиль угловой
14	Профиль передний (нащельник)
15	Вставка уплотнительная (верхняя)
16	Профиль направляющий верт.
17	Профиль направляющий гориз.
18	Элемент радиусный
19	Узел направляющий передний
20	С-профиль (мерная планка)
21	Кронштейн мерной планки
22	Кронштейн угловой
23	Подвес
24	Ограничитель угловой стойки
25	Ограничитель

№	Наименование
Торсионный вал	
26	Вал
27	Муфта соединительная
28	Пружина
29	Наконечник пружинный
30	Муфта предохранительная храповая
31	Барaban
32	Кронштейн промежуточный
33	Кронштейн

Секционные ворота «АЛЮТЕХ» соответствуют требованиям Европейских стандартов безопасности EN 12604 и EN 12453.

ПРОМЫШЛЕННЫЕ ВОРОТА PROTREND

СТАНДАРТНЫЙ МОНТАЖ



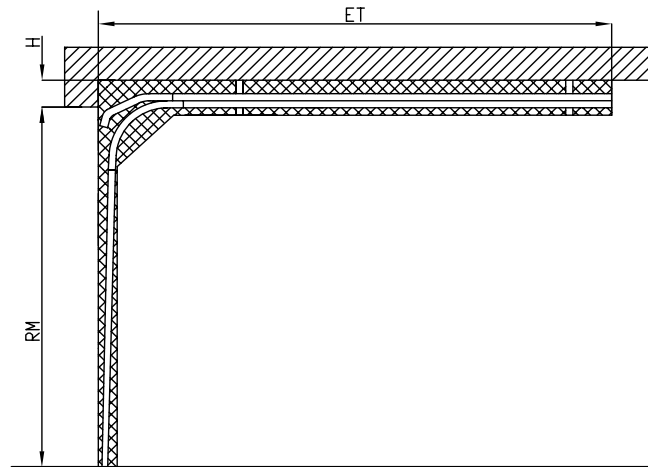
№	Наименование
Полотно ворот	
1	Сэндвич-панель
2	Накладка боковая
3	Кронштейн роликовый верхний
4	Кронштейн роликовый боковой
5	Кронштейн роликовый нижний
6	Петля промежуточная
7	Профиль концевой (верхний)
8	Профиль концевой (нижний)
9	Вставка уплотнительная (верхняя)
10	Вставка уплотнительная (нижняя)
11	Упор нижний
12	Ручка
13	Засов

№	Наименование
Системы направляющих и подвеса	
14	Профиль угловой
15	Профиль направляющий верт.
16	Профиль направляющий гориз.
17	Элемент радиусный
18	Узел передний
19	С-профиль (мерная планка)
20	Пластины соединительные
21	Кронштейн мерной планки
22	Кронштейн угловой
23	Подвес
24	Демпфер

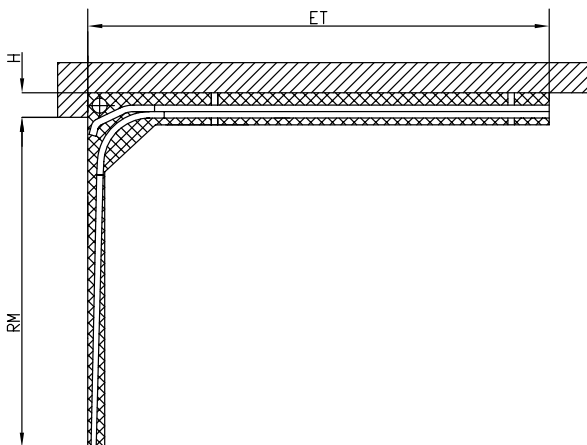
№	Наименование
Торсионный вал	
25	Вал
26	Муфта соединительная
27	Пружина
28	Наконечник пружинный
29	Муфта предохранительная храповая
30	Барaban
31	Кронштейн промежуточный
32	Кронштейн боковой

Секционные ворота «АЛЮТЕХ» соответствуют требованиям Европейских стандартов безопасности EN 12604 и EN 12453.

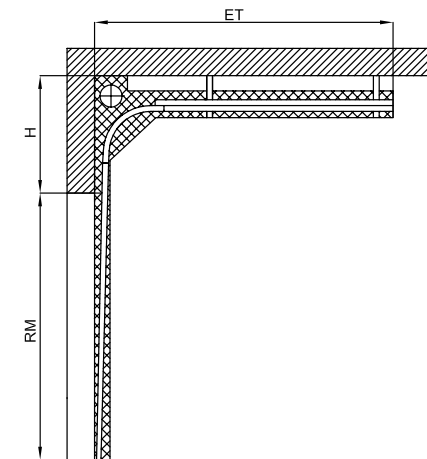
МОНТАЖНАЯ СХЕМА СЕКЦИОННЫХ ГАРАЖНЫХ ВОРОТ СЕРИИ TREND С ПРУЖИНАМИ РАСТЯЖЕНИЯ



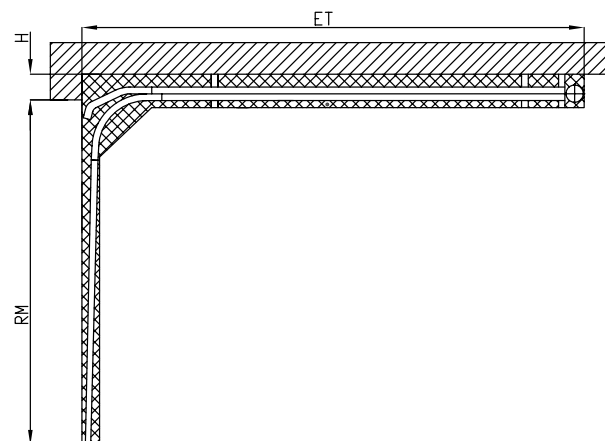
ТИПЫ МОНТАЖА ГАРАЖНЫХ СЕКЦИОННЫХ ВОРОТ СЕРИИ TREND С ТОРСИОННЫМИ ПРУЖИНАМИ



Стандартный монтаж



Высокий монтаж

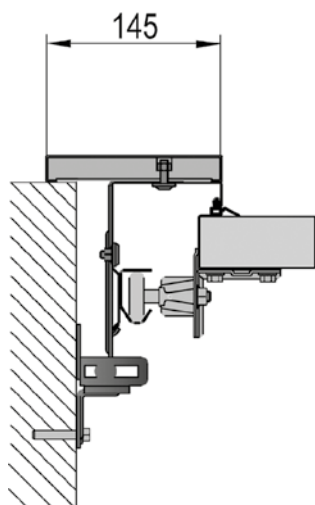


Низкий монтаж

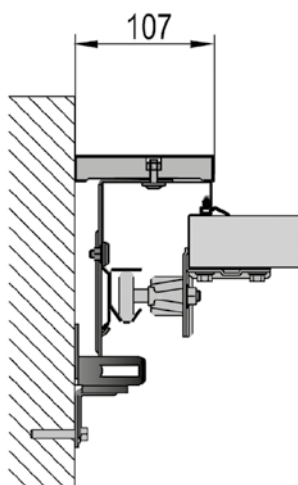
H — высота перемычки, мм
 RM — высота проема, мм
 ET — глубина вхождения ворот внутрь помещения, мм

Тип монтажа	Минимальная высота перемычки (H), мм
Пружины растяжения	100
Высокий монтаж	500
Стандартный монтаж	210
Низкий монтаж	100

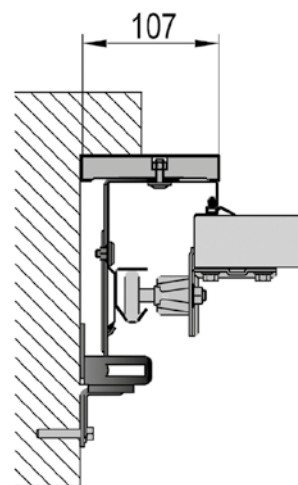
ВСТРОЕННЫЙ МОНТАЖ ГАРАЖНЫХ ВОРОТ С ПРУЖИНАМИ РАСТЯЖЕНИЯ И ГАРАЖНЫХ ВОРОТ НИЗКОГО ТИПА МОНТАЖА



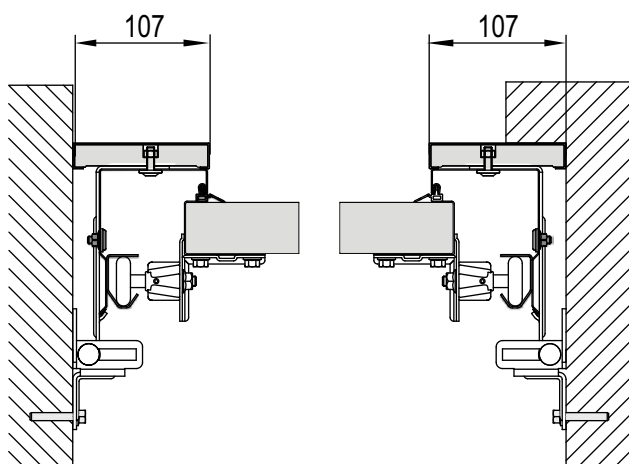
Монтаж перед проемом
Комплект арт. **FWO145/145-40**



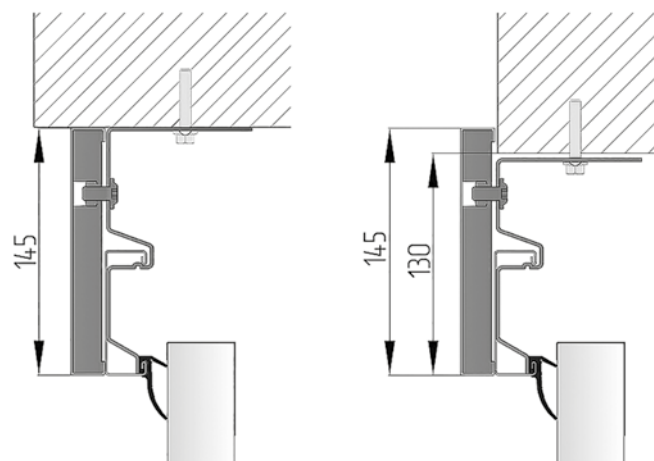
Монтаж в проеме
Комплект арт. **FWO100/145-40**



Монтаж за проемом
Комплект арт. **FWO100/145-40**



Комбинированный монтаж
Комплект арт. **FWO100/145-40**

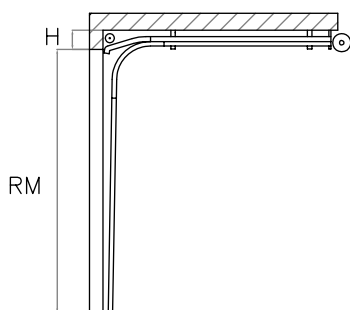


Установка декоративного нащельника
Комплект арт. **FWO100/145-40** Комплект арт. **FWO145/145-40**

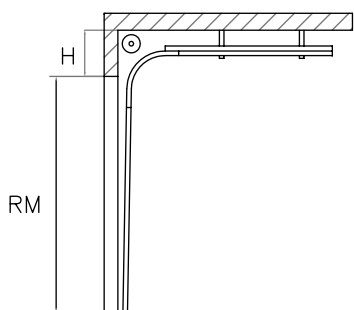
Размеры боковых заплечиков и верхней перемычки:

Боковые заплечики	0–107 мм
Верхняя перемычка	0–145 мм

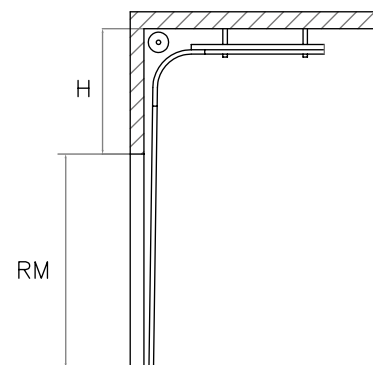
ТИПЫ МОНТАЖА ПРОМЫШЛЕННЫХ СЕКЦИОННЫХ ВОРОТ СЕРИИ PROTREND



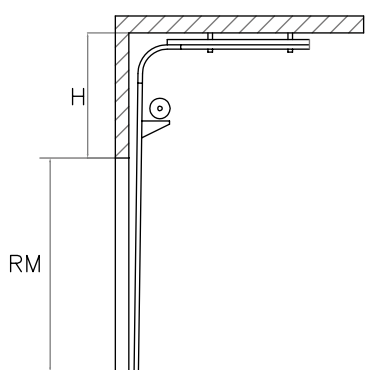
Низкий тип монтажа



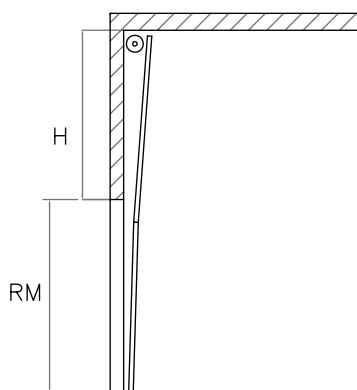
Стандартный тип монтажа



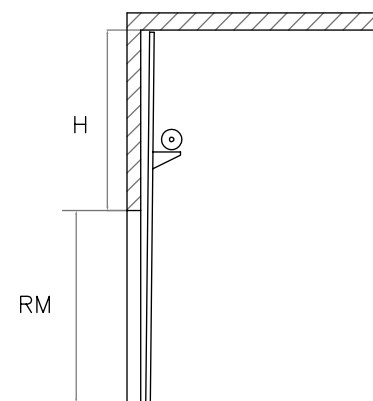
Высокий тип монтажа с верхним расположением вала



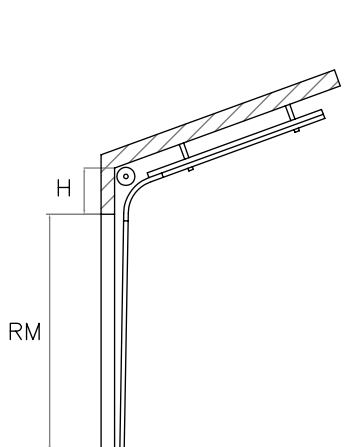
Высокий тип монтажа с нижним расположением вала



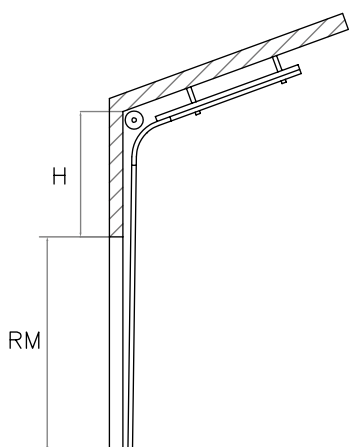
Вертикальный тип монтажа с верхним расположением вала



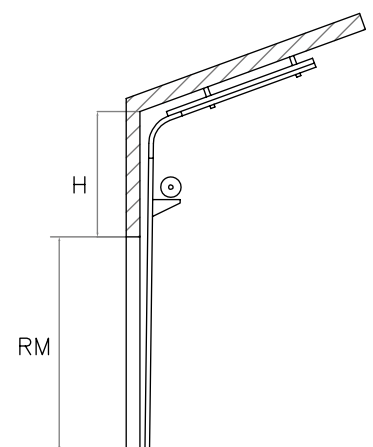
Вертикальный тип монтажа с нижним расположением вала



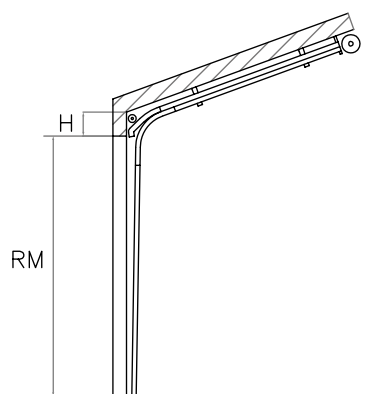
Наклонный тип монтажа



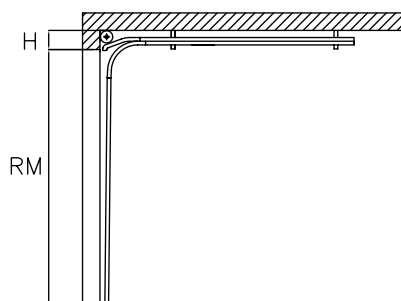
Наклонный высокий тип монтажа с верхним расположением вала



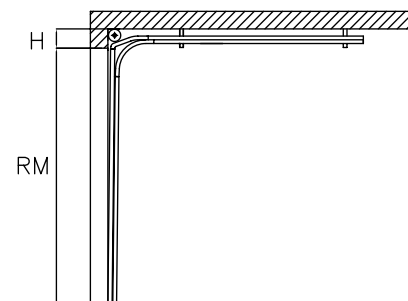
Наклонный высокий тип монтажа с нижним расположением вала



Наклонный низкий тип монтажа



Низкий с передним расположением вала
тип монтажа



Низкий с передним расположением вала
(тип 2) монтаж

H — высота перемычки, мм

RM — высота проема, мм

Тип монтажа	Минимальная высота перемычки (H), мм
Низкий	230
Стандартный	410
Высокий с верхним расположением вала	900
Высокий с нижним расположением вала	1795
Вертикальный с верхним расположением вала	RM+340
Вертикальный с нижним расположением вала	RM+340
Наклонный	490
Наклонный высокий с верхним расположением вала	900
Наклонный высокий с нижним расположением вала	1795
Наклонный низкий	275
Низкий с передним расположением вала	250
Низкий с передним расположением вала (тип 2)	260

1.1

1.2

1.3

1.4

1.5

2

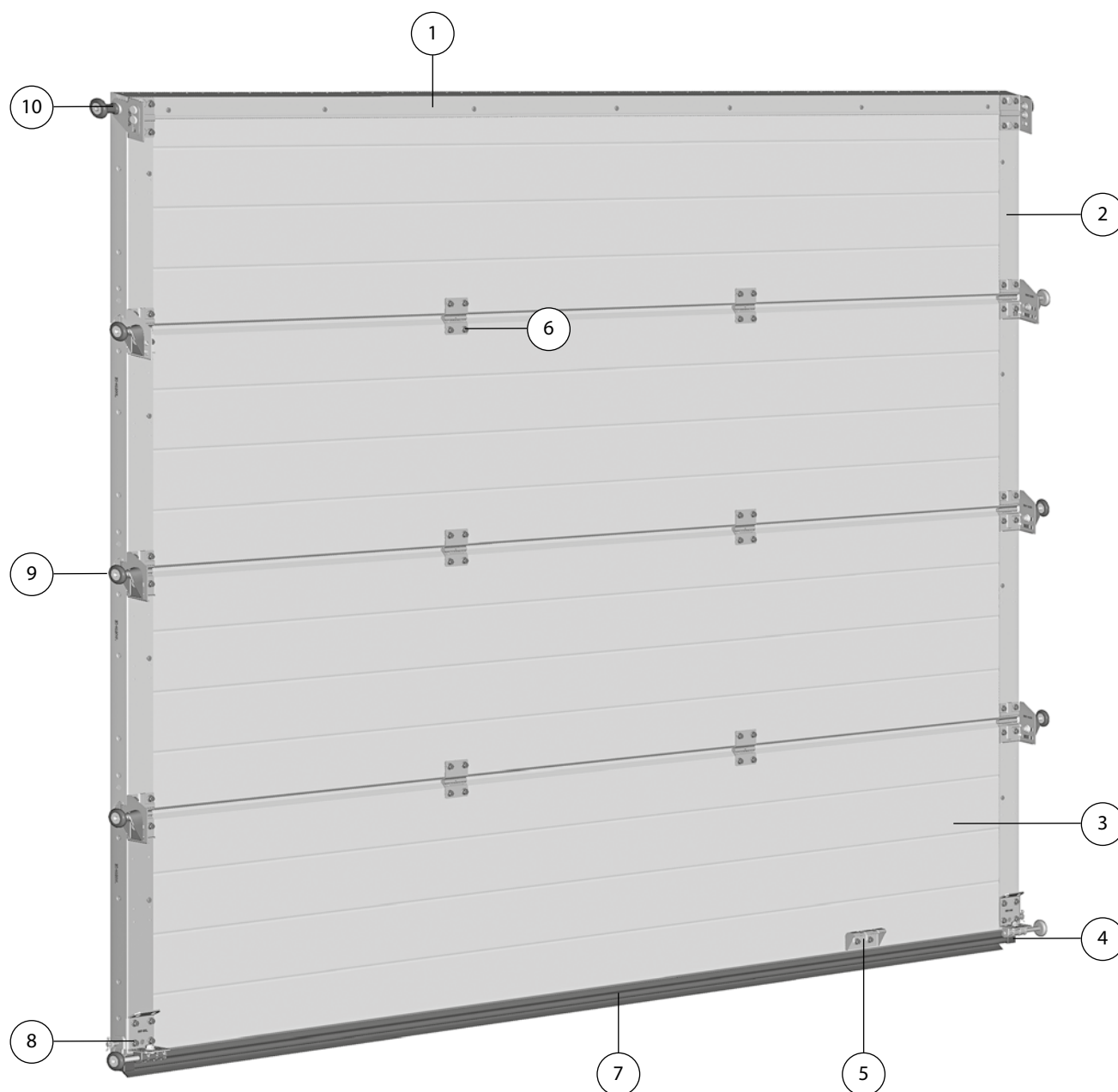
3

4

1.2

Полотно ворот

ТИПОВАЯ КОНСТРУКЦИЯ ПОЛОТНА ГАРАЖНЫХ ВОРОТ СЕРИИ TREND



№	Наименование
1	Профиль концевой (верхний)
2	Накладка боковая
3	Сэндвич-панель
4	Упор нижний
5	Ручка

№	Наименование
6	Петля промежуточная
7	Вставка уплотнительная (нижняя)
8	Кронштейн нижний
9	Кронштейн боковой
10	Кронштейн верхний

1.1

1.2

1.3

1.4

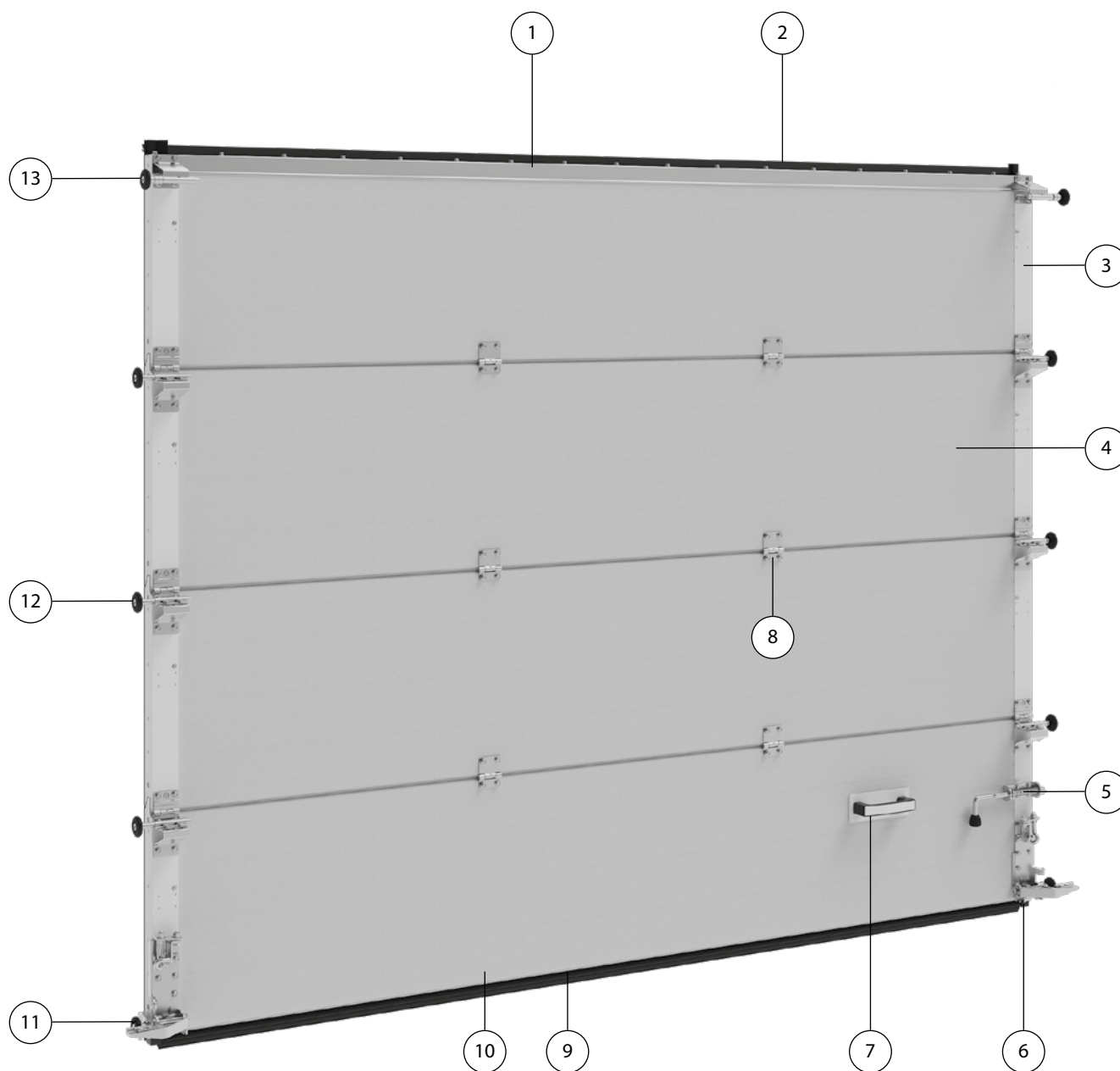
1.5

2

3

4

ТИПОВАЯ КОНСТРУКЦИЯ ПОЛОТНА ПРОМЫШЛЕННЫХ ВОРОТ СЕРИИ PROTREND



№	Наименование
1	Профиль концевой (верхний)
2	Вставка уплотнительная (верхняя)
3	Накладка боковая
4	Сэндвич-панель
5	Засов

№	Наименование
6	Упор нижний
7	Ручка
8	Петля промежуточная
9	Вставка уплотнительная (нижняя)
10	Профиль концевой (нижний)

№	Наименование
11	Кронштейн роликовый нижний
12	Кронштейн роликовый боковой
13	Кронштейн роликовый верхний

КОНСТРУКЦИЯ СЭНДВИЧ-ПАНЕЛИ ТОЛЩИНОЙ 40 ММ С ЗАЩИТОЙ ОТ ЗАЩЕМЛЕНИЯ ПАЛЬЦЕВ



1.1

1.2

1.3

1.4

1.5

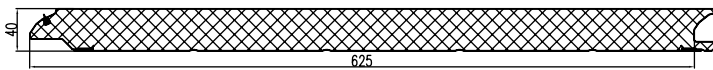
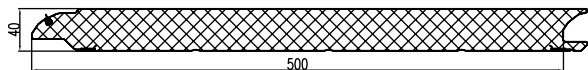
2

3

4

СЭНДВИЧ-ПАНЕЛИ С РИСУНКОМ МИКРОВОЛНА

СТРУКТУРА ПОВЕРХНОСТИ WOODGRAIN



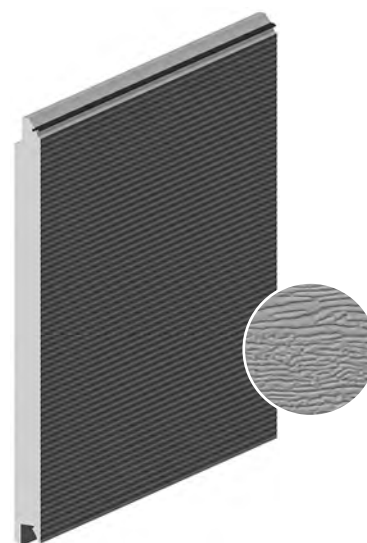
Панель воротная

Наружная сторона: структура поверхности woodgrain с рисунком микроволна.

Внутренняя сторона: структура поверхности woodgrain с горизонтальными полосами, цвет — бело-серый (близкий RAL 9002).

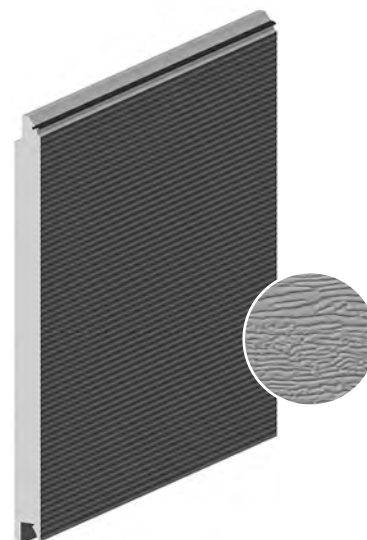
Высота панели, мм	500
Толщина панели, мм	40
Вес, кг/м	4,51
Единица измерения	м

Артикул	Код	Цвет*	Длина, м	Норма поставки, м
MW40.1.01-500	401043312	RAL 9016	12,2	305,0
MW40.1.02-500	401043417	RAL 8014		
MW40.1.03-500	401040811	RAL 9006		
MW40.1.04-500	401040414	RAL 5010		
MW40.1.09-500	401040921	RAL 6005		
MW40.1.10-500	401040820	RAL 1015		
MW40.1.12-500	401041313	RAL 3004		
MW40.1.14-500	401040928	ADS703		
MW40.1.16-500	401041129	RAL 7016		
MW40.1.20-500	401042019	RAL 8017		



Высота панели, мм	625
Толщина панели, мм	40
Вес, кг/м	5,38
Единица измерения	м

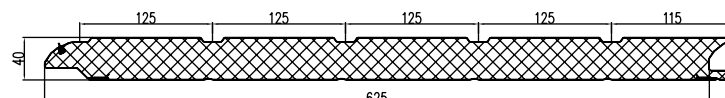
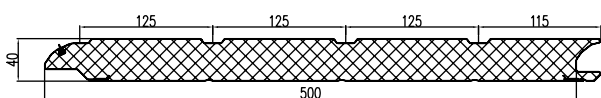
Артикул	Код	Цвет*	Длина, м	Норма поставки, м
MW40.1.01-625	401090512	RAL 9016	12,2	305,0
MW40.1.02-625	401090417	RAL 8014		
MW40.1.03-625	401090611	RAL 9006		
MW40.1.04-625	401090514	RAL 5010		
MW40.1.09-625	401090521	RAL 6005		
MW40.1.10-625	401090520	RAL 1015		
MW40.1.12-625	401091013	RAL 3004		
MW40.1.14-625	401090428	ADS703		
MW40.1.16-625	401090429	RAL 7016		
MW40.1.20-625	401091619	RAL 8017		



* Указанные в формате RAL **** цвета имеют близкое соответствие шкале RAL.

СЭНДВИЧ-ПАНЕЛИ С РИСУНКОМ S-ГОФР

СТРУКТУРА ПОВЕРХНОСТИ WOODGRAIN



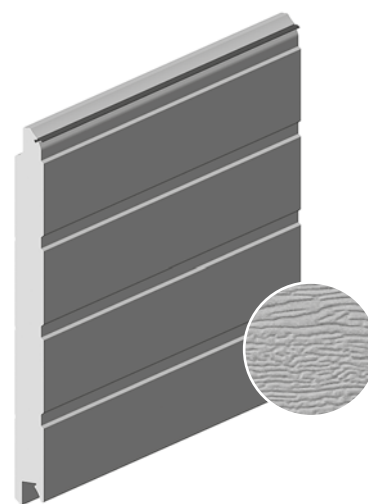
Панель воротная

Наружная сторона: структура поверхности woodgrain с рисунком S-гофр (узкий гофр).

Внутренняя сторона: структура поверхности woodgrain с горизонтальными полосами, цвет — бело-серый (близкий RAL 9002).

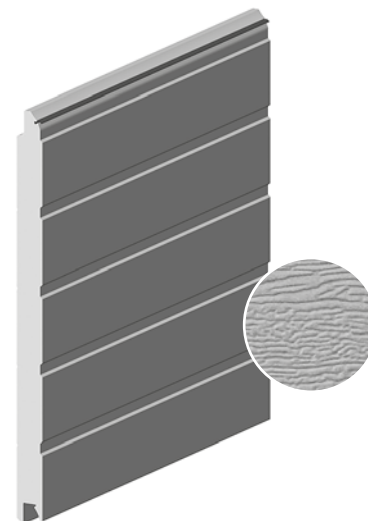
Высота панели, мм	500
Толщина панели, мм	40
Вес, кг/м	4,53
Единица измерения	м

Артикул	Код	Цвет*	Длина, м	Норма поставки, м
RS40.1.01-500	401043412	RAL 9016	12,2	305,0
RS40.1.02-500	401043517	RAL 8014		
RS40.1.03-500	401040911	RAL 9006		
RS40.1.04-500	401040514	RAL 5010		
RS40.1.09-500	401041021	RAL 6005		
RS40.1.10-500	401040920	RAL 1015		
RS40.1.11-500	409000732	RAL 7004		
RS40.1.12-500	401041213	RAL 3004		
RS40.1.14-500	401041028	ADS703		
RS40.1.16-500	401041229	RAL 7016		
RS40.1.18-500	409000667	RAL 9005		
RS40.1.20-500	401042119	RAL 8017		
RS40.1.27-500	409000730	RAL 7024		



Высота панели, мм	625
Толщина панели, мм	40
Вес, кг/м	5,47
Единица измерения	м

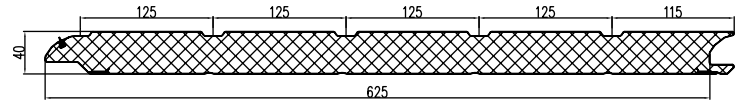
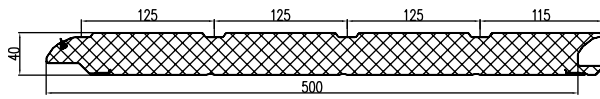
Артикул	Код	Цвет*	Длина, м	Норма поставки, м
RS40.1.01-625	401090612	RAL 9016	12,2	305,0
RS40.1.02-625	401090517	RAL 8014		
RS40.1.03-625	401090711	RAL 9006		
RS40.1.04-625	401090614	RAL 5010		
RS40.1.09-625	401090621	RAL 6005		
RS40.1.10-625	401090620	RAL 1015		
RS40.1.11-625	409000733	RAL 7004		
RS40.1.12-625	401091113	RAL 3004		
RS40.1.14-625	401090528	ADS703		
RS40.1.16-625	401090529	RAL 7016		
RS40.1.18-625	409000668	RAL 9005		
RS40.1.20-625	401091719	RAL 8017		
RS40.1.27-625	409000731	RAL 7024		



* Указанные в формате RAL **** цвета имеют близкое соответствие шкале RAL.

СЭНДВИЧ-ПАНЕЛИ С РИСУНКОМ S-ГОФР

СТРУКТУРА ПОВЕРХНОСТИ ГЛАДКАЯ



Панель воротная

Наружная сторона: гладкая с рисунком S-гофр (узкий гофр).

Внутренняя сторона: структура поверхности woodgrain с горизонтальными полосами, цвет — бело-серый (близкий RAL 9002).

Высота панели, мм	500
Толщина панели, мм	40
Вес, кг/м	5,20
Единица измерения	м

Артикул	Код	Цвет	Длина, м	Норма поставки, м
RS40.0.05-500	401043705	Golden Oak	12,2	305,0
RS40.0.06-500	401044806	Dark Oak		



Высота панели, мм	625
Толщина панели, мм	40
Вес, кг/м	6,24
Единица измерения	м

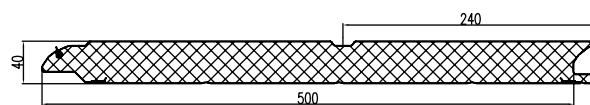
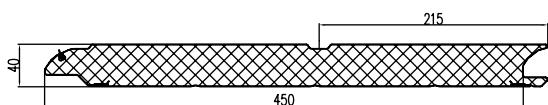
Артикул	Код	Цвет	Длина, м	Норма поставки, м
RS40.0.05-625	401090505	Golden Oak	12,2	305,0
RS40.0.06-625	401090506	Dark Oak		



* Указанные в формате RAL **** цвета имеют близкое соответствие шкале RAL.

СЭНДВИЧ-ПАНЕЛИ С РИСУНКОМ М-ГОФР

СТРУКТУРА ПОВЕРХНОСТИ WOODGRAIN



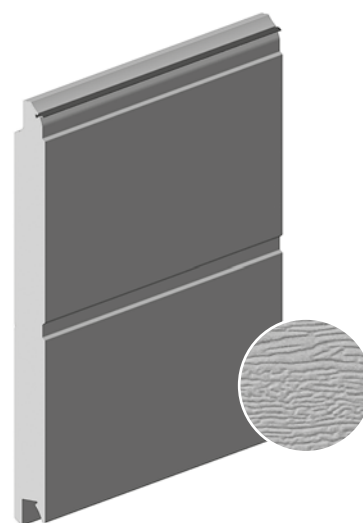
Панель воротная

Наружная сторона: структура поверхности woodgrain с рисунком М-гофр (средний гофр).

Внутренняя сторона: структура поверхности woodgrain с горизонтальными полосами, цвет — бело-серый (близкий RAL 9002).

Толщина панели, мм 40
Единица измерения м

Артикул	Код	Цвет*	Высота панели, мм	Вес, кг/м	Длина, м	Норма поставки, м
RM40.1.01-450	401022012	RAL 9016	450	4,34	12,2	305,0
RM40.1.01-500	401043512		500	4,59		
RM40.1.18-450	409000159	RAL 9005	450	4,34		
RM40.1.18-500	409000163		500	4,59		
RM40.1.20-450	409000463	RAL 8017	450	4,34		
RM40.1.20-500	409000464		500	4,59		



СТРУКТУРА ПОВЕРХНОСТИ ГЛАДКАЯ

Толщина панели, мм 40
Единица измерения м

Артикул	Код	Цвет*	Высота панели, мм	Вес, кг/м	Длина, м	Норма поставки, м
RM40.0.01-450	401022112	RAL 9016	450	4,73	12,2	305,0
RM40.0.01-500	401043612		500	5,10		
RM40.0.05-450	401023305	Golden Oak	450	4,83		
RM40.0.05-500	401043805		500	5,19		
RM40.0.06-450	401024306	Dark Oak	450	4,83		
RM40.0.06-500	401044906		500	5,19		
RM40.0.16-450	401020629	RAL 7016	450	4,73		
RM40.0.16-500	401041329	500	5,10			
RM40.0.27-450	409000734	RAL 7024	450	4,73		
RM40.0.27-500	409000735		500	5,10		

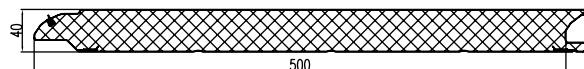
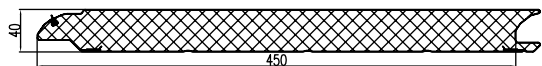


Golden Oak Dark Oak

* Указанные в формате RAL **** цвета имеют близкое соответствие шкале RAL.

СЭНДВИЧ-ПАНЕЛИ С РИСУНКОМ L-ГОФР

СТРУКТУРА ПОВЕРХНОСТИ WOODGRAIN



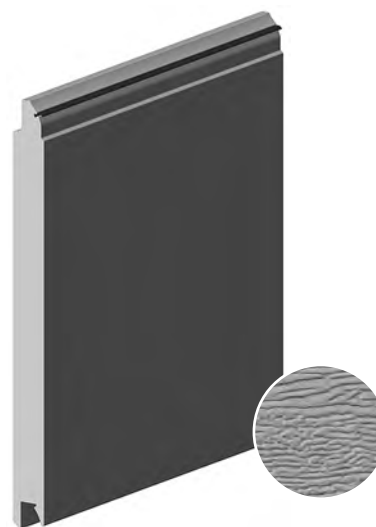
Панель воротная

Наружная сторона: структура поверхности woodgrain с рисунком L-гофр (широкий гофр).

Внутренняя сторона: структура поверхности woodgrain с горизонтальными полосами, цвет — бело-серый (близкий RAL 9002).

Толщина панели, мм 40
Единица измерения м

Артикул	Код	Цвет*	Высота панели, мм	Вес, кг/м	Длина, м	Норма поставки, м
RL40.1.01-450	401022212	RAL 9016	450	4,41	12,2	305,0
RL40.1.01-500	401043712		500	4,57		
RL40.1.18-450	409000168	RAL 9005	450	4,41		
RL40.1.18-500	409000166		500	4,57		
RL40.1.20-450	409000738	RAL 8017	450	4,41		
RL40.1.20-500	409000739		500	4,57		



СТРУКТУРА ПОВЕРХНОСТИ ГЛАДКАЯ

Толщина панели, мм 40
Единица измерения м

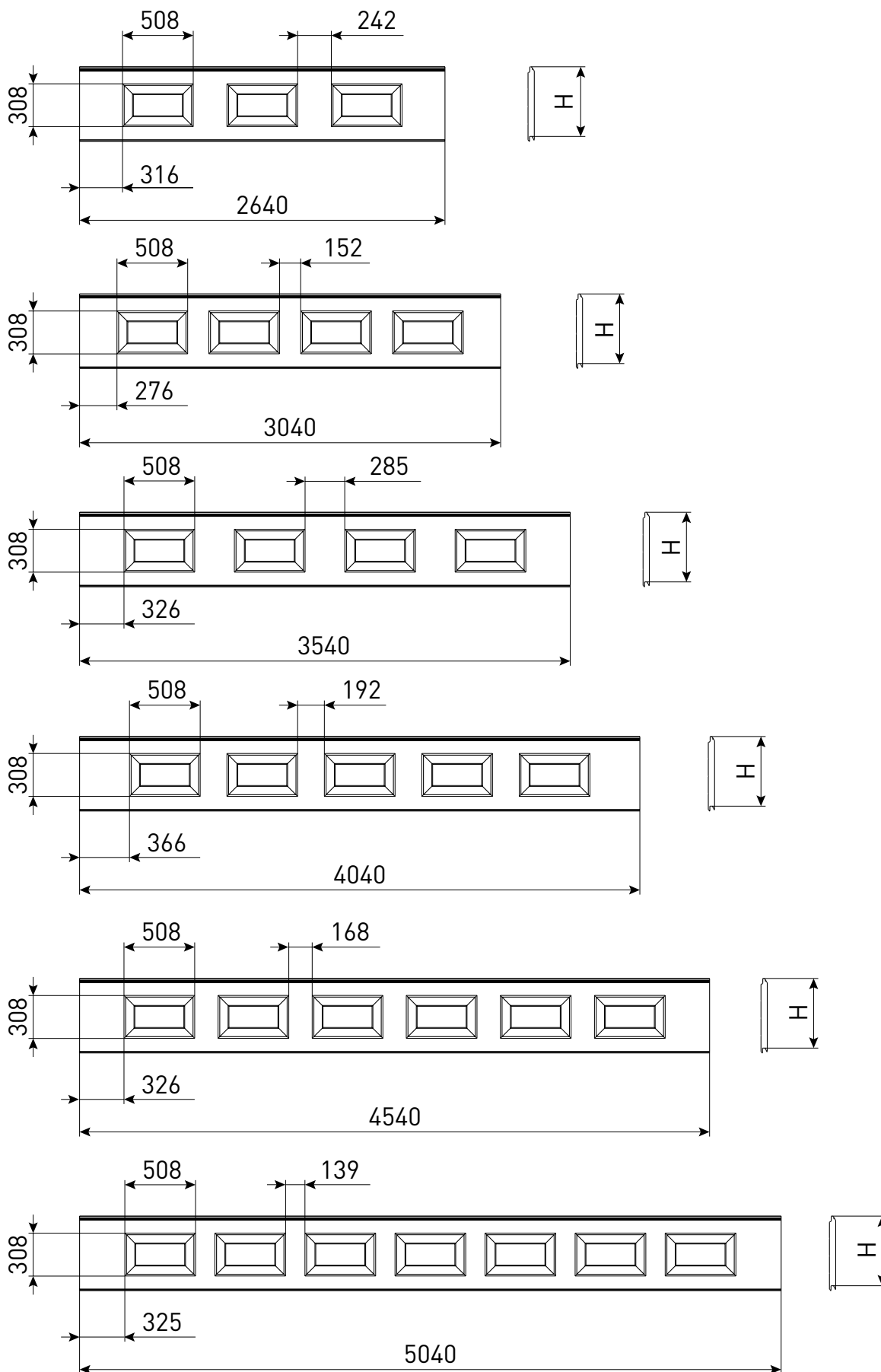
Артикул	Код	Цвет*	Высота панели, мм	Вес, кг/м	Длина, м	Норма поставки, м
RL40.0.01-450	401022312	RAL 9016	450	4,73	12,2	305,0
RL40.0.01-500	401043812		500	5,07		
RL40.0.05-450	401023405	Golden Oak	450	4,79		
RL40.0.05-500	401043905		500	5,17		
RL40.0.06-450	401024406	Dark Oak	450	4,79		
RL40.0.06-500	401045006		500	5,17		
RL40.0.14-450	401020128	ADS703	450	4,73		
RL40.0.14-500	401041128		500	5,07		
RL40.0.16-450	401020729	RAL 7016	450	4,73		
RL40.0.16-500	401041429		500	5,07		
RL40.0.18-450	409000158	RAL 9005	450	4,73		
RL40.0.18-500	409000165		500	5,07		
RL40.0.20-450	409000744	RAL 8017	450	4,73		
RL40.0.20-500	409000745		500	5,07		
RL40.0.27-450	409000741	RAL 7024	450	4,73		
RL40.0.27-500	409000742		500	5,07		



* Указанные в формате RAL **** цвета имеют близкое соответствие шкале RAL.

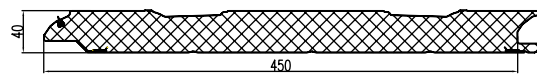
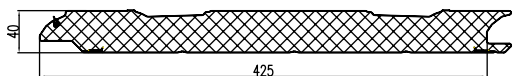
СЭНДВИЧ-ПАНЕЛИ С РИСУНКОМ ФИЛЕНКА

СХЕМАТИЧЕСКОЕ ИЗОБРАЖЕНИЕ



СЭНДВИЧ-ПАНЕЛИ С РИСУНКОМ ФИЛЕНКА

СТРУКТУРА ПОВЕРХНОСТИ WOODGRAIN



Панель воротная

Наружная сторона: структура поверхности woodgrain с рисунком филенка.

Внутренняя сторона: структура поверхности woodgrain с горизонтальными полосами, цвет — бело-серый (близкий RAL 9002).

Высота панели, мм	425
Толщина панели, мм	40
Вес, кг/м	4,45
Единица измерения	м

Артикул	Код	Цвет*	Длина, м	Норма поставки, м
СТ40.1.01-425-2640	409000466	RAL 9016	2,640	66,00
СТ40.1.01-425-3040	409000467		3,040	76,00
СТ40.1.01-425-3540	409000468		3,540	88,50
СТ40.1.01-425-4040	409000469		4,040	101,00
СТ40.1.01-425-4540	409000470		4,540	113,50
СТ40.1.01-425-5040	401011312		5,040	110,88
СТ40.1.02-425-2640	409000491	RAL 8014	2,640	66,00
СТ40.1.02-425-3040	409000492		3,040	76,00
СТ40.1.02-425-3540	409000493		3,540	88,50
СТ40.1.02-425-4040	409000494		4,040	101,00
СТ40.1.02-425-4540	409000495		4,540	113,50
СТ40.1.02-425-5040	401012617		5,040	110,88



Высота панели, мм	450
Толщина панели, мм	40
Вес, кг/м	4,65
Единица измерения	м

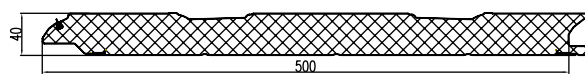
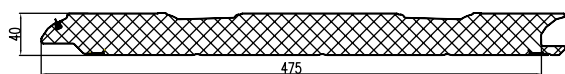
Артикул	Код	Цвет*	Длина, м	Норма поставки, м
СТ40.1.01-450-2640	409000471	RAL 9016	2,640	66,00
СТ40.1.01-450-3040	409000472		3,040	76,00
СТ40.1.01-450-3540	409000473		3,540	88,50
СТ40.1.01-450-4040	409000474		4,040	101,00
СТ40.1.01-450-4540	409000475		4,540	113,50
СТ40.1.01-450-5040	401022612		5,040	110,88
СТ40.1.02-450-2640	409000496	RAL 8014	2,640	66,00
СТ40.1.02-450-3040	409000497		3,040	76,00
СТ40.1.02-450-3540	409000498		3,540	88,50
СТ40.1.02-450-4040	409000499		4,040	101,00
СТ40.1.02-450-4540	409000500		4,540	113,50
СТ40.1.02-450-5040	401023317		5,040	110,88



* Указанные в формате RAL **** цвета имеют близкое соответствие шкале RAL.

СЭНДВИЧ-ПАНЕЛИ С РИСУНКОМ ФИЛЕНКА

СТРУКТУРА ПОВЕРХНОСТИ WOODGRAIN



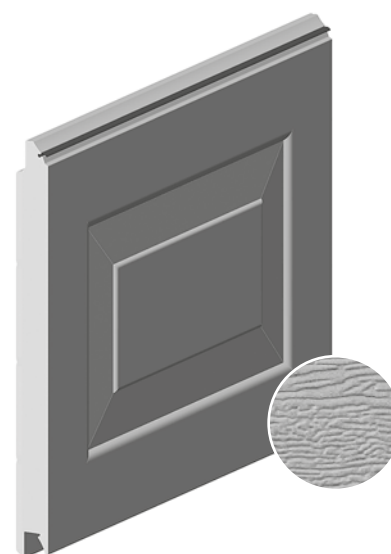
Панель воротная

Наружная сторона: структура поверхности woodgrain с рисунком филенка.

Внутренняя сторона: структура поверхности woodgrain с горизонтальными полосами, цвет — бело-серый (близкий RAL 9002).

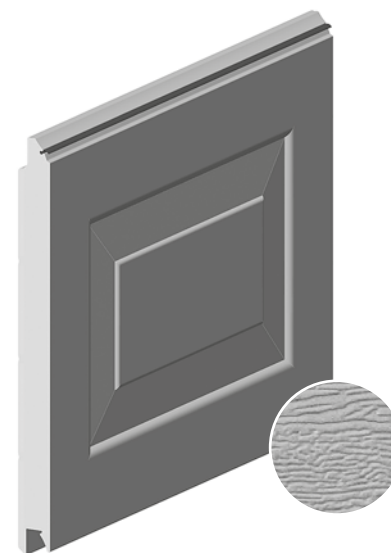
Высота панели, мм	475
Толщина панели, мм	40
Вес, кг/м	4,85
Единица измерения	м

Артикул	Код	Цвет*	Длина, м	Норма поставки, м
СТ40.1.01-475-2640	409000476	RAL 9016	2,640	66,00
СТ40.1.01-475-3040	409000477		3,040	76,00
СТ40.1.01-475-3540	409000478		3,540	88,50
СТ40.1.01-475-4040	409000479		4,040	101,00
СТ40.1.01-475-4540	409000480		4,540	113,50
СТ40.1.01-475-5040	401031112		5,040	110,88
СТ40.1.02-475-2640	409000501	RAL 8014	2,640	66,00
СТ40.1.02-475-3040	409000502		3,040	76,00
СТ40.1.02-475-3540	409000503		3,540	88,50
СТ40.1.02-475-4040	409000504		4,040	101,00
СТ40.1.02-475-4540	409000505		4,540	113,50
СТ40.1.02-475-5040	401032317		5,040	110,88



Высота панели, мм	500
Толщина панели, мм	40
Вес, кг/м	5,05
Единица измерения	м

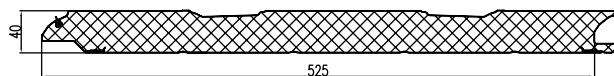
Артикул	Код	Цвет*	Длина, м	Норма поставки, м
СТ40.1.01-500-2640	409000481	RAL 9016	2,640	66,00
СТ40.1.01-500-3040	409000482		3,040	76,00
СТ40.1.01-500-3540	409000483		3,540	88,50
СТ40.1.01-500-4040	409000484		4,040	101,00
СТ40.1.01-500-4540	409000485		4,540	113,50
СТ40.1.01-500-5040	401044112		5,040	110,88
СТ40.1.02-500-2640	409000506	RAL 8014	2,640	66,00
СТ40.1.02-500-3040	409000507		3,040	76,00
СТ40.1.02-500-3540	409000508		3,540	88,50
СТ40.1.02-500-4040	409000509		4,040	101,00
СТ40.1.02-500-4540	409000510		4,540	113,50
СТ40.1.02-500-5040	401044017		5,040	110,88



* Указанные в формате RAL **** цвета имеют близкое соответствие шкале RAL.

СЭНДВИЧ-ПАНЕЛИ С РИСУНКОМ ФИЛЕНКА

СТРУКТУРА ПОВЕРХНОСТИ WOODGRAIN



Панель воротная

Наружная сторона: структура поверхности woodgrain с рисунком филенка.

Внутренняя сторона: структура поверхности woodgrain с горизонтальными полосами, цвет — бело-серый (близкий RAL 9002).

Высота панели, мм	525
Толщина панели, мм	40
Вес, кг/м	5,25
Единица измерения	м

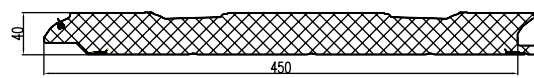
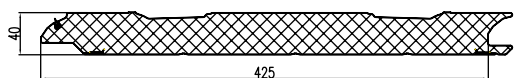
Артикул	Код	Цвет*	Длина, м	Норма поставки, м
СТ40.1.01-525-2640	409000486	RAL 9016	2,640	66,00
СТ40.1.01-525-3040	409000487		3,040	76,00
СТ40.1.01-525-3540	409000488		3,540	88,50
СТ40.1.01-525-4040	409000489		4,040	101,00
СТ40.1.01-525-4540	409000490		4,540	113,50
СТ40.1.01-525-5040	401051112		5,040	110,88
СТ40.1.02-525-2640	409000511	RAL 8014	2,640	66,00
СТ40.1.02-525-3040	409000512		3,040	76,00
СТ40.1.02-525-3540	409000513		3,540	88,50
СТ40.1.02-525-4040	409000514		4,040	101,00
СТ40.1.02-525-4540	409000515		4,540	113,50
СТ40.1.02-525-5040	401052317		5,040	110,88



* Указанные в формате RAL **** цвета имеют близкое соответствие шкале RAL.

СЭНДВИЧ-ПАНЕЛИ С РИСУНКОМ ФИЛЕНКА

СТРУКТУРА ПОВЕРХНОСТИ WOODGRAIN



Панель воротная

Наружная сторона: структура поверхности woodgrain с рисунком филленка.

Внутренняя сторона: структура поверхности woodgrain с горизонтальными полосами, цвет — бело-серый (близкий RAL 9002).

Высота панели, мм	425
Толщина панели, мм	40
Вес, кг/м	4,55
Единица измерения	м

Артикул	Код	Цвет	Длина, м	Норма поставки, м
СТ40.1.05-425-2640	409000516	Golden Oak	2,640	66,00
СТ40.1.05-425-3040	409000517		3,040	76,00
СТ40.1.05-425-3540	409000518		3,540	88,50
СТ40.1.05-425-4040	409000519		4,040	101,00
СТ40.1.05-425-4540	409000520		4,540	113,50
СТ40.1.05-425-5040	401013005		5,040	110,88
СТ40.1.06-425-2640	409000541	Dark Oak	2,640	66,00
СТ40.1.06-425-3040	409000542		3,040	76,00
СТ40.1.06-425-3540	409000543		3,540	88,50
СТ40.1.06-425-4040	409000544		4,040	101,00
СТ40.1.06-425-4540	409000545		4,540	113,50
СТ40.1.06-425-5040	401013506		5,040	110,88



Golden Oak Dark Oak

Высота панели, мм	450
Толщина панели, мм	40
Вес, кг/м	4,76
Единица измерения	м

Артикул	Код	Цвет	Длина, м	Норма поставки, м
СТ40.1.05-450-2640	409000521	Golden Oak	2,640	66,00
СТ40.1.05-450-3040	409000522		3,040	76,00
СТ40.1.05-450-3540	409000523		3,540	88,50
СТ40.1.05-450-4040	409000524		4,040	101,00
СТ40.1.05-450-4540	409000525		4,540	113,50
СТ40.1.05-450-5040	401023705		5,040	110,88
СТ40.1.06-450-2640	409000546	Dark Oak	2,640	66,00
СТ40.1.06-450-3040	409000547		3,040	76,00
СТ40.1.06-450-3540	409000548		3,540	88,50
СТ40.1.06-450-4040	409000549		4,040	101,00
СТ40.1.06-450-4540	409000550		4,540	113,50
СТ40.1.06-450-5040	401024706		5,040	110,88

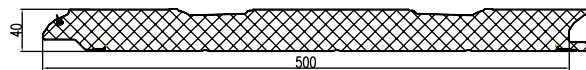
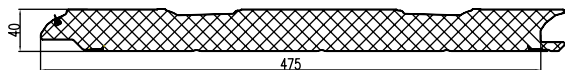


Golden Oak Dark Oak

* Указанные в формате RAL **** цвета имеют близкое соответствие шкале RAL.

СЭНДВИЧ-ПАНЕЛИ С РИСУНКОМ ФИЛЕНКА

СТРУКТУРА ПОВЕРХНОСТИ WOODGRAIN



Панель воротная

Наружная сторона: структура поверхности woodgrain с рисунком филенка.

Внутренняя сторона: структура поверхности woodgrain с горизонтальными полосами, цвет — бело-серый (близкий RAL 9002).

Высота панели, мм	475
Толщина панели, мм	40
Вес, кг/м	4,96
Единица измерения	м

Артикул	Код	Цвет	Длина, м	Норма поставки, м
СТ40.1.05-475-2640	409000526	Golden Oak	2,640	66,00
СТ40.1.05-475-3040	409000527		3,040	76,00
СТ40.1.05-475-3540	409000528		3,540	88,50
СТ40.1.05-475-4040	409000529		4,040	101,00
СТ40.1.05-475-4540	409000530		4,540	113,50
СТ40.1.05-475-5040	401032405		5,040	110,88
СТ40.1.06-475-2640	409000551	Dark Oak	2,640	66,00
СТ40.1.06-475-3040	409000552		3,040	76,00
СТ40.1.06-475-3540	409000553		3,540	88,50
СТ40.1.06-475-4040	409000554		4,040	101,00
СТ40.1.06-475-4540	409000555		4,540	113,50
СТ40.1.06-475-5040	401033706		5,040	110,88



Golden Oak Dark Oak

Высота панели, мм	500
Толщина панели, мм	40
Вес, кг/м	5,16
Единица измерения	м

Артикул	Код	Цвет	Длина, м	Норма поставки, м
СТ40.1.05-500-2640	409000531	Golden Oak	2,640	66,00
СТ40.1.05-500-3040	409000532		3,040	76,00
СТ40.1.05-500-3540	409000533		3,540	88,50
СТ40.1.05-500-4040	409000534		4,040	101,00
СТ40.1.05-500-4540	409000535		4,540	113,50
СТ40.1.05-500-5040	401044205		5,040	110,88
СТ40.1.06-500-2640	409000556	Dark Oak	2,640	66,00
СТ40.1.06-500-3040	409000557		3,040	76,00
СТ40.1.06-500-3540	409000558		3,540	88,50
СТ40.1.06-500-4040	409000559		4,040	101,00
СТ40.1.06-500-4540	409000560		4,540	113,50
СТ40.1.06-500-5040	401045306		5,040	110,88

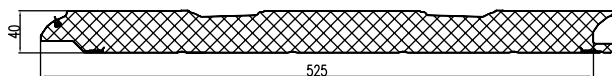


Golden Oak Dark Oak

* Указанные в формате RAL **** цвета имеют близкое соответствие шкале RAL.

СЭНДВИЧ-ПАНЕЛИ С РИСУНКОМ ФИЛЕНКА

СТРУКТУРА ПОВЕРХНОСТИ WOODGRAIN



Панель воротная

Наружная сторона: структура поверхности woodgrain с рисунком филленка.

Внутренняя сторона: структура поверхности woodgrain с горизонтальными полосами, цвет — бело-серый (близкий RAL 9002).

Высота панели, мм	525
Толщина панели, мм	40
Вес, кг/м	5,37
Единица измерения	м

Артикул	Код	Цвет	Длина, м	Норма поставки, м
СТ40.1.05-525-2640	409000536	Golden Oak	2,640	66,00
СТ40.1.05-525-3040	409000537		3,040	76,00
СТ40.1.05-525-3540	409000538		3,540	88,50
СТ40.1.05-525-4040	409000539		4,040	101,00
СТ40.1.05-525-4540	409000540		4,540	113,50
СТ40.1.05-525-5040	401052705		5,040	110,88
СТ40.1.06-525-2640	409000561	Dark Oak	2,640	66,00
СТ40.1.06-525-3040	409000562		3,040	76,00
СТ40.1.06-525-3540	409000563		3,540	88,50
СТ40.1.06-525-4040	409000564		4,040	101,00
СТ40.1.06-525-4540	409000565		4,540	113,50
СТ40.1.06-525-5040	401053306		5,040	110,88



Golden Oak Dark Oak

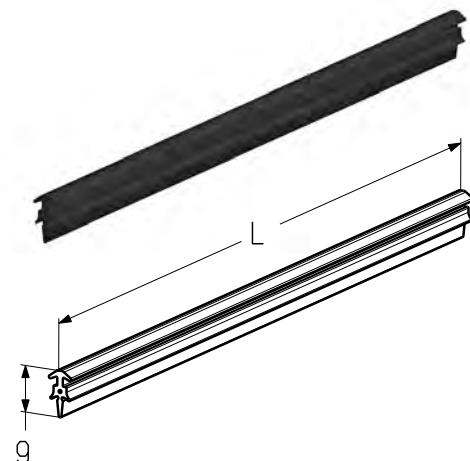
ВСТАВКА УПЛОТНИТЕЛЬНАЯ

Вставка уплотнительная

Предназначена для установки совместно с сэндвич-панелями всех типов.

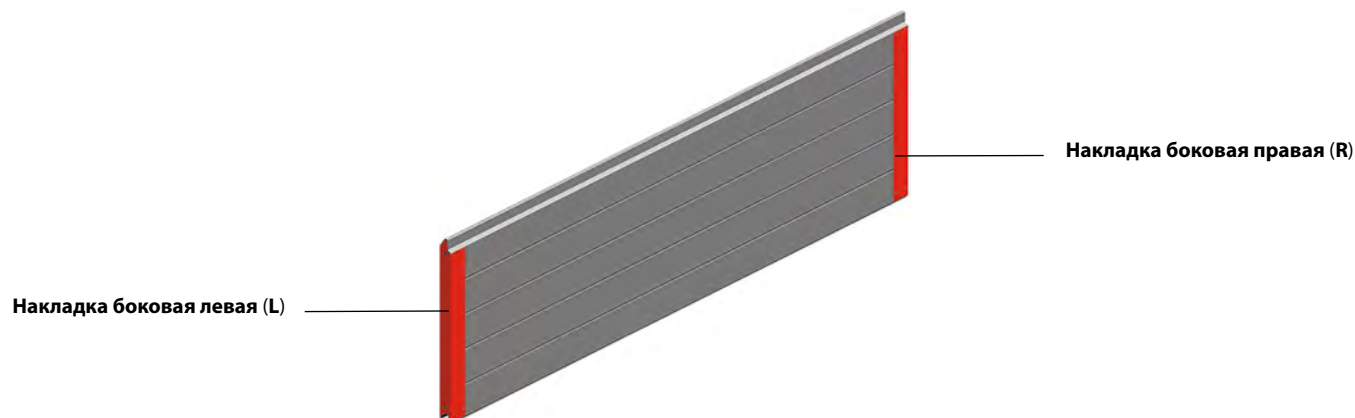
Материал EPDM
 Вес, кг/м 0,13
 Единица измерения м
 Норма поставки, м 2000

Артикул	Код
RSP16	401530600



НАКЛАДКИ БОКОВЫЕ

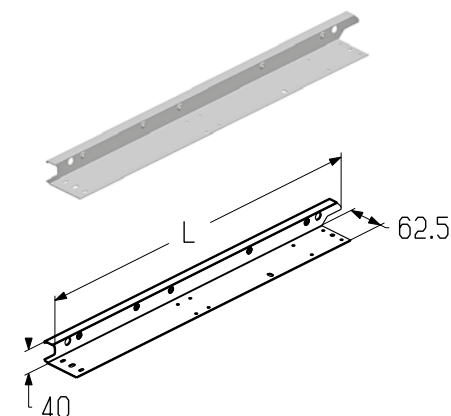
УСТАНОВКА НАКЛАДОК БОКОВЫХ



Накладка боковая

Предназначена для установки на торцы сэндвич-панели.
Используется в гаражных воротах с торсионными пружинами и пружинами растяжения, промышленных воротах шириной до 5000 мм.

Материал оцинкованная сталь
 Покрытие полимерное
 Цвет бело-серый (близкий RAL 9002)
 Толщина, мм 1
 Единица измерения шт.

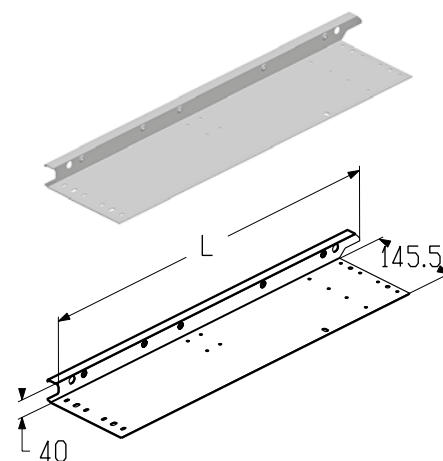


Артикул	Код	Длина (L), мм	Вес, кг/шт.	Норма поставки, шт.
ЕС-40.425L	401310310	425	0,38	42
ЕС-40.425R	401310410			
ЕС-40.450L	401320510	450	0,40	
ЕС-40.450R	401320610			
ЕС-40.475L	401330310	475	0,43	
ЕС-40.475R	401330410			
ЕС-40.500L	401340710	500	0,45	
ЕС-40.500R	401340810			
ЕС-40.525L	401350310	525	0,47	
ЕС-40.525R	401350410			
ЕС-40.625L	401390710	625	0,57	
ЕС-40.625R	401390810			

Накладка боковая

Предназначена для установки на торцы сэндвич-панели.
Используется в гаражных воротах с торсионными пружинами и промышленных воротах шириной более 5000 мм.

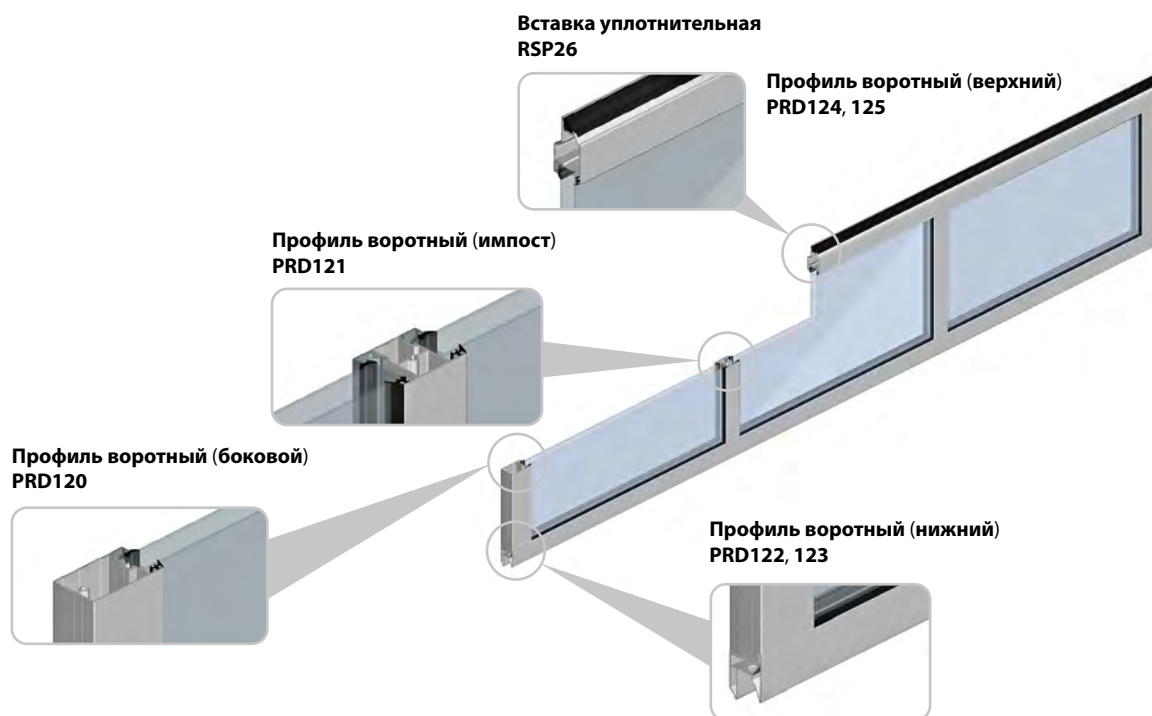
Материал оцинкованная сталь
 Покрытие полимерное
 Цвет бело-серый (близкий RAL 9002)
 Толщина, мм 1
 Единица измерения шт.



Артикул	Код	Длина (L), мм	Вес, кг/шт.	Норма поставки, шт.
ЕС-40.450DL	401320710	450	0,67	36
ЕС-40.450DR	401320810			
ЕС-40.500DL	401340910	500	0,75	
ЕС-40.500DR	401341010			
ЕС-40.625DL	401390910	625	0,95	33
ЕС-40.625DR	401391010			

АЛЮМИНИЕВЫЕ ПРОФИЛИ ДЛЯ ПАНОРАМНЫХ ПАНЕЛЕЙ

ТИПОВАЯ КОНСТРУКЦИЯ
ПАНОРАМНОЙ ПАНЕЛИ ALUTREND



АЛЮМИНИЕВЫЕ ПРОФИЛИ ДЛЯ ПАНОРАМНЫХ ПАНЕЛЕЙ

ТИПЫ ПАНОРАМНЫХ ПАНЕЛЕЙ И ВАРИАНТЫ ЗАПОЛНЕНИЯ
СЕРИЯ ALUTREND

Двойное SAN-остекление
26 мм



Одинарное SAN-остекление
2 мм



Композитное заполнение
26 мм



Композитное заполнение
3 мм



Решетчатое заполнение
4 мм

1.1

1.2

1.3

1.4

1.5

2

3

4

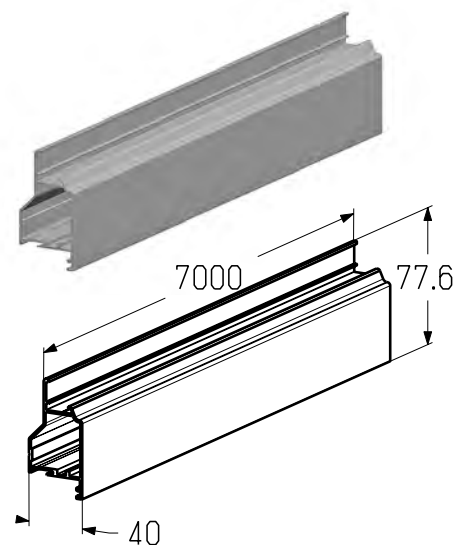
АЛЮМИНИЕВЫЕ ПРОФИЛИ ДЛЯ ПАНОРАМНЫХ ПАНЕЛЕЙ

Профиль воротный (верхний)

Используется для изготовления панорамных панелей AluTrend.
Применяется совместно с сэндвич-панелью с рисунком микроволна.

Материал	алюминий
Длина, мм	7000
Вес, кг/м	0,93
Единица измерения	м
Норма поставки, м	28

Артикул	Код	Цвет Степень блеска
PRD124	481009400	RAL 9016 30
	481009100	RAL 9006 30
	481009300	RAL 8017 30
	481009200	RAL 8014 30
	401110429	RAL 7016 30
	402982161	RAL 6005 30
	481009500	RAL 5010 30
	402982159	RAL 3004 30
	402982158	RAL 1015 30

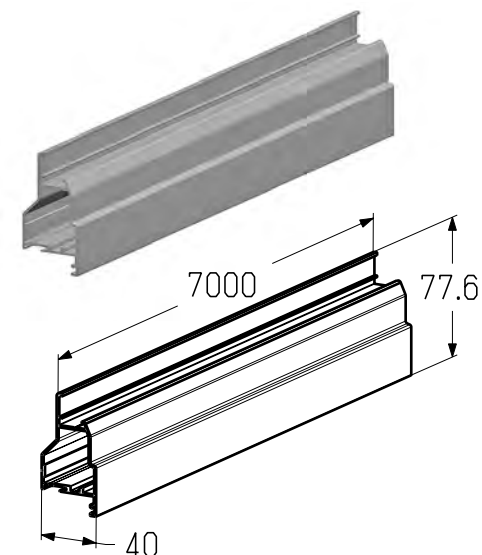


Профиль воротный (верхний)

Используется для изготовления панорамных панелей AluTrend.
Применяется совместно с сэндвич-панелью с рисунком S-гофр.

Материал	алюминий
Длина, мм	7000
Вес, кг/м	0,93
Единица измерения	м
Норма поставки, м	28

Артикул	Код	Цвет Степень блеска
PRD125	481009900	RAL 9016 30
	481009600	RAL 9006 30
	481009800	RAL 8017 30
	481009700	RAL 8014 30
	401110529	RAL 7016 30
	402982190	RAL 6005 30
	481010000	RAL 5010 30
	402982188	RAL 3004 30
	402982100	RAL 1015 30



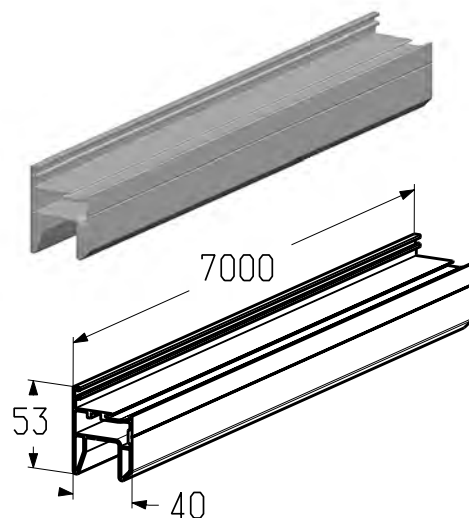
Профиль воротный (нижний)

Используется для изготовления панорамных панелей AluTrend. Применяется в панорамных воротах:

- шириной до 4000 мм;
- шириной от 5005 мм с установкой профиля усиливающего (PRG20).

Материал	алюминий
Длина, мм	7000
Вес, кг/м	0,98
Единица измерения	м
Норма поставки, м	28

Артикул	Код	Цвет Степень блеска
PRD122	481008400	RAL 9016 30
	481008100	RAL 9006 30
	481008300	RAL 8017 30
	481008200	RAL 8014 30
	401130329	RAL 7016 30
	402982103	RAL 6005 30
	481008500	RAL 5010 30
	402982101	RAL 3004 30
	402982100	RAL 1015 30



* Указанные в формате RAL **** цвета имеют близкое соответствие шкале RAL.

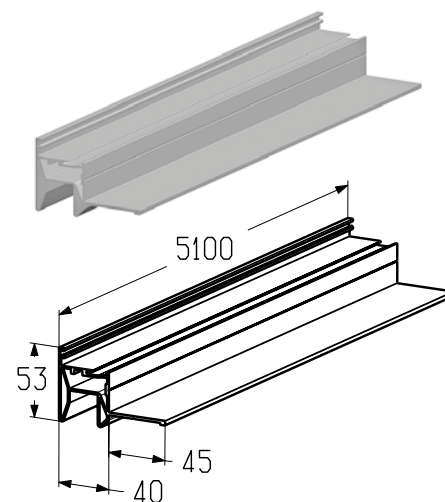
АЛЮМИНИЕВЫЕ ПРОФИЛИ ДЛЯ ПАНОРАМНЫХ ПАНЕЛЕЙ

Профиль воротный (нижний)

Используется для изготовления панорамных панелей AluTrend.
Применяется в панорамных воротах шириной от 4005 до 5000 мм.

Материал	алюминий
Длина, мм	5100
Вес, кг/м	1,29
Единица измерения	м
Норма поставки, м	20,4

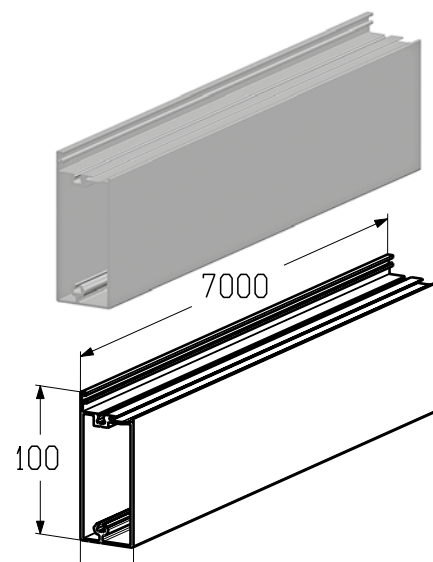
Артикул	Код	Цвет* Степень блеска
PRD123	481008900	RAL 9016 30
	481008600	RAL 9006 30
	481008800	RAL 8017 30
	481008700	RAL 8014 30
	401130429	RAL 7016 30
	402982132	RAL 6005 30
	481009000	RAL 5010 30
	402982130	RAL 3004 30
	402982129	RAL 1015 30

**Профиль воротный (боковой)**

Используется для изготовления панорамных панелей AluTrend.

Материал	алюминий
Длина, мм	7000
Вес, кг/м	1,74
Единица измерения	м
Норма поставки, м	14

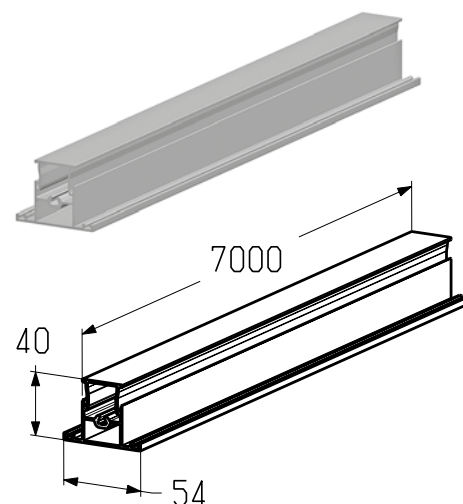
Артикул	Код	Цвет* Степень блеска
PRD120	481007400	RAL 9016 30
	481007100	RAL 9006 30
	481007300	RAL 8017 30
	481007200	RAL 8014 30
	401120229	RAL 7016 30
	402982045	RAL 6005 30
	481007500	RAL 5010 30
	402982043	RAL 3004 30
	402982042	RAL 1015 30

**Профиль воротный (импост)**

Используется для изготовления панорамных панелей AluTrend.

Материал	алюминий
Длина, мм	7000
Вес, кг/м	0,87
Единица измерения	м
Норма поставки, м	42

Артикул	Код	Цвет* Степень блеска
PRD121	481007900	RAL 9016 30
	481007600	RAL 9006 30
	481007800	RAL 8017 30
	481007700	RAL 8014 30
	401140229	RAL 7016 30
	402982074	RAL 6005 30
	481008000	RAL 5010 30
	402982072	RAL 3004 30
	402982071	RAL 1015 30



* Указанные в формате RAL **** цвета имеют близкое соответствие шкале RAL.

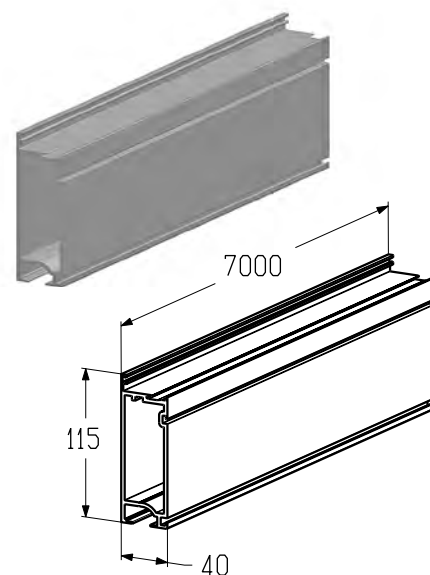
АЛЮМИНИЕВЫЕ ПРОФИЛИ ДЛЯ ПАНОРАМНЫХ ПАНЕЛЕЙ

Профиль воротный (нижний концевой)

Используется для изготовления панорамных панелей AluTrend.

Материал алюминий
 Длина, мм 7000
 Вес, кг/м 2,53
 Единица измерения м
 Норма поставки, м 14

Артикул	Код	Цвет* Степень блеска
PRD126	481010400	RAL 9016 30
	481010100	RAL 9006 30
	481010300	RAL 8017 30
	481010200	RAL 8014 30
	401110629	RAL 7016 30
	402982219	RAL 6005 30
	481010500	RAL 5010 30
	402982217	RAL 3004 30
	402982216	RAL 1015 30

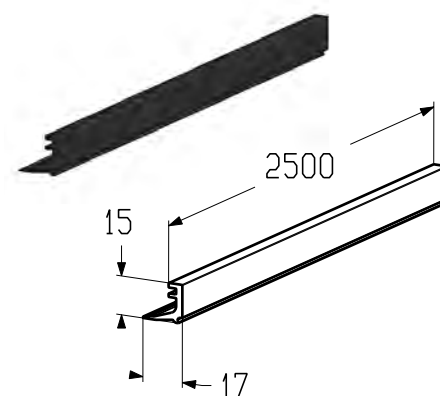


Профиль воротный (штапик)

Используется для изготовления панорамных панелей AluTrend совместно со светопрозрачными или композитными вставками толщиной 26 мм.

Материал RPVC
 Длина, мм 2500
 Вес, кг/м 0,01
 Единица измерения м
 Норма поставки, м 125

Артикул	Код
PRP01	401150130



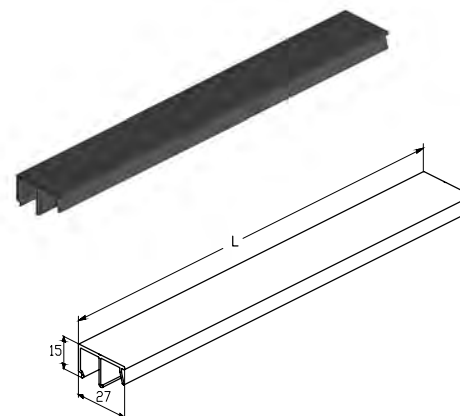
Профиль воротный (штапик)

Используется для изготовления панорамных панелей AluTrend совместно:

- с решеткой для панорамной панели стальной тянутой (GG-58);
- со светопрозрачными вставками толщиной 2 мм;
- с композитными панелями толщиной 3 мм.

Материал алюминий
 Длина, мм 6000
 Вес, кг/м 0,21
 Цвет RAL 9005|30
 Единица измерения м
 Норма поставки, м 300

Артикул	Код
PRD98	402982465



* Указанные в формате RAL **** цвета имеют близкое соответствие шкале RAL.

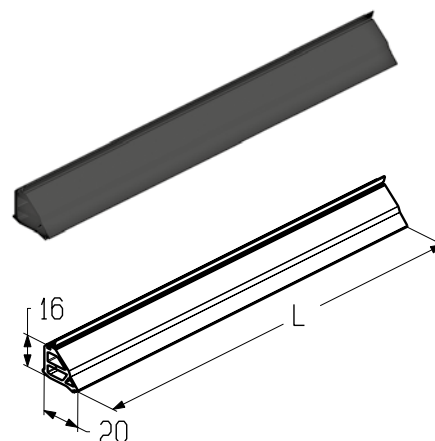
АЛЮМИНИЕВЫЕ ПРОФИЛИ ДЛЯ ПАНОРАМНЫХ ПАНЕЛЕЙ

Вставка уплотнительная

Используется для изготовления панорамных панелей AluTrend.
Предназначена для установки в профиль воротный верхний (PRD124, 125).

Материал	EPDM
Вес, кг/м	0,16
Единица измерения	м
Норма поставки, м	100

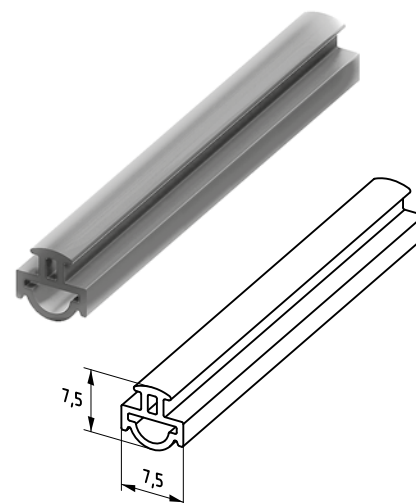
Артикул	Код
RSP26	401530700

**Уплотнитель резиновый**

Используется для изготовления панорамных панелей AluTrend.
Предназначен для установки с наружной стороны ворот совместно со светопрозрачной вставкой толщиной 26 мм, 2 мм или композитной вставкой толщиной 26 мм и 3 мм, решетками или перфорированными листами для заполнения панорамных секций.

Материал	EPDM
Вес, кг/м	0,05
Единица измерения	м
Норма поставки, м	500

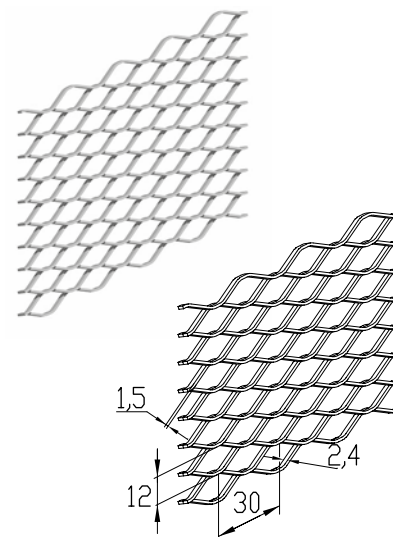
Артикул	Код
FRK07	10210600

**Решетка для панорамной панели стальная**

Используется для заполнения панорамных панелей AluTrend.

Материал	оцинкованная сталь
Толщина, мм	4,0
Вес, кг/м ²	4,78
Единица измерения	м ²
Норма поставки, м ²	3,125

Артикул	Код
GG-58	401192200



КРОНШТЕЙНЫ И ПЕТЛИ ДЛЯ СБОРКИ ПОЛОТНА ВОРОТ

УСТАНОВКА КРОНШТЕЙНА РОЛИКОВОГО ВЕРХНЕГО ДЛЯ ГАРАЖНЫХ ВОРОТ



Кронштейн роликовый верхний для гаражных ворот с пружинами растяжения



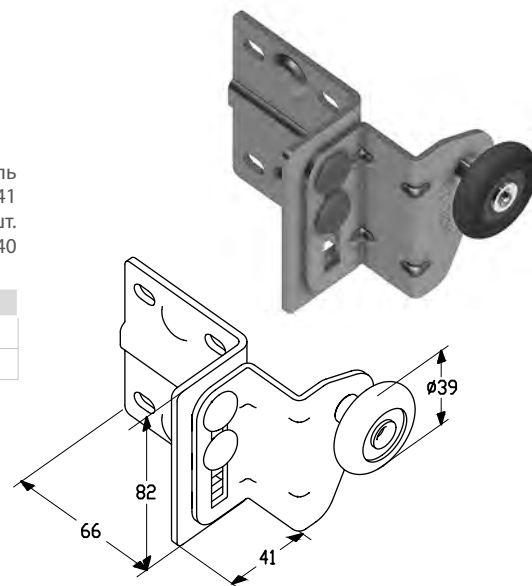
Кронштейн роликовый верхний для гаражных ворот с торсионными пружинами

Кронштейн роликовый верхний

Предназначен для установки на верхнюю панель полотна ворот. Используется в гаражных воротах с пружинами растяжения.

Материал оцинкованная сталь
 Вес, кг/шт. 0,41
 Единица измерения шт.
 Норма поставки, шт. 40

Артикул	Код	Применение
RBT-310L	401210600	Левый
RBT-310R	401210700	Правый

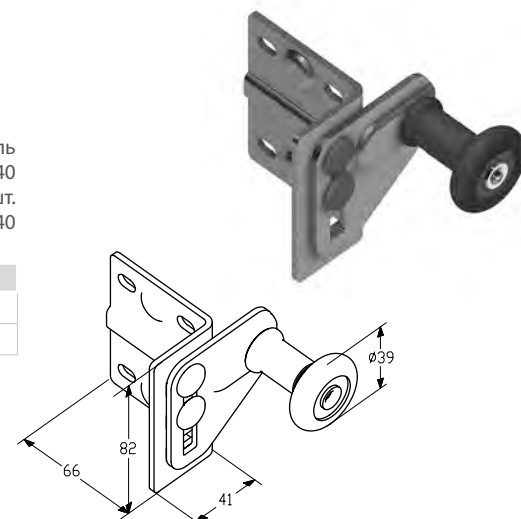


Кронштейн роликовый верхний

Предназначен для установки на верхнюю панель полотна ворот. Используется в гаражных воротах с торсионными пружинами стандартного и низкого типов монтажа.

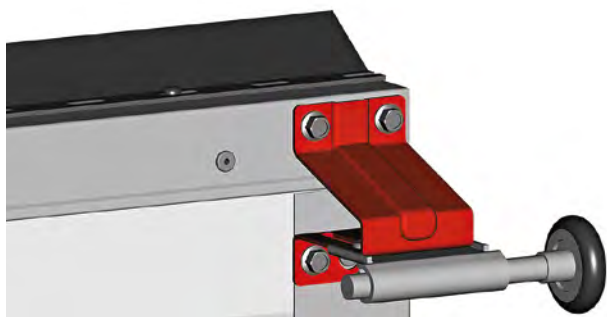
Материал оцинкованная сталь
 Вес, кг/шт. 0,40
 Единица измерения шт.
 Норма поставки, шт. 40

Артикул	Код	Применение
RBT-320L	401210800	Левый
RBT-320R	401210900	Правый



КРОНШТЕЙНЫ И ПЕТЛИ ДЛЯ СБОРКИ ПОЛОТНА ВОРОТ

УСТАНОВКА КРОНШТЕЙНА РОЛИКОВОГО ВЕРХНЕГО ДЛЯ ПРОМЫШЛЕННЫХ ВОРОТ



**Кронштейн роликовый верхний
для промышленных ворот всех типов монтажа
(кроме низких)**



**Кронштейн верхний роликовый
для промышленных ворот низких типов монтажа
(кроме низкого с передним расположением вала (тип 2))**

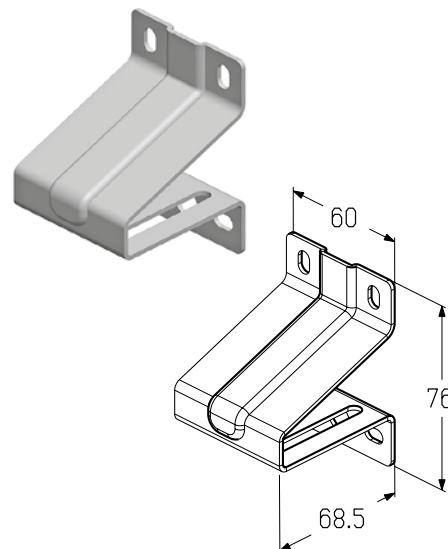
Кронштейн роликовый верхний

Предназначен для установки на верхнюю панель полотна ворот.
Используется:

- в гаражных воротах высокого типа монтажа;
- в промышленных воротах всех типов монтажа (кроме низких).

Материал оцинкованная сталь
Вес, кг/шт. 0,16
Единица измерения шт.
Норма поставки, шт. 120

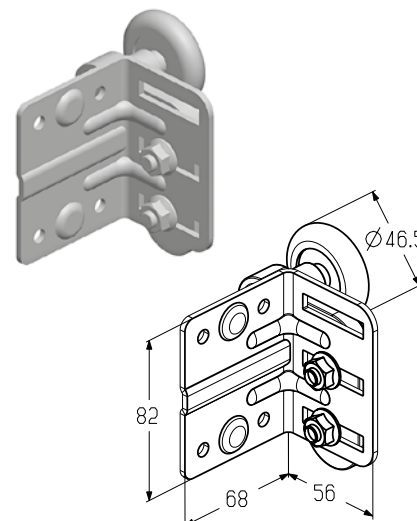
Артикул	Код
RBI-40.127	401211400

**Кронштейн роликовый верхний**

Предназначен для установки на верхнюю панель полотна ворот.
Используется в промышленных воротах низкого, наклонного низкого, низкого с передним расположением вала типов монтажа при ширине ворот до 5000 мм (включительно).

Материал оцинкованная сталь
Вес, кг/шт. 0,41
Единица измерения шт.
Норма поставки, шт. 40

Артикул	Код	Применение
RBI-40.126L	402601300	Левый
RBI-40.126R	402601400	Правый



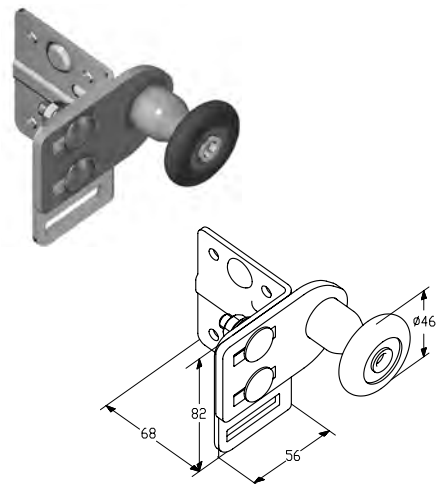
КРОНШТЕЙНЫ И ПЕТЛИ ДЛЯ СБОРКИ ПОЛОТНА ВОРОТ

Кронштейн роликовый верхний

Предназначен для установки на верхнюю панель полотна ворот.
Применяется в промышленных воротах низкого, наклонного низкого и низкого с передним расположением вала типов монтажа при ширине ворот более 5000 мм.

Материал нержавеющая сталь
Вес, кг / шт. 0,54
Единица измерения шт.
Норма поставки, шт. 40

Артикул	Код
B-700ATS	406136707

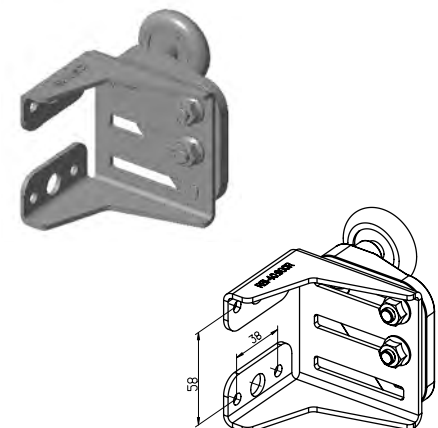


Кронштейн роликовый верхний

Предназначен для установки на верхнюю панель полотна ворот.
Используется в промышленных воротах низкого с передним расположением вала (тип 2) монтажа.

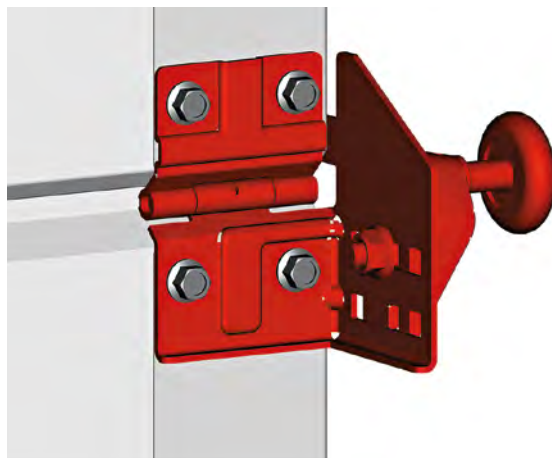
Материал оцинкованная сталь
Вес, кг / шт. 0,70
Единица измерения шт.
Норма поставки, шт. 40

Артикул	Код	Применение
RBI-40.900L	406136812	Левый
RBI-40.900R	406136813	Правый



КРОНШТЕЙНЫ И ПЕТЛИ ДЛЯ СБОРКИ ПОЛОТНА ВОРОТ

УСТАНОВКА КРОНШТЕЙНА БОКОВОГО ДЛЯ ГАРАЖНЫХ ВОРОТ



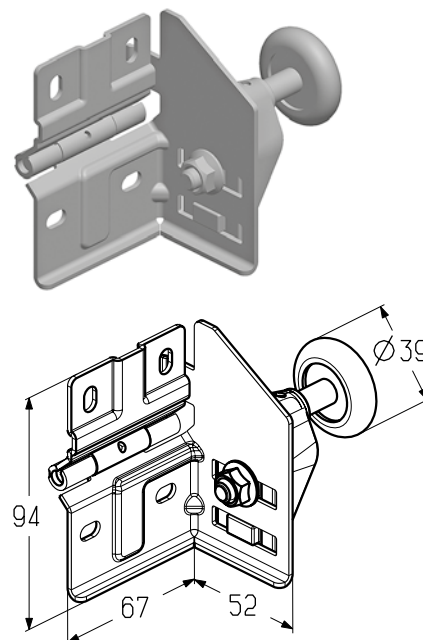
Кронштейн роликовый боковой

Предназначен для установки:

- на промежуточные панели гаражных ворот стандартного типа монтажа (торсионные пружины);
- на промежуточные панели гаражных ворот с пружинами растяжения и низкого типа монтажа (торсионные пружины), исключая вторую панель сверху, если верхняя панель меньше 300 мм.

Материал оцинкованная сталь/цинковый сплав
 Вес, кг/шт. 0,34
 Единица измерения шт.
 Норма поставки, шт. 40

Артикул	Код	Применение
RBT-200L	401221000	Левый
RBT-200R	401221100	Правый

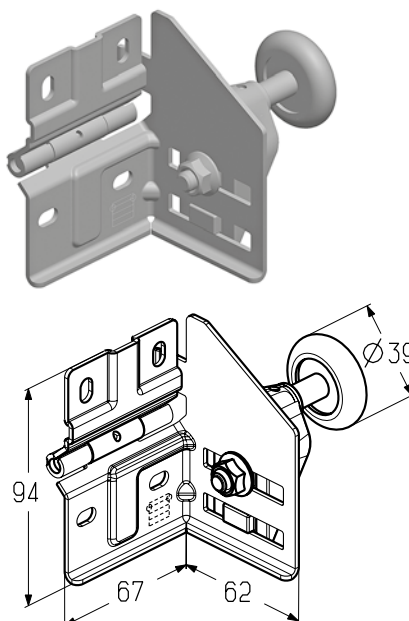


Кронштейн роликовый верхний

Предназначен для установки на вторую панель сверху гаражных ворот с пружинами растяжения и низкого типа монтажа (торсионные пружины), если верхняя панель меньше 300 мм.

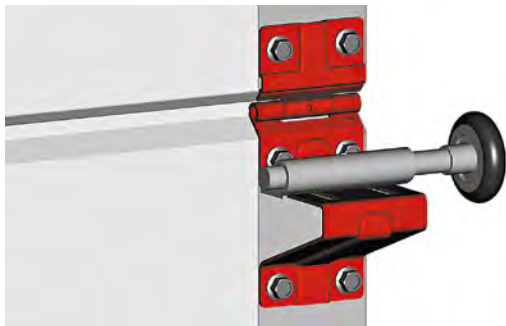
Материал оцинкованная сталь/цинковый сплав
 Вес, кг/шт. 0,41
 Единица измерения шт.
 Норма поставки, шт. 40

Артикул	Код	Применение
RBT-210L	401221200	Левый
RBT-210R	401221300	Правый

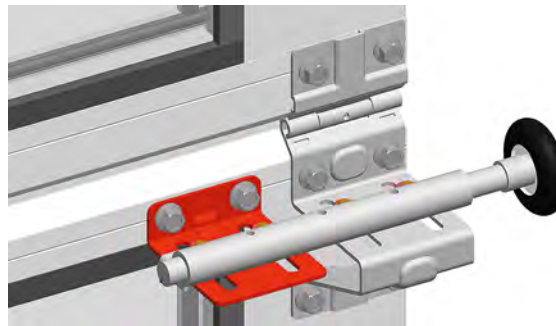


КРОНШТЕЙНЫ И ПЕТЛИ ДЛЯ СБОРКИ ПОЛОТНА ВОРОТ

УСТАНОВКА КРОНШТЕЙНА РОЛИКОВОГО БОКОВОГО ДЛЯ ПРОМЫШЛЕННЫХ ВОРОТ



Установка на промежуточные панели промышленных ворот



Установка на промежуточные панели панорамных ворот

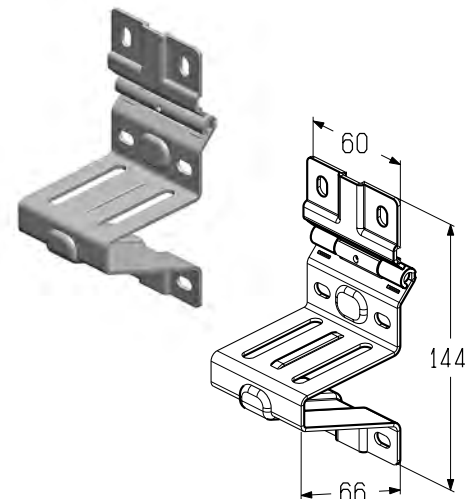
Кронштейн роликовый боковой

Предназначен для установки на промежуточные панели полотна ворот.

Используется:

- в гаражных воротах высокого типа монтажа;
- в промышленных воротах всех типов монтажа.

Материал оцинкованная сталь
 Вес, кг/шт. 0,25
 Единица измерения шт.
 Норма поставки, шт. 60



Артикул	Код
RBI-40.123	402601100

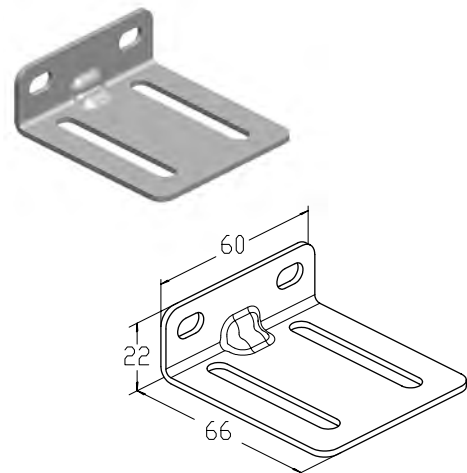
Кронштейн роликовый боковой

Предназначен для установки на промежуточные и верхнюю панорамные панели AluTrend.

Устанавливается совместно с кронштейном боковым (RBI-40.123) и кронштейном верхним (RBI-40.127).

Используется в гаражных и промышленных воротах с панорамными панелями при ширине ворот более 5000 мм.

Материал оцинкованная сталь
 Вес, кг 0,07
 Единица измерения шт.
 Норма поставки, шт. 60



Артикул	Код
RBI-40.124	401222200

* Опционально в гаражных воротах шириной до 5000 мм.

КРОНШТЕЙНЫ И ПЕТЛИ ДЛЯ СБОРКИ ПОЛОТНА ВОРОТ

УСТАНОВКА КРОНШТЕЙНА НИЖНЕГО ДЛЯ ГАРАЖНЫХ ВОРОТ



**Кронштейн роликовый нижний
для гаражных ворот с пружинами растяжения**



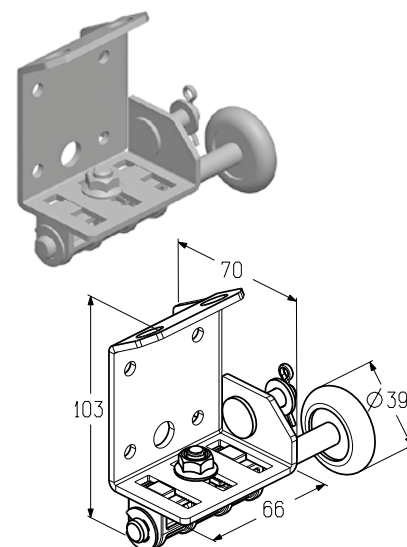
**Кронштейн роликовый нижний
для гаражных ворот с торсионными пружинами**

Кронштейн роликовый нижний

Предназначен для установки на нижнюю панель полотна ворот.
Используется в гаражных воротах с пружинами растяжения.

Материал оцинкованная сталь/цинковый сплав
Вес, кг/шт. 0,45
Единица измерения шт.
Норма поставки, шт. 40

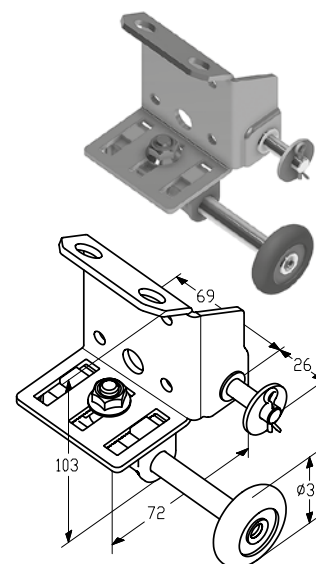
Артикул	Код	Применение
RBT-100L	401232200	Левый
RBT-100R	401232300	Правый

**Кронштейн роликовый нижний**

Предназначен для установки на нижнюю панель полотна ворот.
Используется в гаражных воротах с торсионными пружинами.

Материал оцинкованная сталь/цинковый сплав
Вес, кг/шт. 0,40
Единица измерения шт.
Норма поставки, шт. 40

Артикул	Код	Применение
RBT-110L	401232400	Левый
RBT-110R	401232500	Правый



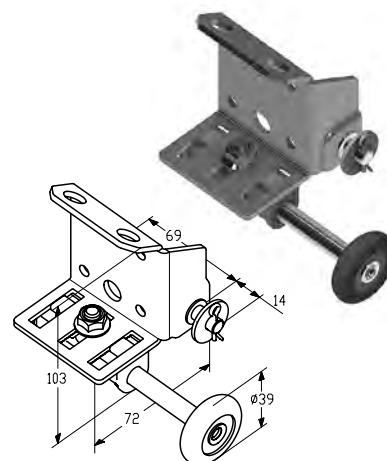
КРОНШТЕЙНЫ И ПЕТЛИ ДЛЯ СБОРКИ ПОЛОТНА ВОРОТ

Кронштейн роликовый нижний

Предназначен для установки на нижнюю панель полотна ворот.
Используется в гаражных воротах высокого типа монтажа с торсионными пружинами.

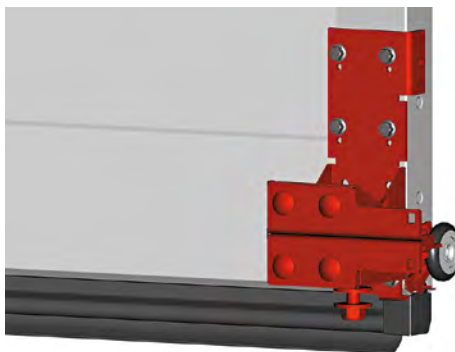
Материал оцинкованная сталь/цинковый сплав
 Вес, кг 0,41
 Единица измерения шт.
 Норма поставки, шт. 40

Артикул	Код	Применение
RBT-120L	406136678	Левый
RBT-120R	406136679	Правый



КРОНШТЕЙНЫ И ПЕТЛИ ДЛЯ СБОРКИ ПОЛОТНА ВОРОТ

УСТАНОВКА КРОНШТЕЙНА РОЛИКОВОГО НИЖНЕГО ДЛЯ ПРОМЫШЛЕННЫХ ВОРОТ



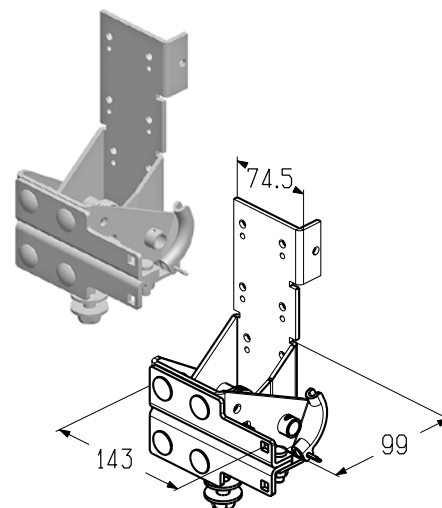
Кронштейн роликовый нижний
(RBI-40.110L/R)

Кронштейн роликовый нижний

Предназначен для защиты от падения полотна промышленных ворот при обрыве троса. Устанавливается на нижнюю панель полотна ворот. Используется в промышленных воротах всех типов монтажа (кроме низкого с передним расположением вала (тип 2)) шириной до 5000 мм включительно и площадью более 25 м².

Материал оцинкованная сталь
Вес, кг/шт. 2,26
Единица измерения шт.
Норма поставки, шт. 6

Артикул	Код	Применение
RBI-40.110L	401232600	Левый
RBI-40.110R	401232700	Правый

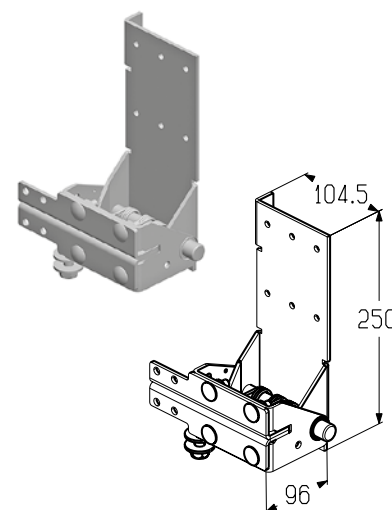


Кронштейн роликовый нижний

Предназначен для защиты от падения полотна промышленных ворот при обрыве троса. Устанавливается на нижнюю панель полотна ворот. Используется в промышленных воротах всех типов монтажа (кроме низкого с передним расположением вала (тип 2)) шириной более 5000 мм.

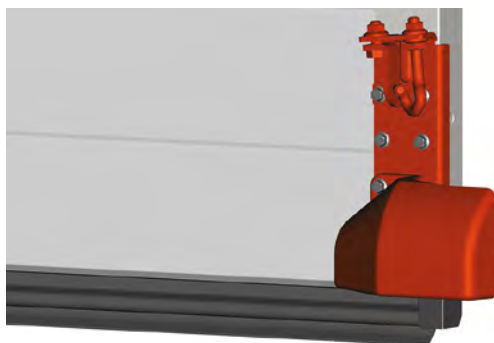
Материал оцинкованная сталь
Вес, кг/шт. 2,57
Единица измерения шт.
Норма поставки, шт. 2

Артикул	Код	Применение
RBI-40.110DL	401232800	Левый
RBI-40.110DR	401232900	Правый



КРОНШТЕЙНЫ И ПЕТЛИ ДЛЯ СБОРКИ ПОЛОТНА ВОРОТ

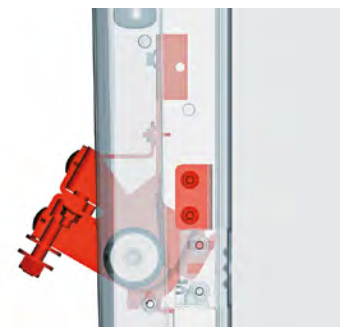
УСТАНОВКА КРОНШТЕЙНА РОЛИКОВОГО НИЖНЕГО ДЛЯ ПРОМЫШЛЕННЫХ ВОРОТ



**Кронштейн роликовый нижний
(RBI-45.100L/R)**



**Кронштейн роликовый нижний
(RBI-40.120L/R)**



Кронштейн роликовый нижний

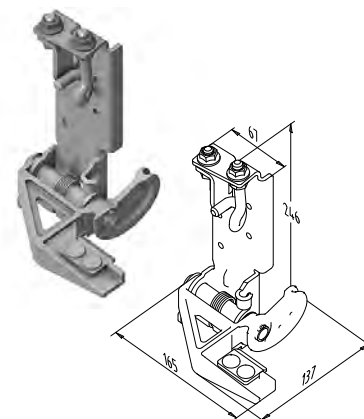
Предназначен:

- для защиты от падения полотна промышленных ворот при обрыве троса;
- для защиты промышленных ворот с навальным электроприводом от поддомкрачивания при совместном использовании с позициями **RBI-40.100L-008/RBI-40.100R-008** и **RBI-40.100L-010/RBI-40.100R-010**;
- для регулировки натяжения троса.

Обеспечивает возможность натяжения троса. Устанавливается на нижнюю панель полотна ворот. Используется в промышленных воротах всех типов монтажа (кроме низкого с передним расположением вала (тип2)) шириной до 5000 мм включительно и площадью до 25 м².

Материал оцинкованная сталь
 Вес, кг/шт. 1,74
 Единица измерения шт.
 Норма поставки, шт. 4

Артикул	Код	Применение
RBI-45.100L	402602000	Левый
RBI-45.100R	402602100	Правый

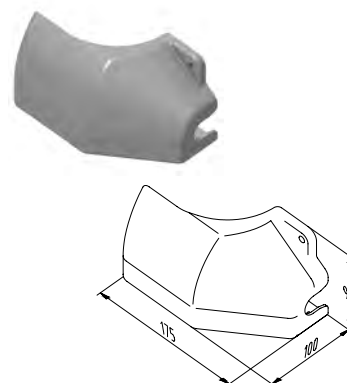


Крышка

Устанавливается на кронштейны **RBI-45.100L/R** для защиты от возможного контакта с выступающими частями кронштейна при заказе защиты от поддомкрачивания.

Материал полипропилен
 Цвет RAL 7035
 Вес, кг/шт. 0,08
 Единица измерения шт.
 Норма поставки, шт. 1

Артикул	Код	Применение
RBI-40.100L-008	418700529	Левый
RBI-40.100R-008	418700530	Правый



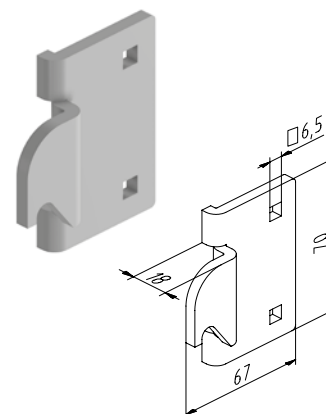
КРОНШТЕЙНЫ И ПЕТЛИ ДЛЯ СБОРКИ ПОЛОТНА ВОРОТ

Кронштейн

Устанавливается на угловую стойку ворот в дополнение к кронштейну **RBI-45.100L/R** и крышке **RBI-40.100L-008/RBI-40.100R-008** и служит для защиты от поддомкрачивания полотна.

Материал оцинкованная сталь
 Вес, кг/шт. 0,16
 Единица измерения шт.
 Норма поставки, шт. 1

Артикул	Код	Применение
RBI-40.100L-010	406136869	Левый
RBI-40.100R-010	406136870	Правый



Кронштейн роликовый нижний

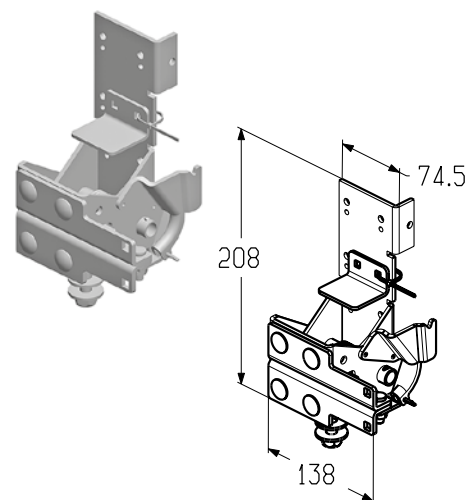
Предназначен:

- для защиты от падения полотна промышленных ворот при обрыве троса;
- для защиты промышленных ворот с навальным электроприводом от поддомкрачивания.

Устанавливается на нижнюю панель полотна ворот. Используется в промышленных автоматизированных воротах всех типов монтажа (кроме низкого с передним расположением вала (тип 2)) шириной до 5000 мм включительно.

Материал оцинкованная сталь
 Вес, кг/шт. 2,27
 Единица измерения шт.
 Норма поставки, шт. 5

Артикул	Код	Применение
RBI-40.120L	401234200	Левый
RBI-40.120R	401234300	Правый



Кронштейн роликовый нижний

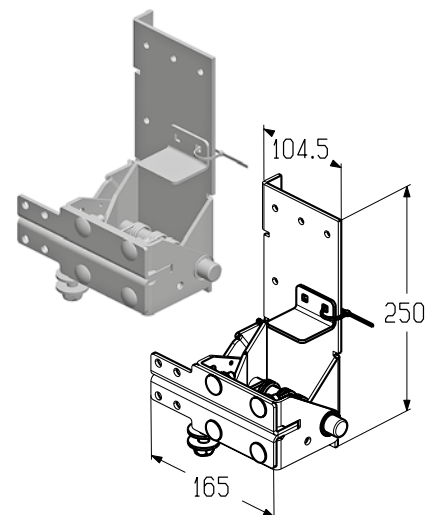
Предназначен:

- для защиты от падения полотна промышленных ворот при обрыве троса;
- для защиты промышленных ворот с навальным электроприводом от поддомкрачивания.

Устанавливается на нижнюю панель полотна ворот. Используется в промышленных автоматизированных воротах всех типов монтажа (кроме низкого с передним расположением вала (тип 2)) шириной более 5000 мм.

Материал оцинкованная сталь
 Вес, кг/шт. 2,67
 Единица измерения шт.
 Норма поставки, шт. 2

Артикул	Код	Применение
RBI-40.120DL	401234400	Левый
RBI-40.120DR	401234500	Правый



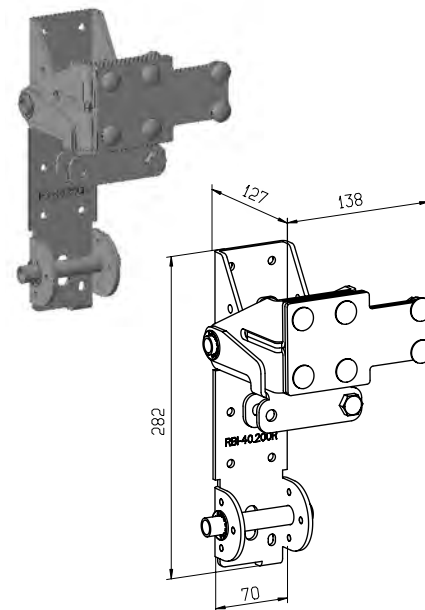
КРОНШТЕЙНЫ И ПЕТЛИ ДЛЯ СБОРКИ ПОЛОТНА ВОРОТ

Кронштейн роликовый нижний

Предназначен для защиты от падения полотна промышленных ворот при обрыве троса. Устанавливается на нижнюю панель полотна ворот. Используется в промышленных воротах низкого с передним расположением вала (тип 2) монтажа при ширине ворот до 6000 мм включительно.

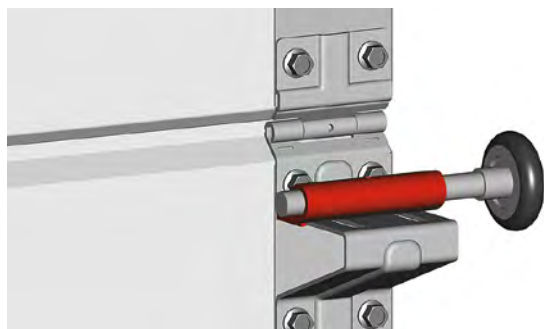
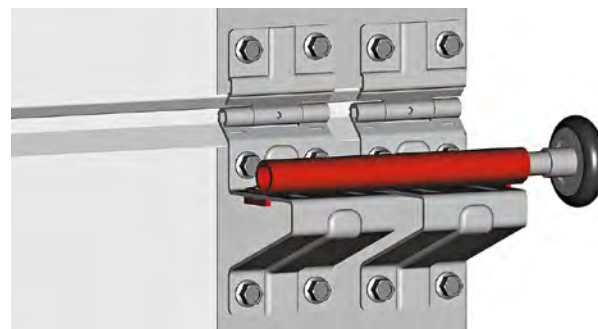
Материал оцинкованная сталь
 Вес, кг/шт. 3,40
 Единица измерения шт.
 Норма поставки, шт. 1

Артикул	Код	Применение
RBI-40.200L	406136804	Левый
RBI-40.200R	406136805	Правый



КРОНШТЕЙНЫ И ПЕТЛИ ДЛЯ СБОРКИ ПОЛОТНА ВОРОТ

УСТАНОВКА НАКЛАДКИ РОЛИКОВОЙ

Накладка роликовая
промежуточнаяНакладка роликовая
промежуточная дуплексная

Накладка роликовая промежуточная

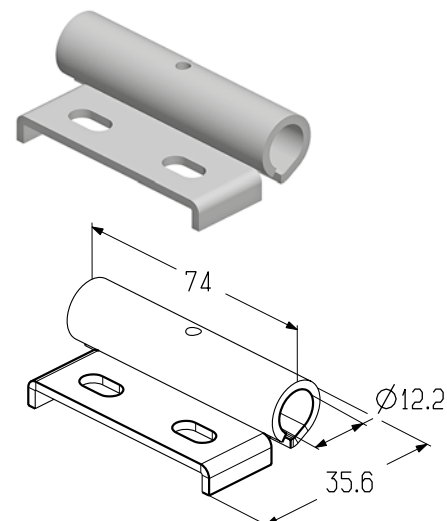
Предназначена для установки ролика ходового (R-130-12-G) на кронштейн роликовый боковой (RBI-40.123) на промежуточные панели полотна ворот.

Используется:

- в гаражных воротах высокого типа монтажа;
- в промышленных воротах всех типов монтажа.

Материал оцинкованная сталь
 Вес, кг/шт. 0,11
 Единица измерения шт.
 Норма поставки, шт. 200

Артикул	Код
RP-40.123	401240500



Накладка роликовая промежуточная дуплексная

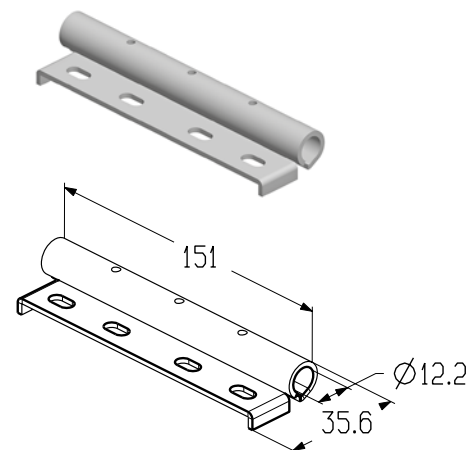
Предназначена для установки ролика ходового (R-205-12-G) на двойной кронштейн боковой (RBI-40.123) на промежуточные панели полотна ворот.

Используется:

- в гаражных воротах высокого типа монтажа шириной более 5000 мм;
- в промышленных воротах всех типов монтажа шириной более 5000 мм.

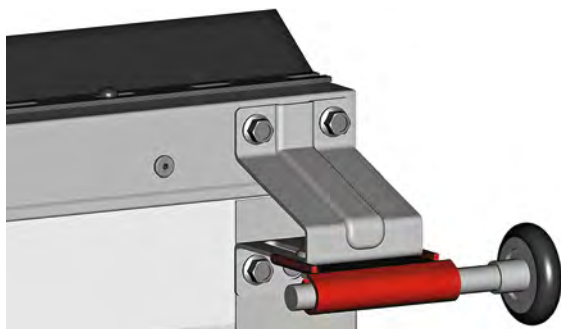
Материал оцинкованная сталь
 Вес, кг/шт. 0,11
 Единица измерения шт.
 Норма поставки, шт. 100

Артикул	Код
RP-40.123D	401240800

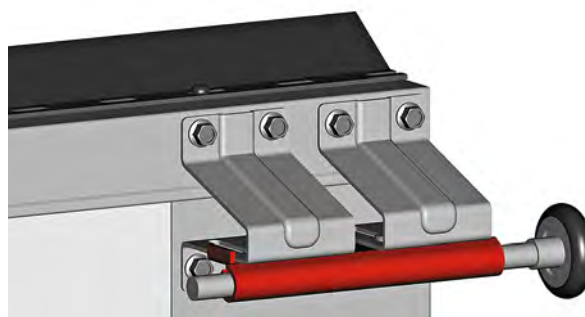


КРОНШТЕЙНЫ И ПЕТЛИ ДЛЯ СБОРКИ ПОЛОТНА ВОРОТ

УСТАНОВКА НАКЛАДКИ РОЛИКОВОЙ



**Накладка роликовая
верхняя**



**Накладка роликовая
верхняя дуплексная**

Накладка роликовая верхняя

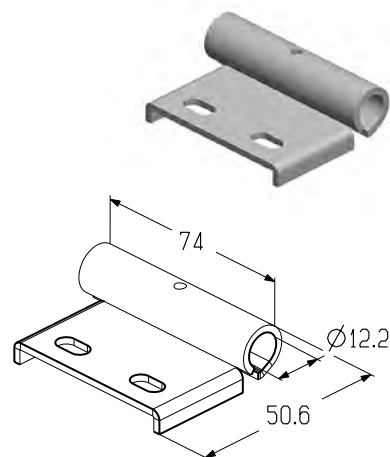
Предназначена для установки ролика ходового (**R-130-12-G**) на кронштейн роликовый верхний (**RBI-40.127**) на верхнюю панель полотна ворот.

Используется:

- в гаражных воротах высокого типа монтажа;
- в промышленных воротах всех типов монтажа (кроме низких).

Материал оцинкованная сталь
Вес, кг/шт. 0,07
Единица измерения шт.
Норма поставки, шт. 150

Артикул	Код
RP-40.125	401240600



Накладка роликовая верхняя дуплексная

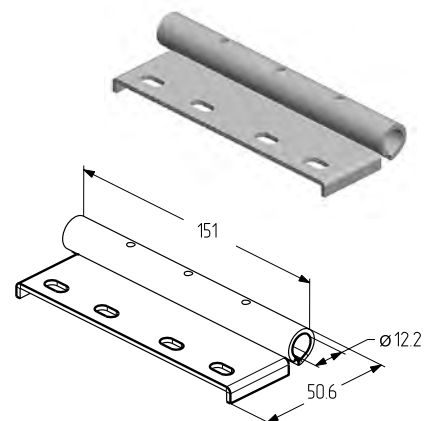
Предназначена для установки ролика ходового (**R-205-12-G**) на двойной кронштейн роликовый верхний (**RBI-40.127**) на верхнюю панель полотна ворот.

Используется:

- в гаражных воротах высокого типа монтажа шириной более 5000 мм;
- в промышленных воротах всех типов монтажа шириной более 5000 мм (кроме низких).

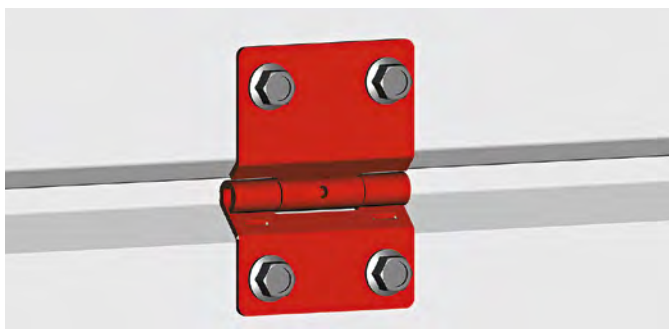
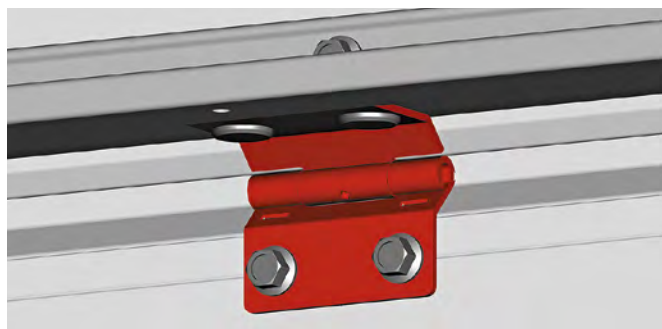
Материал оцинкованная сталь
Вес, кг/шт. 0,22
Единица измерения шт.
Норма поставки, шт. 80

Артикул	Код
RP-40.125D	401240700



КРОНШТЕЙНЫ И ПЕТЛИ ДЛЯ СБОРКИ ПОЛОТНА ВОРОТ

УСТАНОВКА ПЕТЛИ ПРОМЕЖУТОЧНОЙ

Петля промежуточная
(IH-201)Петля промежуточная
(IH-200)

Петля промежуточная

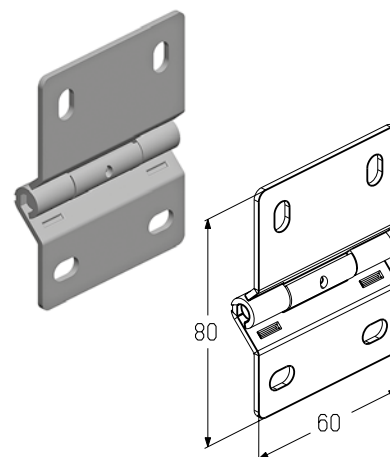
Предназначена для соединения сэндвич-панелей полотна ворот.

Используется:

- в гаражных воротах с пружинами растяжения и торсионными пружинами без усиливающего профиля **PRG-19**;
- в промышленных воротах всех типов монтажа без усиливающего профиля **PRG-19**;
- в промышленных воротах всех типов монтажа с усиливающим профилем **PRG110**.

Материал оцинкованная сталь
 Вес, кг/шт. 0,10
 Единица измерения шт.
 Норма поставки, шт. 300

Артикул	Код
IH-201	401910500



Петля промежуточная

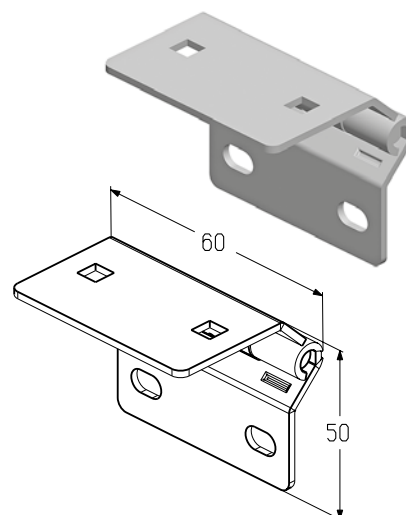
Предназначена для соединения сэндвич-панелей полотна ворот.

Используется:

- в гаражных воротах с профилем усиливающим (**PRG-19, PRG-20**);
- в промышленных воротах с профилем усиливающим (**PRG-19, PRG-20**).

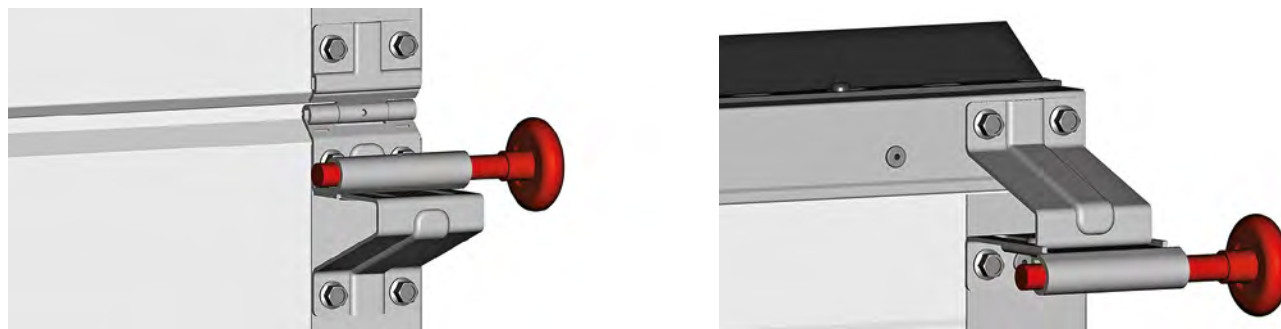
Материал оцинкованная сталь
 Вес, кг/шт. 0,11
 Единица измерения шт.
 Норма поставки, шт. 200

Артикул	Код
IH-200	401910400



РОЛИКИ ХОДОВЫЕ

УСТАНОВКА РОЛИКА ХОДОВОГО



Ролик ходовой

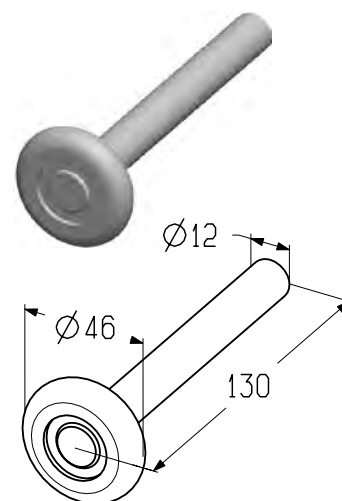
Предназначен для установки в накладку роликую верхнюю (**RP-40.125**) на кронштейн роликочный верхний (**RBI-40.127**). Используется в промышленных воротах всех типов монтажа (кроме низких).

Предназначен для установки в накладку роликую промежуточную (**RP-40.123**) на кронштейн роликочный боковой (**RBI-40.123**). Используется в промышленных воротах всех типов монтажа шириной до 5000 мм включительно.

Предназначен для установки в кронштейн роликочный нижний (**RBI-40.110L/R**, **RBI-45.100L/R**). Используется в промышленных воротах всех типов монтажа (кроме низкого с передним расположением вала (тип 2)).

Диаметр оси, мм	12
Вес, кг/шт.	0,16
Длина ролика, мм	130
Единица измерения	шт.
Норма поставки, шт.	100

Артикул	Код
R-130-12-G	401920200



Ролик ходовой

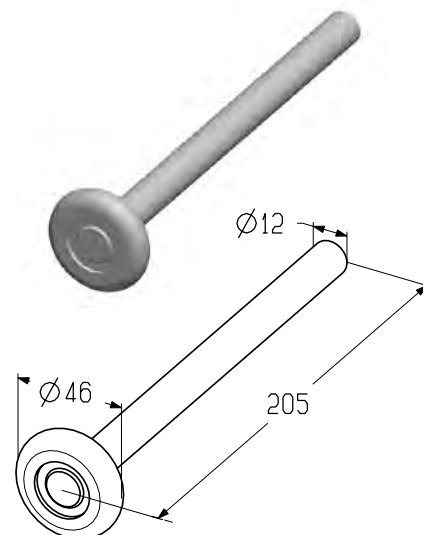
Предназначен для установки в накладку роликую промежуточную дуплексную (**RP-40.123D**) на двойной кронштейн роликочный боковой (**RBI-40.123**).

Предназначен для установки в накладку роликую верхнюю дуплексную (**RP-40.125D**) на двойной кронштейн роликочный верхний (**RBI-40.127**).

Используется в промышленных воротах всех типов монтажа шириной более 5000 мм.

Диаметр оси, мм	12
Вес, кг/шт.	0,224
Длина ролика, мм	205
Единица измерения	шт.
Норма поставки, шт.	100

Артикул	Код
R-205-12-G	401920400



РОЛИКИ ХОДОВЫЕ

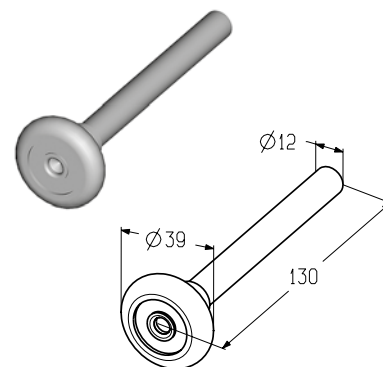
Ролик ходовой

Предназначен для установки в накладку роликую верхнюю (**RP-40.125**) на кронштейн роликый верхний (**RBI-40.127**). Используется в гаражных воротах высокого типа монтажа.

Предназначен для установки в накладку роликую промежуточную (**RP-40.123**) на кронштейн роликый боковой (**RBI-40.123**). Используется в гаражных воротах высокого типа монтажа шириной до 5000 мм включительно.

Диаметр оси, мм	12
Вес, кг/шт.	0,16
Длина ролика, мм	130
Единица измерения	шт.
Норма поставки, шт.	150

Артикул	Код
RT-130-12-G	401922000

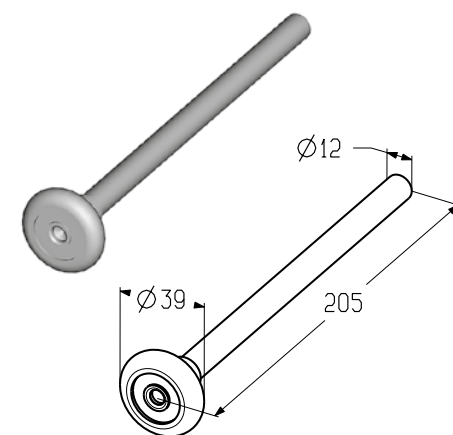
**Ролик ходовой**

Предназначен для установки в накладку роликую промежуточную дуплексную (**RP-40.123D**) на двойной кронштейн роликый боковой (**RBI-40.123**).

Предназначен для установки в накладку роликую верхнюю дуплексную (**RP-40.125D**) на двойной кронштейн роликый верхний (**RBI-40.127**). Используется в гаражных воротах высокого типа монтажа шириной более 5000 мм.

Диаметр оси, мм	12
Вес, кг/шт.	0,22
Длина ролика, мм	205
Единица измерения	шт.
Норма поставки, шт.	100

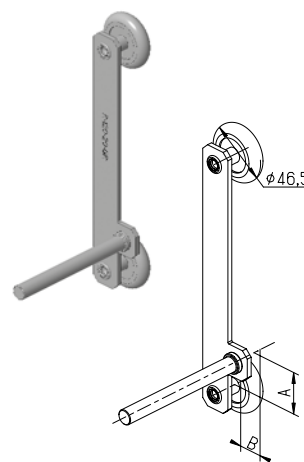
Артикул	Код
RT-205-12-G	401922100

**Ролик ходовой**

Предназначен для установки в кронштейн роликый нижний **RBI-40.200L**, **RBI-40.200R**. Используется в воротах низкого монтажа с передним расположением вала (тип 2).

Диаметр оси, мм	12
Вес, кг/шт.	0,50
Длина ролика, мм	120
Единица измерения	шт.
Норма поставки, шт.	100

Артикул	Код	Параметр А, мм	Параметр В, мм	Применение
R-120-20-GL	416000026	35	20	Для ворот с калиткой с плоским порогом
R-120-20-GR	416000029			
R-120-35-GL	416000027	50	16	Для ворот без калитки, для ворот с калиткой с низким порогом
R-120-35-GR	416000030			



1.1

1.2

1.3

1.4

1.5

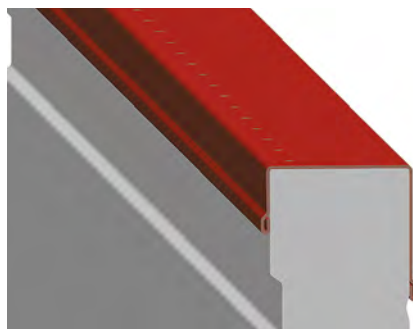
2

3

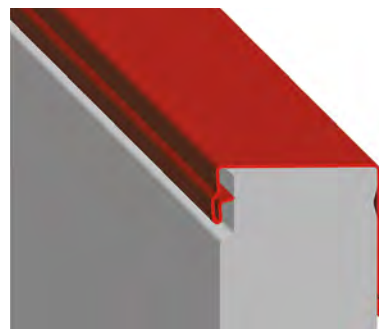
4

ПРОФИЛИ ДЛЯ ПОЛОТНА ВОРОТ

УСТАНОВКА ПРОФИЛЯ КОНЦЕВОГО ВЕРХНЕГО



**Профиль верхний
(PRG-37)**



**Профиль верхний
(PRG-38)**

Профиль верхний

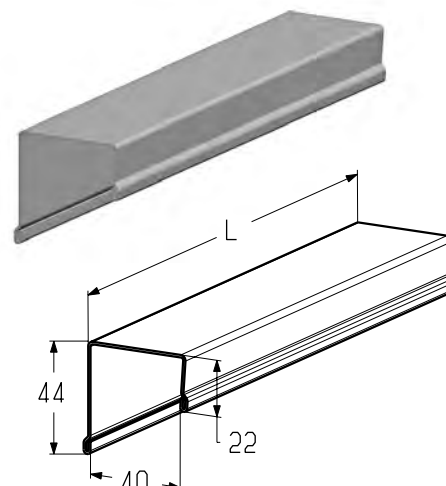
Предназначен для установки на верхнюю панель полотна ворот.

Используется:

- в гаражных воротах с пружинами растяжения и торсионными пружинами всех типов монтажа;
- в промышленных воротах всех типов монтажа.

Материал оцинкованная сталь
 Покрытие лакокрасочное
 Цвет бело-серый (близкий RAL 9002)
 Вес, кг/м 0,91
 Единица измерения м

Артикул	Код	Длина (L), мм	Норма поставки	
			м	шт.
PRG-37	402140510	5760	576,0	100
		7200	720,0	



Профиль верхний

Предназначен для установки на верхнюю панель полотна ворот.

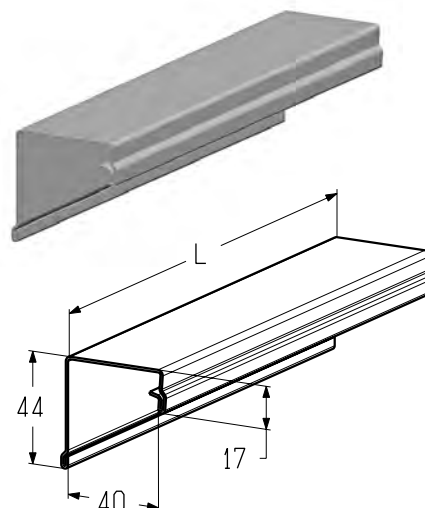
Используется:

- в гаражных воротах с пружинами растяжения и торсионными пружинами всех типов монтажа;
- в промышленных воротах всех типов монтажа.

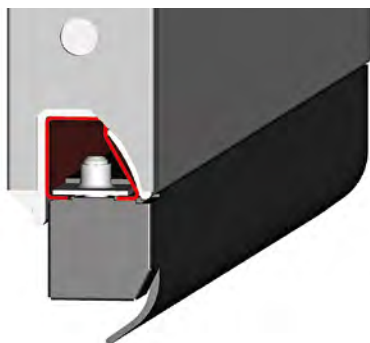
Устанавливается на сэндвич-панель с горизонтальным гофром в том случае, если подрезка панели попадает на паз.

Материал оцинкованная сталь
 Покрытие лакокрасочное
 Цвет бело-серый (близкий RAL 9002)
 Вес, кг/м 0,95
 Единица измерения м

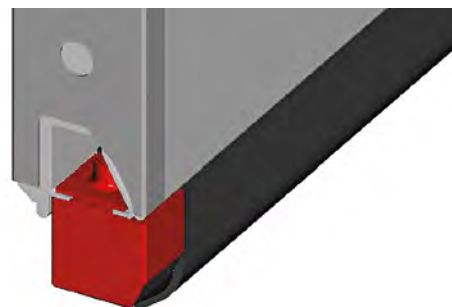
Артикул	Код	Длина (L), мм	Норма поставки	
			м	шт.
PRG-38	402140610	5760	460,8	80
		7200	576,0	



ПРОФИЛИ ДЛЯ ПОЛОТНА ВОРОТ



Профиль концевой



Упор нижний

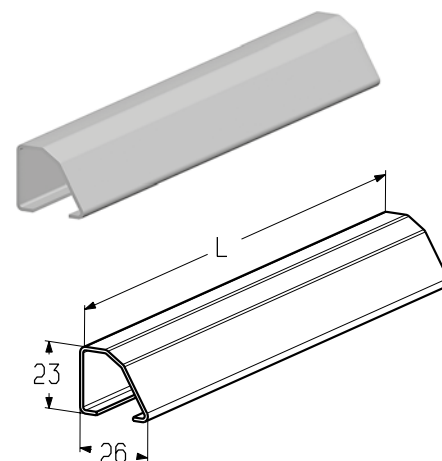
Профиль концевой (нижний)

Используется:

- в гаражных воротах с пружинами растяжения и торсионными пружинами всех типов монтажа;
- в промышленных воротах всех типов монтажа.

Материал оцинкованная сталь
 Вес, кг/м 0,63
 Единица измерения м

Артикул	Код	Длина (L), мм	Норма поставки	
			м	шт.
PRG-36	402130300	5700	684,0	120
		7140	856,8	



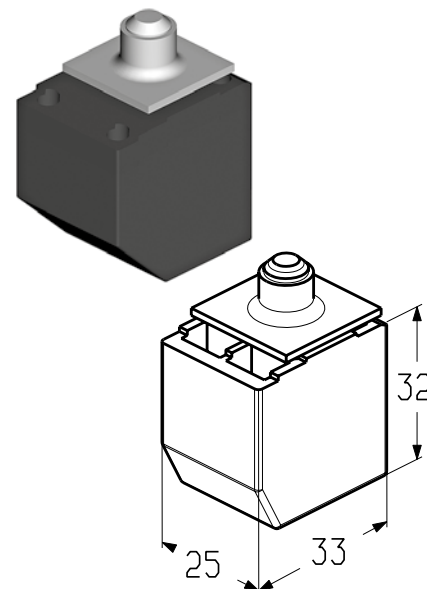
Упор нижний

Используется:

- в гаражных воротах с пружинами растяжения и торсионными пружинами всех типов монтажа;
- в промышленных воротах всех типов монтажа.

Материал HDPE
 Вес, кг/шт. 0,041
 Единица измерения шт.
 Норма поставки, шт. 500

Артикул	Код
LS-1017	401940400



ПРОФИЛИ ДЛЯ ПОЛОТНА ВОРОТ

УСТАНОВКА ФАЛЬШ-ПАНЕЛИ

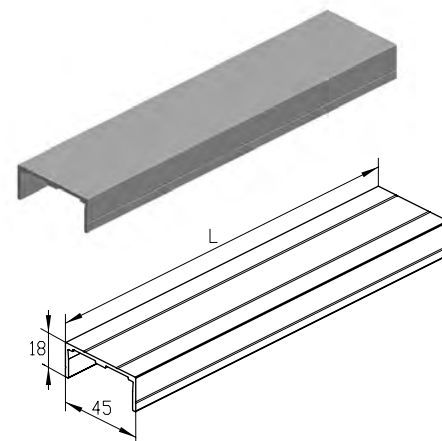


Профиль воротный

Предназначен для изготовления фальш-панели:

- в гаражных воротах с пружинами растяжения и торсионными пружинами всех типов монтажа;
- в промышленных воротах всех типов монтажа.

Материал алюминий
 Вес, кг/м 0,43
 Единица измерения м



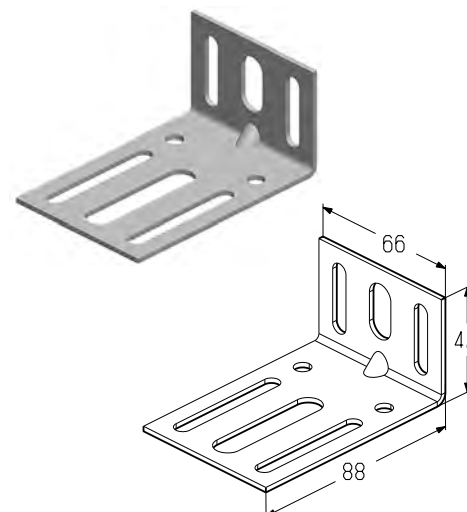
Артикул	Код	Покрытие	Цвет Степень блеска	Длина, мм	Норма поставки	
					м	шт.
PRD85.01	402980771	Анодированное	A00-D6 (серебро)	6000	72,00	12
	402980772	Порошковое	RAL 8019 30			
PRD85.01-7050	402982636	Анодированное	A00-D6 (серебро)	7050	84,60	
	402982637	Порошковое	RAL 8019 30			

Кронштейн

Предназначен для крепления фальш-панели к верхней перемычке высотой до 65 мм:

- в гаражных воротах с пружинами растяжения и торсионными пружинами всех типов монтажа;
- в промышленных воротах всех типов монтажа.

Материал оцинкованная сталь
 Вес, кг/шт. 0,09
 Единица измерения шт.
 Норма поставки, шт. 200



Артикул	Код
FPB5007	401820100

* Указанные в формате RAL **** цвета имеют близкое соответствие шкале RAL.

ПРОФИЛИ ДЛЯ ПОЛОТНА ВОРОТ

УСТАНОВКА ФАЛЬШ-ПАНЕЛИ

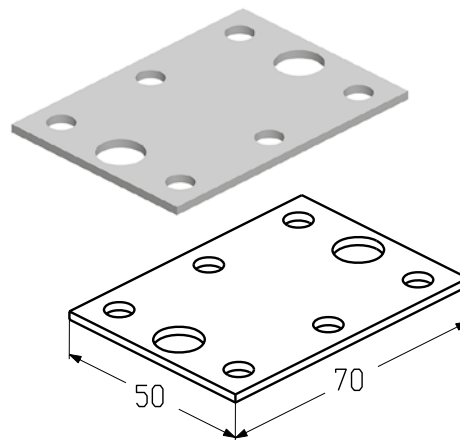
Пластина

Предназначена для крепления фальш-панели к верхней перемычке высотой более 65 мм и боковым стенкам проема. Используется:

- в гаражных воротах с пружинами растяжения и торсионными пружинами всех типов монтажа;
- в промышленных воротах всех типов монтажа.

Материал оцинкованная сталь
 Вес, кг/шт. 0,05
 Единица измерения шт.
 Норма поставки, шт. 300

Артикул	Код
FPP5008	401830100



Кронштейн

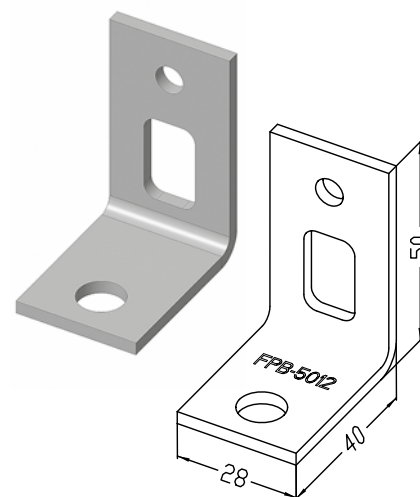
Предназначен для крепления фальш-панели к боковым стенкам проема.

Используется:

- в гаражных воротах с пружинами растяжения и торсионными пружинами всех типов монтажа;
- в промышленных воротах всех типов монтажа.

Материал оцинкованная сталь
 Вес, кг/шт. 0,05
 Единица измерения шт.
 Норма поставки, шт. 300

Артикул	Код
FPB-5012	406136755



Кронштейн

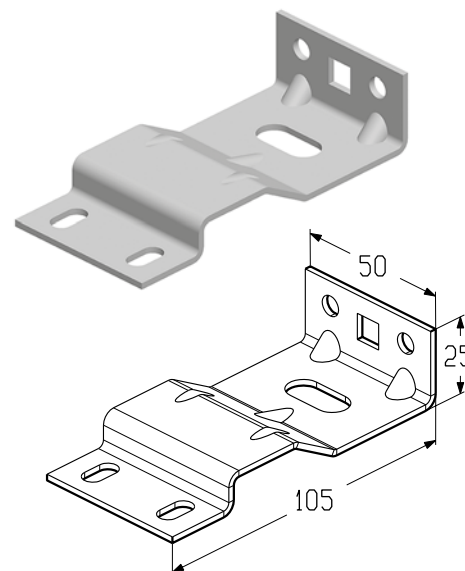
Предназначен для крепления фальш-панели к боковым стенкам проема в случае, если фальш-панель состоит из двух и более панелей. Устанавливается совместно с угловым профилем.

Используется:

- в гаражных воротах высокого типа монтажа;
- в промышленных воротах высоких и вертикальных типов монтажа.

Материал оцинкованная сталь
 Вес, кг/шт. 0,10
 Единица измерения шт.
 Норма поставки, шт. 160

Артикул	Код
FPB5010	401820300



ПРОФИЛИ ДЛЯ ПОЛОТНА ВОРОТ

УСТАНОВКА ПРОФИЛЯ УСИЛИВАЮЩЕГО



Профиль усиливающий

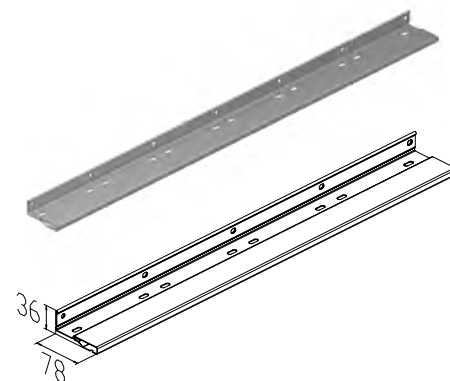
Используется в гаражных воротах:

- стандартного и низкого типа шириной от 5000 мм включительно (в качестве опции может применяться при ширине до 5000 мм);
- высокого типа монтажа при ширине более 4500 мм (в качестве опции может применяться при ширине до 4500 м включительно).

Используется в промышленных воротах:

- всех типов монтажа (кроме высоких и вертикальных) при ширине от 5000 мм включительно (в качестве опции может применяться при ширине до 5000 мм);
- высоких и вертикальных типов монтажа при ширине более 4500 мм (в качестве опции может применяться при ширине до 4500 мм включительно).

Материал оцинкованная сталь
Вес, кг/м 1,52
Единица измерения м



Артикул	Код	Длина, мм	Норма поставки	
			м	шт.
PRG-19	401437900	4290	257,40	60
		4620	277,20	
		4950	297,00	
		5610	366,60	
		6600	396,00	

Профиль усиливающий

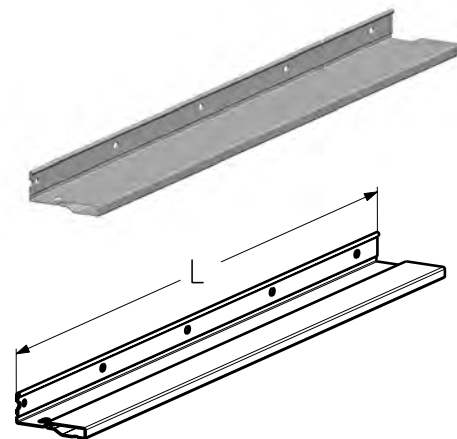
Используется в гаражных воротах с торсионными пружинами с панорамным остеклением (серия ПО):

- стандартного и низкого типа монтажа шириной более 5000 мм (в качестве опции может применяться при ширине до 5000 мм включительно);
- высокого типа монтажа при ширине более 4500 мм (в качестве опции может применяться при ширине до 4500 мм включительно).

Используется в промышленных воротах с панорамным остеклением (серий АЛП, АЛПС, ПО):

- всех типов монтажа (кроме высоких и вертикальных) шириной более 5000 мм (в качестве опции может применяться при ширине до 5000 мм включительно);
- высоких и вертикальных типах монтажа шириной более 4500 мм (в качестве опции может применяться при ширине до 4500 мм включительно).

Материал оцинкованная сталь
Вес, кг/м 1,52
Единица измерения м



Артикул	Код	Длина, мм	Норма поставки	
			м	шт.
PRG-20	401438000	4620	277,20	60
		4950	297,00	
		5610	336,60	
		6600	396,00	

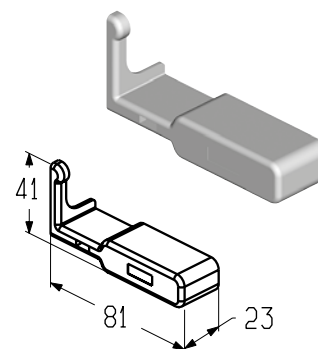
ПРОФИЛИ ДЛЯ ПОЛОТНА ВОРОТ

Заглушка

Устанавливается совместно с профилем усиливающим (PRG-19, PRG-20).

Материал	ABS
Вес, кг/м	0,01
Единица измерения	шт.
Норма поставки, шт.	630

Артикул	Код	Применение
P19R	401530500	Правая
P19L	401530400	Левая

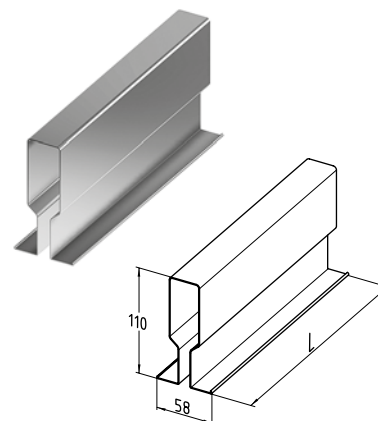


Профиль усиливающий

Используется в промышленных воротах в качестве опции при ширине ворот ≥ 5000 мм.

Материал	оцинкованная сталь
Длина	8020
Вес, кг / шт.	2,33
Единица измерения	м

Артикул	Код	Норма поставки, м	Норма поставки, шт.
PRG110-8020	401436000	200,5	25

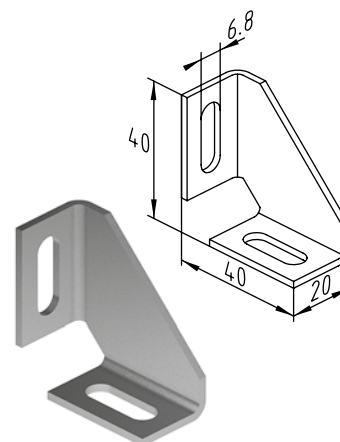


Кронштейн крепления усиливающего профиля

Используется в гаражных и промышленных воротах для крепления усиливающего профиля (PRG-19, PRG-20).

Материал	оцинкованная сталь
Вес, кг/шт.	0,03
Единица измерения	шт.
Норма поставки, шт.	300

Артикул	Код	Цвет*
B-1015	401200900	—
	401201000	RAL 9002



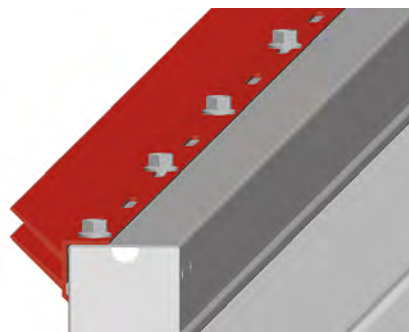
* Указанные в формате RAL **** цвета имеют близкое соответствие шкале RAL.

УПЛОТНИТЕЛИ РЕЗИНОВЫЕ

УСТАНОВКА ВСТАВКИ УПЛОТНИТЕЛЬНОЙ



**Вставка уплотнительная
нижняя**



**Вставка уплотнительная
верхняя**

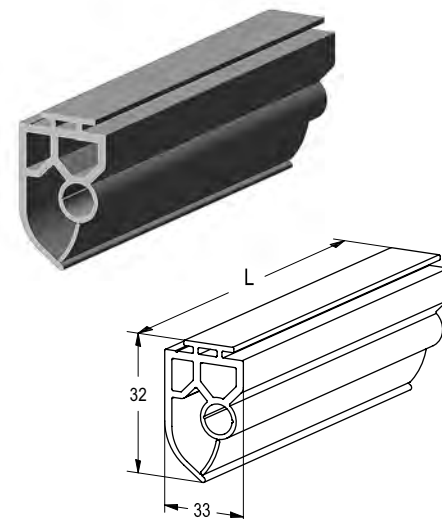
Вставка уплотнительная (нижняя)

Предназначена для герметизации нижней части проема. Устанавливается в профиль концевой нижний (**PRG-36**).

Используется:

- в гаражных воротах с пружинами растяжения и торсионными пружинами всех типов монтажа;
- в промышленных воротах всех типов монтажа.

Материал EPDM
 Вес, кг/м 0,50
 Единица измерения м
 Норма поставки, м 60



Артикул	Код
RSB20	417500204

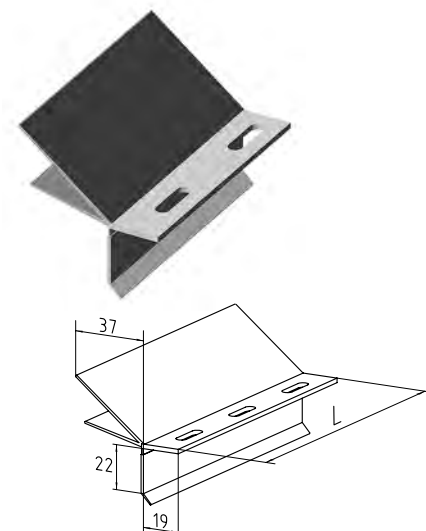
Вставка уплотнительная (верхняя)

Предназначена для герметизации верхней части проема. Устанавливается совместно с профилем концевым верхним (**PRG-37, PRG-38**).

Используется:

- в гаражных воротах высокого типа монтажа;
- в промышленных воротах всех типов монтажа, кроме низких (низкого, наклонного низкого, низкого с передним расположением вала, низкого с передним расположением вала (тип 2)).

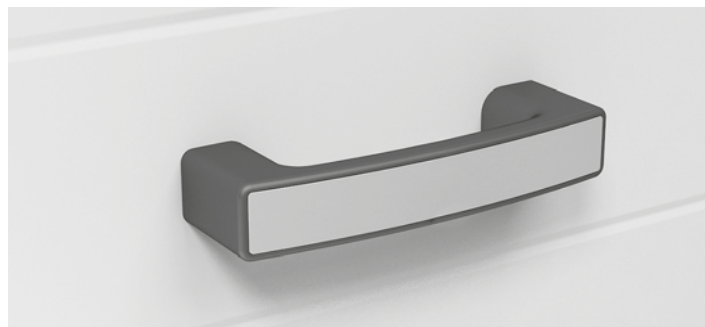
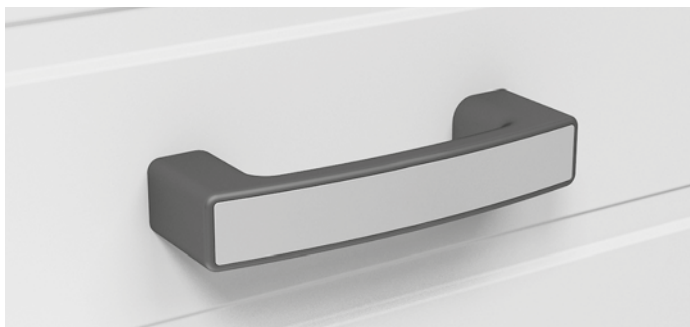
Материал RPVC+TPE
 Вес, кг/м 0,30
 Единица измерения м
 Норма поставки, м 180



Артикул	Код
RST01	401520100

АКСЕССУАРЫ ДЛЯ СЕКЦИОННЫХ ВОРОТ

УСТАНОВКА РУЧКИ



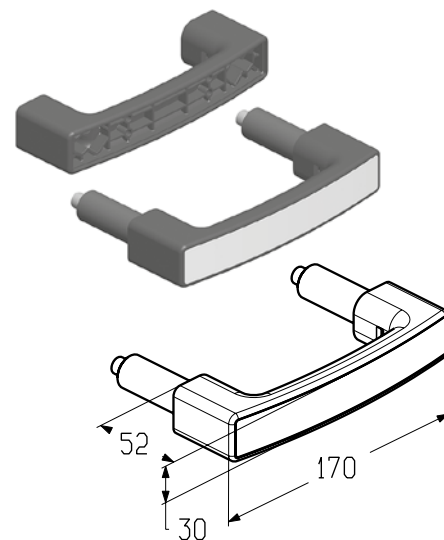
Ручка

Предназначена для подъема полотна гаражных ворот с пружинами растяжения и торсионными пружинами всех типов монтажа.

В комплект входят:

- двухсторонняя ручка;
- крышка для внутренней ручки, цвет близкий RAL 9002.

Материал полиамид
 Цвет черный
 Вес, кг/м 0,23
 Единица измерения шт.
 Норма поставки, шт. 1



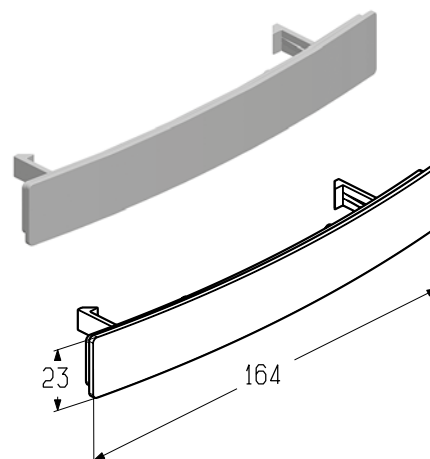
Артикул	Код
HGI-40.006	407410800

Крышка

Используется совместно с ручкой (HGI-40.006).

Материал ABS
 Вес, кг/м 0,01
 Единица измерения шт.
 Норма поставки, шт. 1

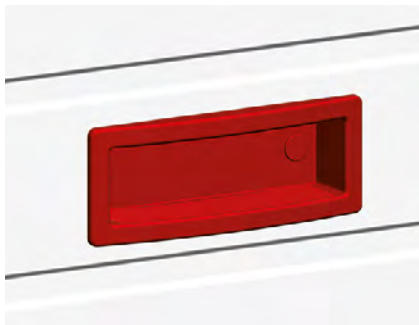
Артикул	Код	Цвет*
HGI006.002.01	407430000	RAL 9016
HGI006.002.02	407430100	RAL 8014
HGI006.002.03	407430200	RAL 9006
HGI006.002.04	407430300	RAL 5010
HGI006.002.09	407430400	RAL 6005
HGI006.002.10	407430500	RAL 1015
HGI006.002.12	407430600	RAL 3004
HGI006.002.15	407430700	RAL 9002
HGI006.002.16	407430800	RAL 7016
HGI006.002.17	407430900	RAL 8017
HGI006.002.18	407431000	RAL 9005



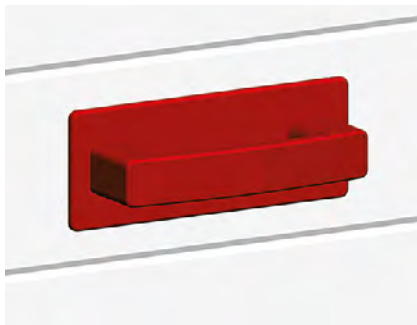
* Указанные в формате RAL **** цвета имеют близкое соответствие шкале RAL.

АКСЕССУАРЫ ДЛЯ СЕКЦИОННЫХ ВОРОТ

УСТАНОВКА РУЧКИ



Ручка HGI-40.007
Внешняя сторона



Ручка HGI-40.007
Внутренняя сторона



Ручка HG-40.008
Внутренняя сторона

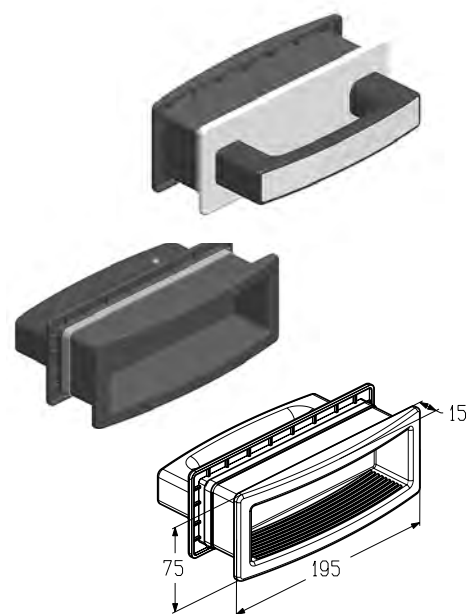
Ручка

Предназначена для подъема полотна:

- гаражных ворот высокого типа монтажа;
- промышленных ворот всех типов монтажа.

Материал полиамид
 Цвет черный
 Вес, кг/шт. 0,65
 Единица измерения шт.
 Норма поставки, шт. 28

Артикул	Код
HGI-40.007	401930200



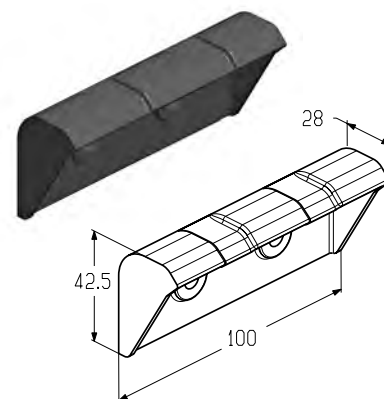
Ручка

Предназначена для подъема полотна без встроенной калитки или усиливающих профилей:

- гаражных ворот с пружинами растяжения и торсионными пружинами всех типов монтажа;
- промышленных воротах всех типов монтажа.

Материал полиамид
 Цвет черный
 Вес, кг/шт. 0,02
 Единица измерения шт.
 Норма поставки, шт. 300

Артикул	Код
HG-40.008	407410700



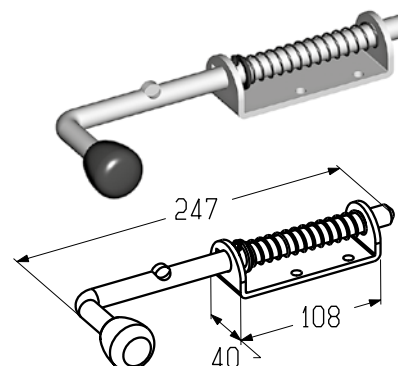
АКСЕССУАРЫ ДЛЯ СЕКЦИОННЫХ ВОРОТ

Засов

Предназначен для запираения гаражных и промышленных ворот всех типов монтажа.

Материал	оцинкованная сталь
Вес, кг/шт.	0,51
Единица измерения	шт.
Норма поставки, шт.	20

Артикул	Код
SB0100	401960000

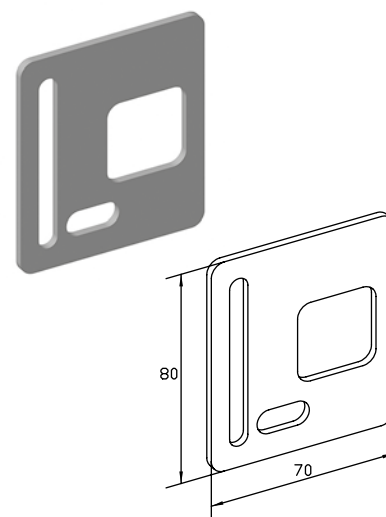
**Кронштейн**

Предназначен для установки совместно с профилем угловым и засовом (**SB0100**).

Используется в гаражных воротах с пружинами растяжения и торсионными пружинами всех типов монтажа, и промышленных воротах всех типов монтажа.

Материал	оцинкованная сталь
Вес, кг/шт.	0,10
Единица измерения	шт.
Норма поставки, шт.	200

Артикул	Код
LP-3009H	406136775

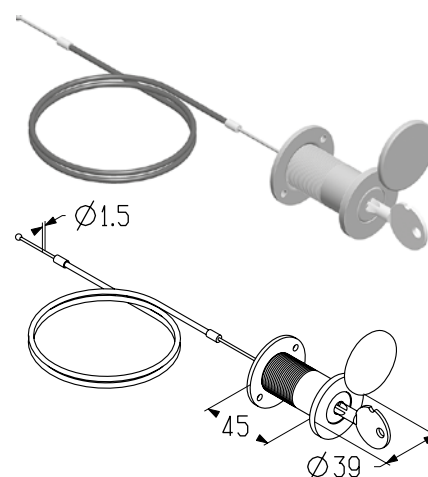
**Комплект механизма разблокировки**

Предназначен для разблокировки электропривода реечного типа.

Используется в гаражных воротах с пружинами растяжения и торсионными пружинами всех типов монтажа.

Единица измерения	шт.
Длина троса, мм	4500
Вес, кг/шт.	0,52
Норма поставки, шт.	4

Артикул	Код
RM0104-4500	401971800



АКСЕССУАРЫ ДЛЯ СЕКЦИОННЫХ ВОРОТ

Трос разблокировки

Предназначен для разблокировки электропривода реечного типа. Используется совместно с устройством запирающим **RLT-403**.

В комплект входят:

- трос разблокировки;
- комплект крепежа (винты самонарезающие, скобы, хомуты).

Единица измерения шт.
 Норма поставки, шт. 1

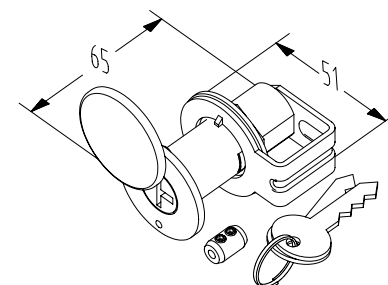


Артикул	Код	Длина, мм	Вес, кг/шт.
RK-4500	401971600	4500	0,56
RK-6000	401971700	6000	0,65

Механизм разблокировки

Предназначен для разблокировки электропривода реечного типа.
 Входит в состав комплекта механизма разблокировки арт. **RM0104-4500**.

Вес, кг/шт. 0,19
 Единица измерения шт.
 Норма поставки, шт. 1



Артикул	Код
RM0104	401971500

АКСЕССУАРЫ ДЛЯ СЕКЦИОННЫХ ВОРОТ

УСТАНОВКА УСТРОЙСТВА ЗАПИРАЮЩЕГО ДЛЯ ГАРАЖНЫХ ВОРОТ



Внешняя сторона



Внутренняя сторона

Устройство запирающее

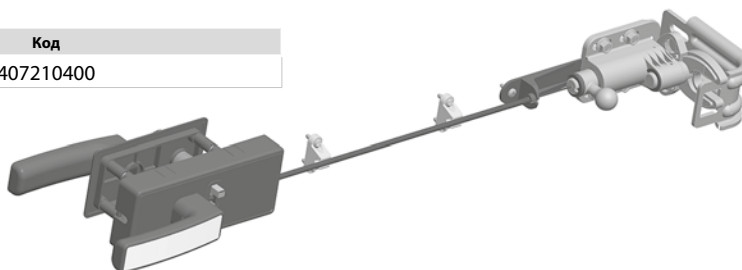
Предназначено для запирания гаражных ворот с пружинами растяжения и торсионными пружинами.

В комплект входят:

- устройство запирающее;
- крышка для внутренней ручки, цвет близкий RAL 9002;
- цилиндрический механизм 10/53 мм.

Вес, кг/шт. 2,80
Единица измерения шт.
Норма поставки, шт. 1

Артикул	Код
RLT-403	407210400

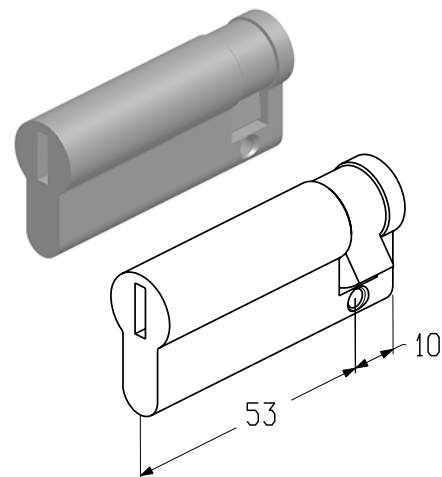


Цилиндрический механизм 10/53 мм

Используется совместно с устройством запирающим (RLT-403).

Вес, кг 0,19
Единица измерения шт.
Норма поставки, шт. 1

Артикул	Код
C-10/53	418700054

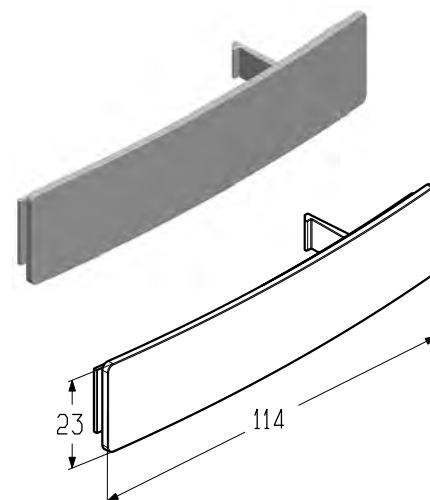


АКСЕССУАРЫ ДЛЯ СЕКЦИОННЫХ ВОРОТ

Крышка

Используется совместно с устройством запирающим (RLT-403).

Материал ABS
 Вес, кг/м 0,01
 Единица измерения шт.
 Норма поставки, шт. 1

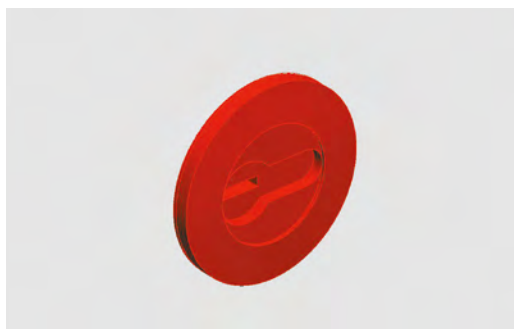


Артикул	Код	Цвет*
RLG003.226.01	407230000	RAL 9016
RLG003.226.02	407230100	RAL 8014
RLG003.226.03	407230200	RAL 9006
RLG003.226.04	407230300	RAL 5010
RLG003.226.09	407230400	RAL 6005
RLG003.226.10	407230500	RAL 1015
RLG003.226.12	407230600	RAL 3004
RLG003.226.15	407230700	RAL 9002
RLG003.226.16	407230800	RAL 7016
RLG003.226.17	407230900	RAL 8017
RLG003.226.18	407231000	RAL 9005

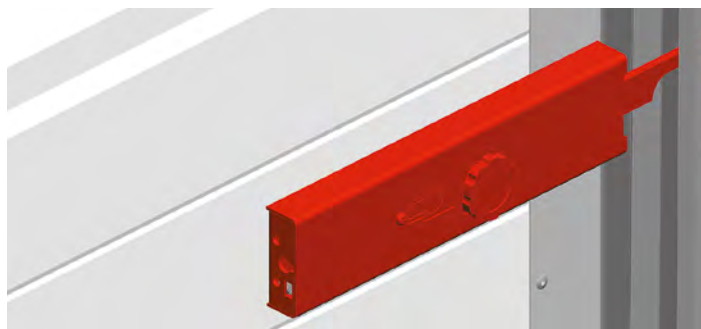
* Указанные в формате RAL **** цвета имеют близкое соответствие шкале RAL.

АКСЕССУАРЫ ДЛЯ СЕКЦИОННЫХ ВОРОТ

УСТАНОВКА ЗАМКА РИГЕЛЬНОГО ДЛЯ ПРОМЫШЛЕННЫХ ВОРОТ



Внешняя сторона



Внутренняя сторона

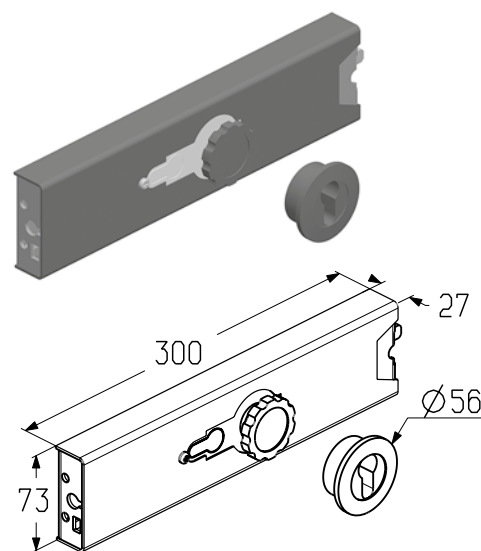
Замок ригельный

Предназначен для запираения промышленных ворот всех типов монтажа, кроме низкого с передним расположением вала (тип 2).

Используется совместно с цилиндрическим механизмом 9/52 мм (C-9/52).

Вес, кг/шт.	1,85
Единица измерения	шт.
Норма поставки, шт.	3

Артикул	Код
RLI0103	401970600

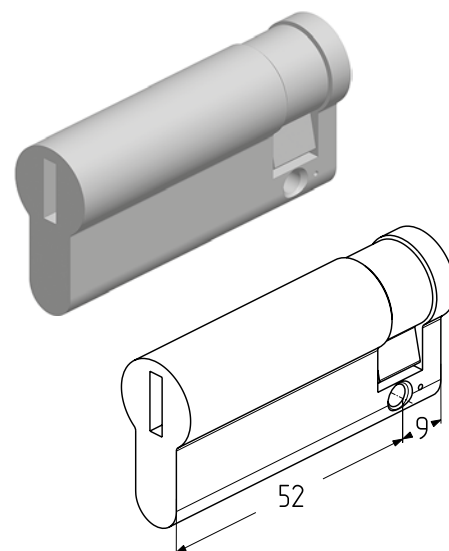
**Цилиндрический механизм 9/52 мм**

Предназначен для запираения промышленных ворот всех типов монтажа.

Используется совместно с замком ригельным (RLI0103).

Вес, кг/шт.	0,25
Единица измерения	шт.
Норма поставки, шт.	3

Артикул	Код
C-9/52	407280100



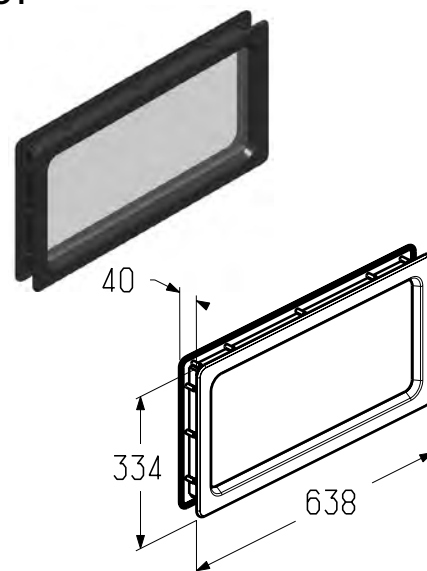
АКСЕССУАРЫ ДЛЯ СЕКЦИОННЫХ ВОРОТ

Вставка светопрозрачная

Используется в гаражных и промышленных воротах с рисунком полотна микроволна, S-, M-, L-гофр.

Материал SAN
 Вес, кг/шт. 1,65
 Единица измерения шт.
 Норма поставки, шт. 8

Артикул	Код
W046-40	401985600

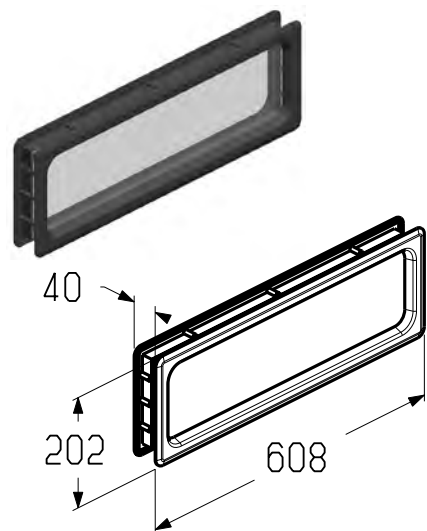


Вставка светопрозрачная

Используется в гаражных и промышленных воротах с рисунком полотна микроволна, S-, M-, L-гофр.

Материал SAN
 Вес, кг/шт. 1,11
 Единица измерения шт.
 Норма поставки, шт. 12

Артикул	Код
W085-40	401985500

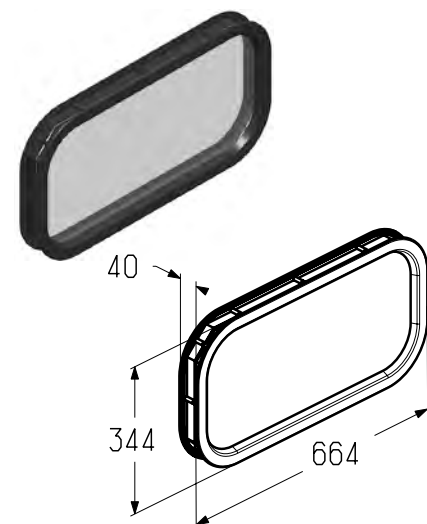


Вставка светопрозрачная

Используется в гаражных и промышленных воротах с рисунком полотна микроволна, S-, M-, L-гофр.

Материал SAN
 Вес, кг/шт. 1,67
 Единица измерения шт.
 Норма поставки, шт. 8

Артикул	Код
W095-40	401985400



АКСЕССУАРЫ ДЛЯ СЕКЦИОННЫХ ВОРОТ

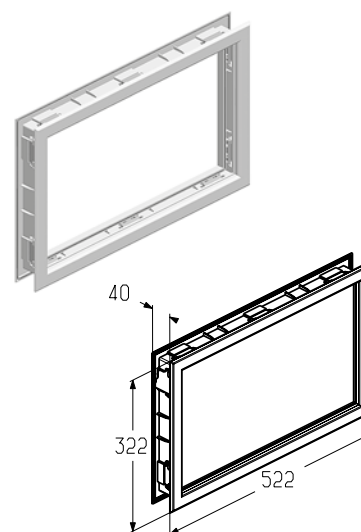
Комплект рамок

Используется для остекления гаражных и промышленных ворот с рисунком полотна микроволна, S-, M-, L-гофр, филенка в составе вставок светопрозрачных **W043WH-CG40, W043BR-CG40, W043WH-TG40, W043BR-TG40, W043WH-MG40, W043BR-MG40, W043WH-GG40, W043BR-GG40.**

Применяется совместно с заполнением светопрозрачным **W043-CG, W043-TG, W043-MG, W043-GG.**

Материал	ABS
Вес, кг/шт.	1,95
Единица измерения	шт.
Норма поставки, шт.	10

Артикул	Код	Цвет
W043-WH40	401986500	Белый
W043-BR40	401986600	Коричневый



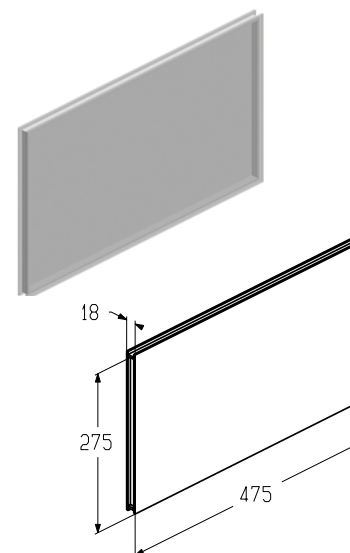
Заполнение светопрозрачное

Используется для остекления гаражных и промышленных ворот с рисунком полотна микроволна, S-, M-, L-гофр, филенка в составе вставок светопрозрачных **W043WH-CG40, W043BR-CG40, W043WH-TG40, W043BR-TG40, W043WH-MG40, W043BR-MG40, W043WH-GG40, W043BR-GG40.**

Применяется совместно с комплектом рамок оконных **W043-WH40, W043-BR40.**

Материал	SAN
Вес, кг/шт.	1,15
Единица измерения	шт.
Норма поставки, шт.	10

Артикул	Код	Тип остекления
W043-CG	401985900	SAN-остекление кристаллическое
W043-TG	401986000	SAN-остекление прозрачное
W043-MG	417500275	SAN-остекление опаловое матовое
W043-GG	417500325	SAN-остекление серое прозрачное



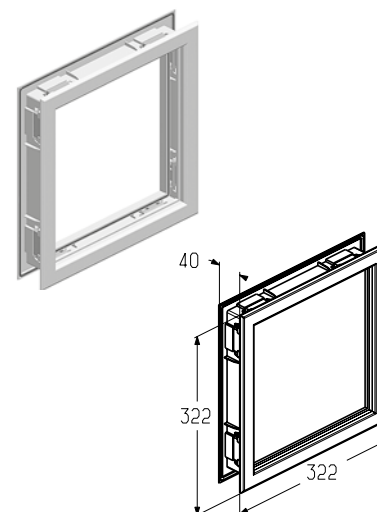
Комплект рамок

Используется для остекления гаражных и промышленных ворот с рисунком полотна микроволна, S-гофр, M-гофр, L-гофр в составе вставок светопрозрачных **W050WH-CG40, W050BR-CG40, W050WH-40, W050BR-40, W050WH-MG40, W050BR-MG40, W050WH-GG40, W050BR-GG40.**

Применяется совместно с заполнением светопрозрачным **W050-CG, W050-TG, W050-MG, W050-GG.**

Материал	ABS
Вес, кг/шт.	1,59
Единица измерения	шт.
Норма поставки, шт.	10

Артикул	Код	Цвет
W050-WH40	401987300	Белый
W050-BR40	401987400	Коричневый



АКСЕССУАРЫ ДЛЯ СЕКЦИОННЫХ ВОРОТ

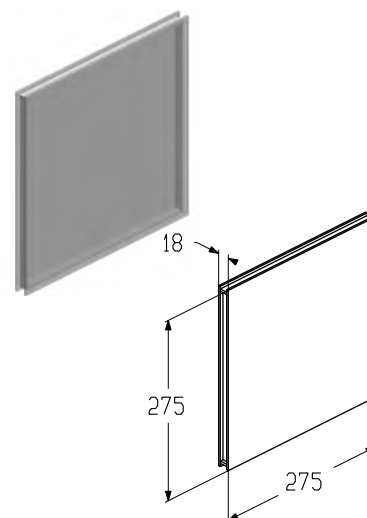
Заполнение светопрозрачное

Используется для остекления гаражных и промышленных ворот с рисунком полотна микроволна, S-, M-, L-гофр в составе вставок светопрозрачных **W050WH-CG40, W050BR-CG40, W050WH-40, W050BR-40, W050WH-MG40, W050BR-MG40, W050WH-GG40, W050BR-GG40.**

Применяется совместно с комплектом рамок оконных **W050-WH40, W050-BR40.**

Материал	SAN
Вес, кг/шт.	0,97
Единица измерения	шт.
Норма поставки, шт.	10

Артикул	Код	Тип остекления
W050-CG	401986300	SAN-остекление кристаллическое
W050-TG	401986100	SAN-остекление прозрачное
W050-MG	417500276	SAN-остекление опаловое матовое
W050-GG	417500326	SAN-остекление серое прозрачное



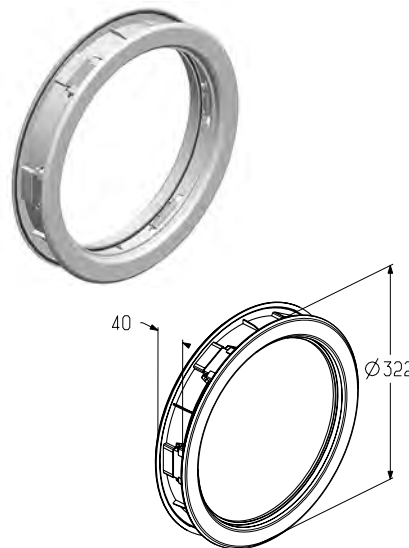
Комплект рамок

Используется для остекления гаражных и промышленных ворот с рисунком полотна микроволна, S-, M-, L-гофр в составе вставок светопрозрачных **W060WH-CG40, W060BR-CG40, W060WH-40, W060BR-40, W060WH-MG40, W060BR-MG40, W060WH-GG40, W060BR-GG40.**

Применяется совместно с заполнением светопрозрачным **W060-CG, W060-TG, W060-MG, W060-GG.**

Материал	ABS
Вес, кг/шт.	1,47
Единица измерения	шт.
Норма поставки, шт.	10

Артикул	Код	Цвет
W060-WH40	401987500	Белый
W060-BR40	401987600	Коричневый



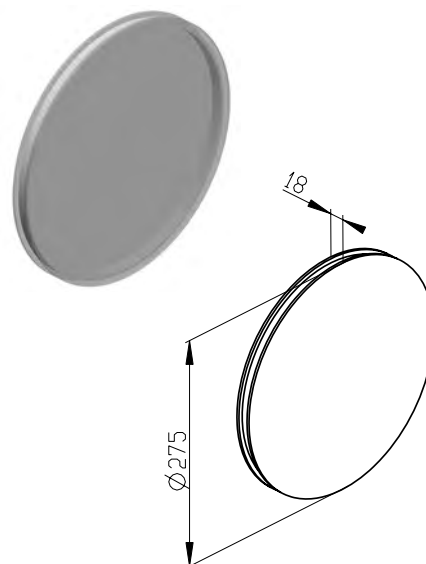
Заполнение светопрозрачное

Используется для остекления гаражных и промышленных ворот с рисунком полотна микроволна, S-, M-, L-гофр в составе вставок светопрозрачных **W060WH-CG40, W060BR-CG40, W060WH-40, W060BR-40, W060WH-MG40, W060BR-MG40, W060WH-GG40, W060BR-GG40.**

Применяется совместно с комплектом рамок оконных **W060-WH40, W060-BR40.**

Материал	SAN
Вес, кг/шт.	0,98
Единица измерения	шт.
Норма поставки, шт.	10

Артикул	Код	Тип остекления
W060-CG	401986400	SAN-остекление кристаллическое
W060-TG	401986200	SAN-остекление прозрачное
W060-MG	417500277	SAN-остекление матовое
W060-GG	417500327	SAN-остекление серое прозрачное



АКСЕССУАРЫ ДЛЯ СЕКЦИОННЫХ ВОРОТ

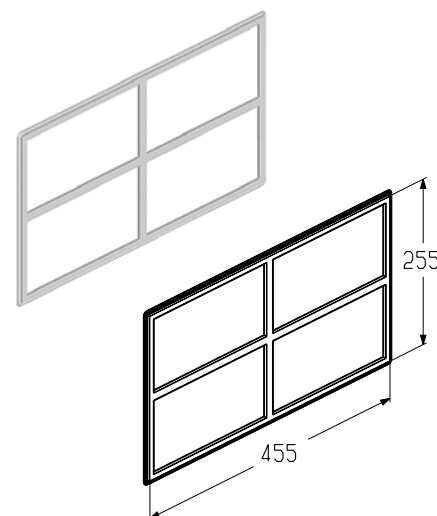
Вставка декоративная Cross

Предназначена для установки совместно с заполнением светопрозрачным и комплектом рамок в составе вставок светопрозрачных (**W043WH-CG40, W043WH-TG40, W043WH-MG40, W043WH-GG40, W043BR-CG40, W043BR-TG40, W043BR-MG40, W043BR-GG40**).

Используется для остекления гаражных и промышленных ворот с рисунком полотна микроволна, S-, M-, L-гофр.

Вес, кг/шт.	1,10
Единица измерения	шт.
Норма поставки, шт.	80

Артикул	Код	Цвет
DIC043WH	401983400	Белый
DIC043BR	401983500	Коричневый

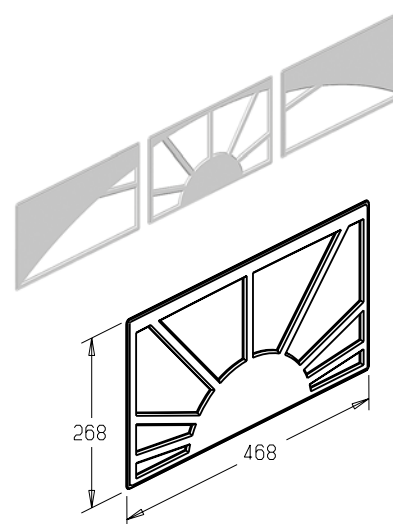
**Комплект вставок декоративных Sunrise 3**

Предназначен для установки совместно с заполнением светопрозрачным и комплектом рамок в составе вставок светопрозрачных (**W043WH-CG40, W043WH-TG40, W043WH-MG40, W043WH-GG40, W043BR-CG40, W043BR-TG40, W043BR-MG40, W043BR-GG40**).

Используется для остекления гаражных и промышленных ворот с рисунком полотна микроволна, S-, M-, L-гофр.

Вес, кг/шт.	0,49
Единица измерения	шт.
Норма поставки, шт.	20

Артикул	Код	Цвет
DIS043WH-3	401982500	Белый
DIS043BR-3	401981900	Коричневый

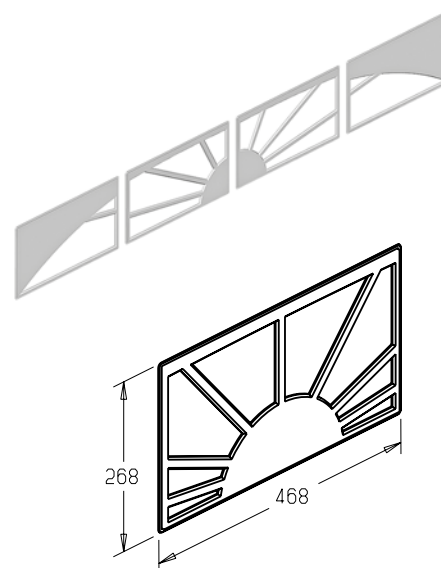
**Комплект вставок декоративных Sunrise 4**

Предназначен для установки совместно с заполнением светопрозрачным и комплектом рамок в составе вставок светопрозрачных (**W043WH-CG40, W043WH-TG40, W043WH-MG40, W043WH-GG40, W043BR-CG40, W043BR-TG40, W043BR-MG40, W043BR-GG40**).

Используется для остекления гаражных и промышленных ворот с рисунком полотна микроволна, S-, M-, L-гофр.

Вес, кг/шт.	0,58
Единица измерения	шт.
Норма поставки, шт.	20

Артикул	Код	Цвет
DIS043WH-4	401981500	Белый
DIS043BR-4	401982600	Коричневый



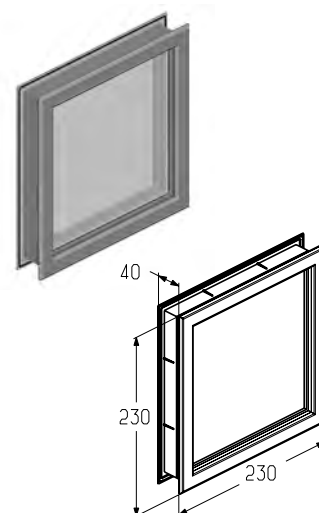
АКСЕССУАРЫ ДЛЯ СЕКЦИОННЫХ ВОРОТ

Вставка светопрозрачная

Используется для остекления гаражных и промышленных ворот с рисунком полотна микроволна, S-, M-, L-гофр.

Материал нержавеющая сталь
 Вес, кг/шт. 1,20
 Единица измерения шт.
 Норма поставки, шт. 1

Артикул	Код	Тип остекления
W51SS-40	401985700	Однокамерный пакет из акрилата

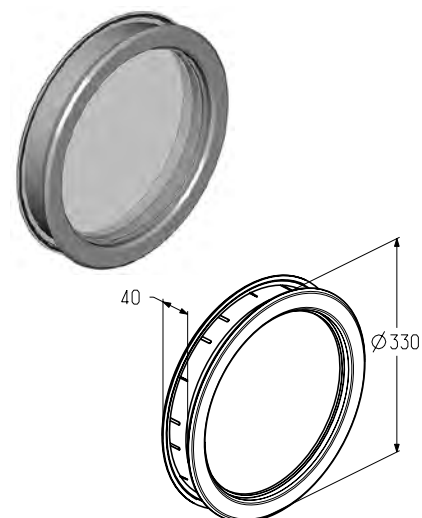


Вставка светопрозрачная

Используется для остекления гаражных и промышленных ворот с рисунком полотна микроволна, S-, M-, L-гофр.

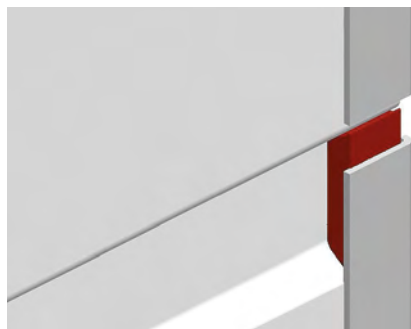
Материал нержавеющая сталь
 Вес, кг/шт. 1,96
 Единица измерения шт.
 Норма поставки, шт. 1

Артикул	Код	Тип остекления
W61SS-40	401985800	Безопасное стекло



АКСЕССУАРЫ ДЛЯ СЕКЦИОННЫХ ВОРОТ

УСТАНОВКА ЗАГЛУШКИ И ЗАГЛУШКИ МЕЖПАНЕЛЬНОЙ



Заглушка межпанельная
(P-1501)



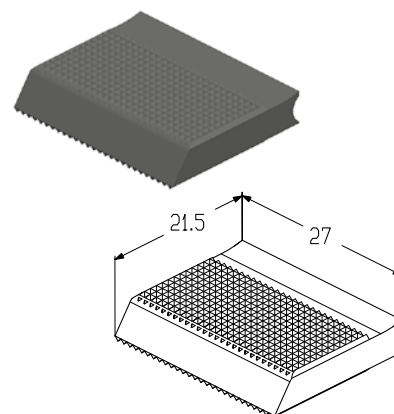
Заглушка
(P-1502)

Заглушка межпанельная

Устанавливается совместно с боковой накладкой (EC-40.450R/L, EC-40.500R/L, EC-40.625R/L, EC-40.450DR/L, EC-40.500DR/L, EC-40.625DR/L). Используется в гаражных и промышленных воротах с рисунками полотна S-, M- и L-гофр.

Материал	TPER
Вес, кг/шт.	0,003
Единица измерения	шт.
Норма поставки, шт.	5000

Артикул	Код
P-1501	401990100

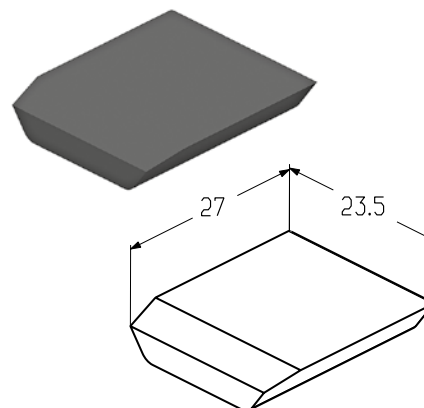


Заглушка

Устанавливается совместно с боковой накладкой (EC-40.450R/L, EC-40.500R/L, EC-40.625R/L, EC-40.450DR/L, EC-40.500DR/L, EC-40.625DR/L). Используется в гаражных и промышленных воротах с рисунками полотна S- и M-гофр.

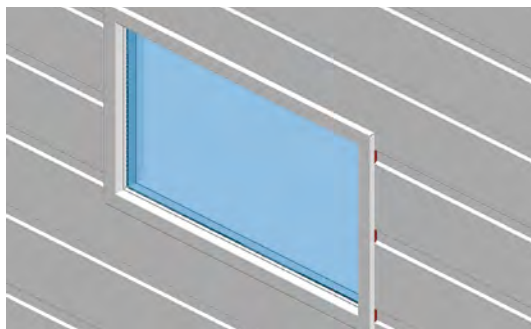
Материал	TPER
Вес, кг/шт.	0,001
Единица измерения	шт.
Норма поставки, шт.	5000

Артикул	Код
P-1502	401990200



АКСЕССУАРЫ ДЛЯ СЕКЦИОННЫХ ВОРОТ

УСТАНОВКА ЗАГЛУШКИ ОКОННОЙ



**Заглушка оконная
P1012**

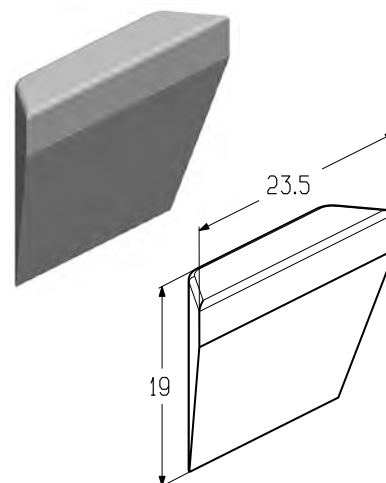
Заглушка оконная

Устанавливается совместно со вставками светопрозрачными:

- **W085-40, W095-40, W046-40;**
- **W043WH-TG40, W043WH-CG40, W043WH-MG40, W043WH-GG40, W043BR-TG40, W043BR-CG40, W043BR-MG40, W043BR-GG40;**
- **W050WH-40, W050WH-CG40, W050WH-MG40, W050WH-GG40, W050BR-40, W050BR-CG40, W050BR-MG40, W050BR-GG40;**
- **W060WH-40, W060WH-CG40, W060WH-MG40, W060WH-GG40, W060BR-40, W060BR-CG40, W060BR-MG40, W060BR-GG40.**

Используется в гаражных и промышленных воротах с рисунками полотна S- и М-гофр.

Материал полиуретан
 Вес, кг/шт. 0,002
 Единица измерения шт.
 Норма поставки, шт 6000



Артикул	Код
P1012	401982400

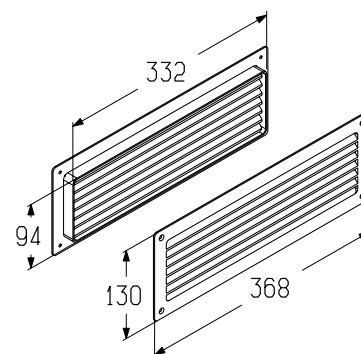
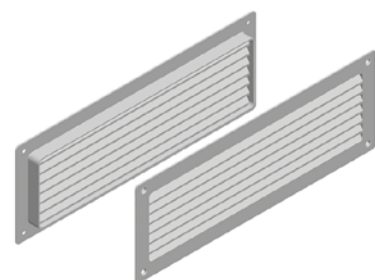
АКСЕССУАРЫ ДЛЯ СЕКЦИОННЫХ ВОРОТ

Решетка вентиляционная

Используется в гаражных и промышленных воротах с рисунками полотна микроволна, S-, M- и L-гофр.

Материал пластмасса
 Вес, кг/к-т 0,48
 Единица измерения к-т
 Норма поставки, к-т 10

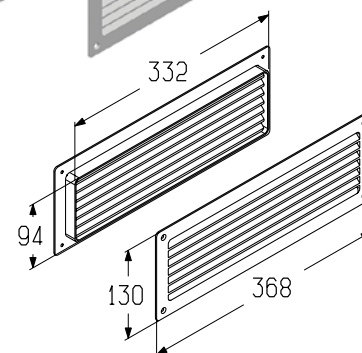
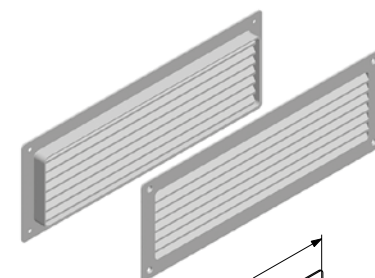
Артикул	Код	Тип	Цвет с наружной стороны	Состав комплекта		
				арт.	код	кол-во
VG-368RWH	401900000	регулируемая	Белый	MV350Rs-W	4000358	1
				MV350s-W	4000357	1
				3,9×19 сверл.	1598	8
VG-368RBK	401900100	регулируемая	Черный	MV350Rs-W	4000358	1
				MV350s-B	4000359	1
				3,9×19 сверл.	1598	8
VG-368WH	401900200	нерегулируемая	Белый	MV350s-W	4000357	2
				3,9×19 сверл.	1598	8
				MV350s-W	4000357	1
VG-368BK	401900300	нерегулируемая	Черный	MV350s-B	4000359	1
				3,9×19 сверл.	1598	8
				MV350s-B	4000359	1

**Решетка вентиляционная регулируемая (белая)****Решетка вентиляционная нерегулируемая (белая/черная)**

Используется в гаражных и промышленных воротах с рисунками полотна микроволна, S-, M- и L-гофр.

Материал пластмасса
 Единица измерения шт.
 Норма поставки, шт. 10

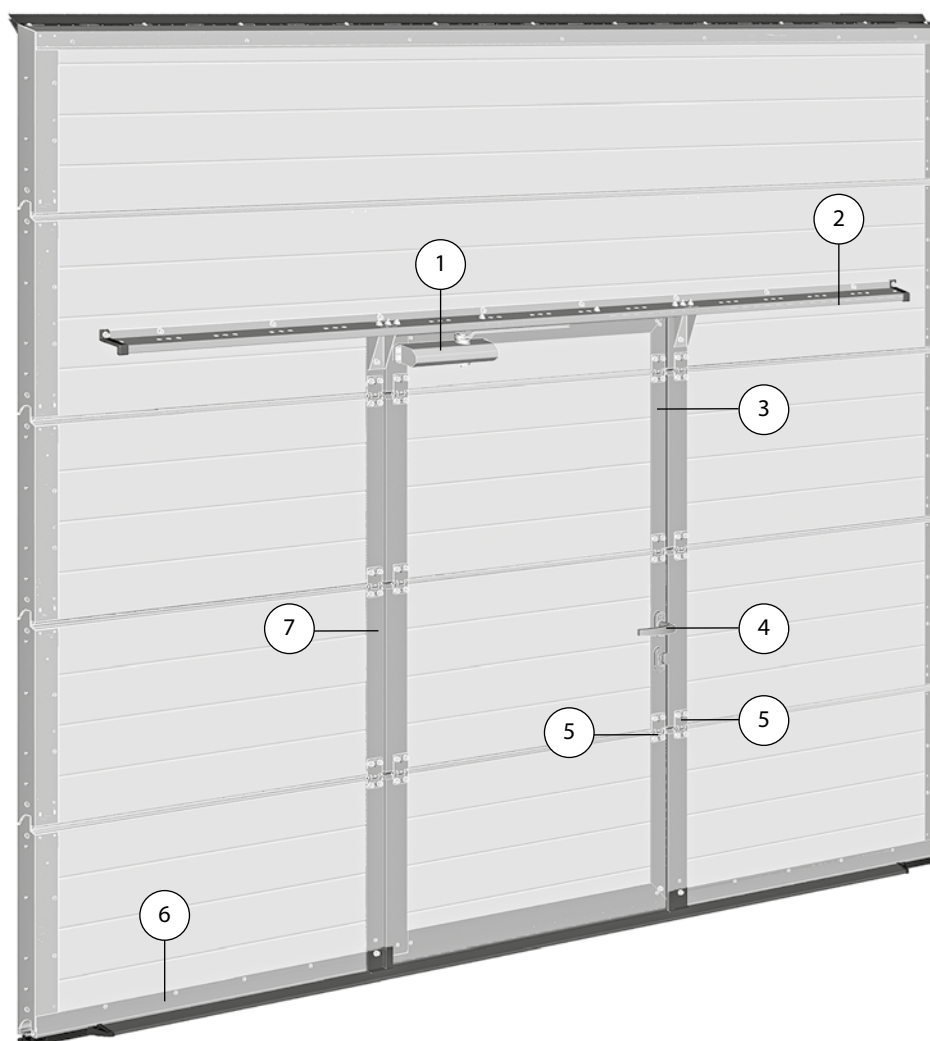
Артикул	Код	Тип решетки	Вес, кг	Цвет
MV350Rs-W	4000358	регулируемая	0,24	Белый
MV350s-W	4000357	нерегулируемая	0,16	Белый
MV350s-B	4000359		0,17	Черный



1.3

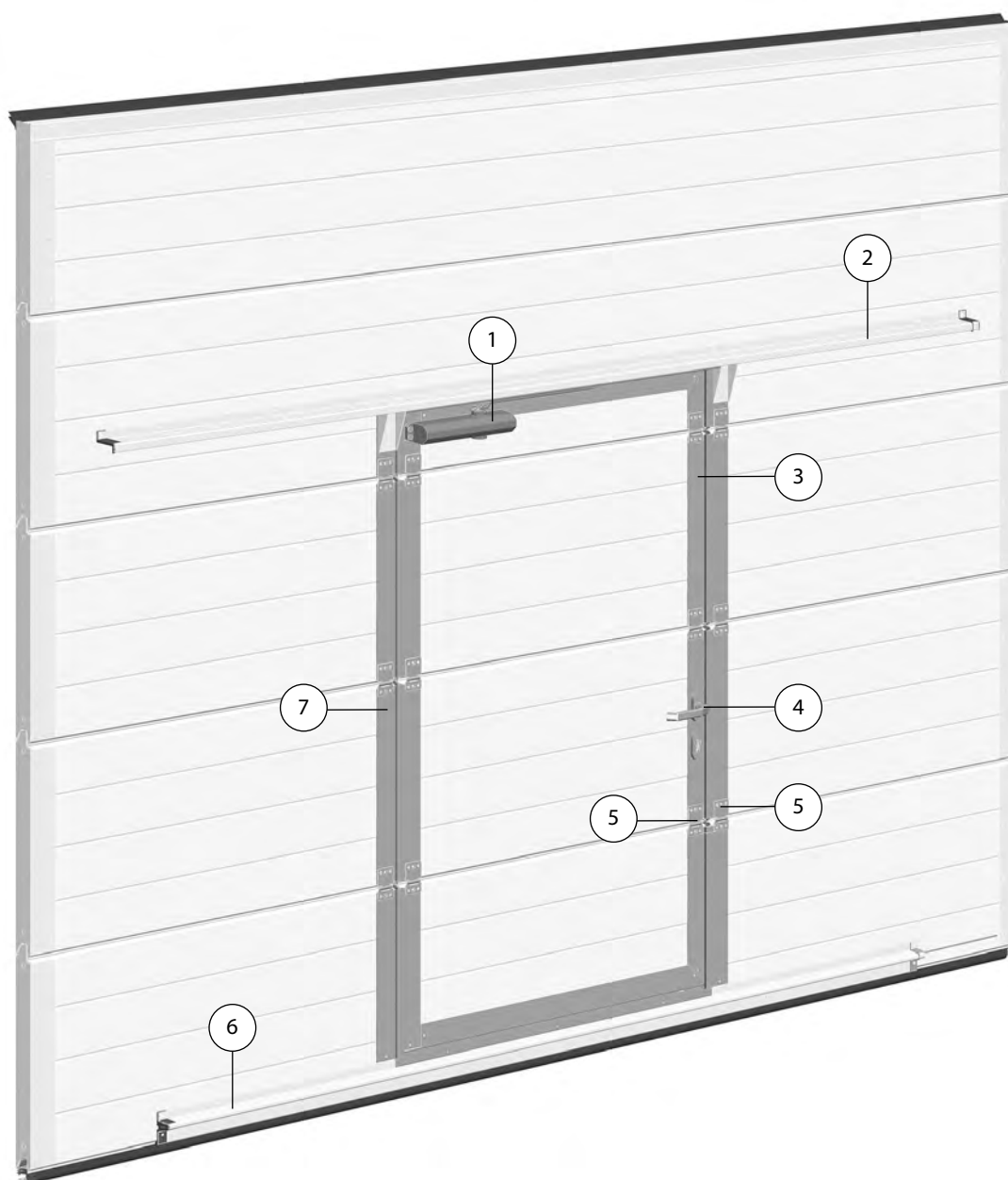
Встроенная калитка

ТИПОВАЯ КОНСТРУКЦИЯ КАЛИТКИ С ПЛОСКИМ ПОРОГОМ ВЫСОТОЙ 18 ММ



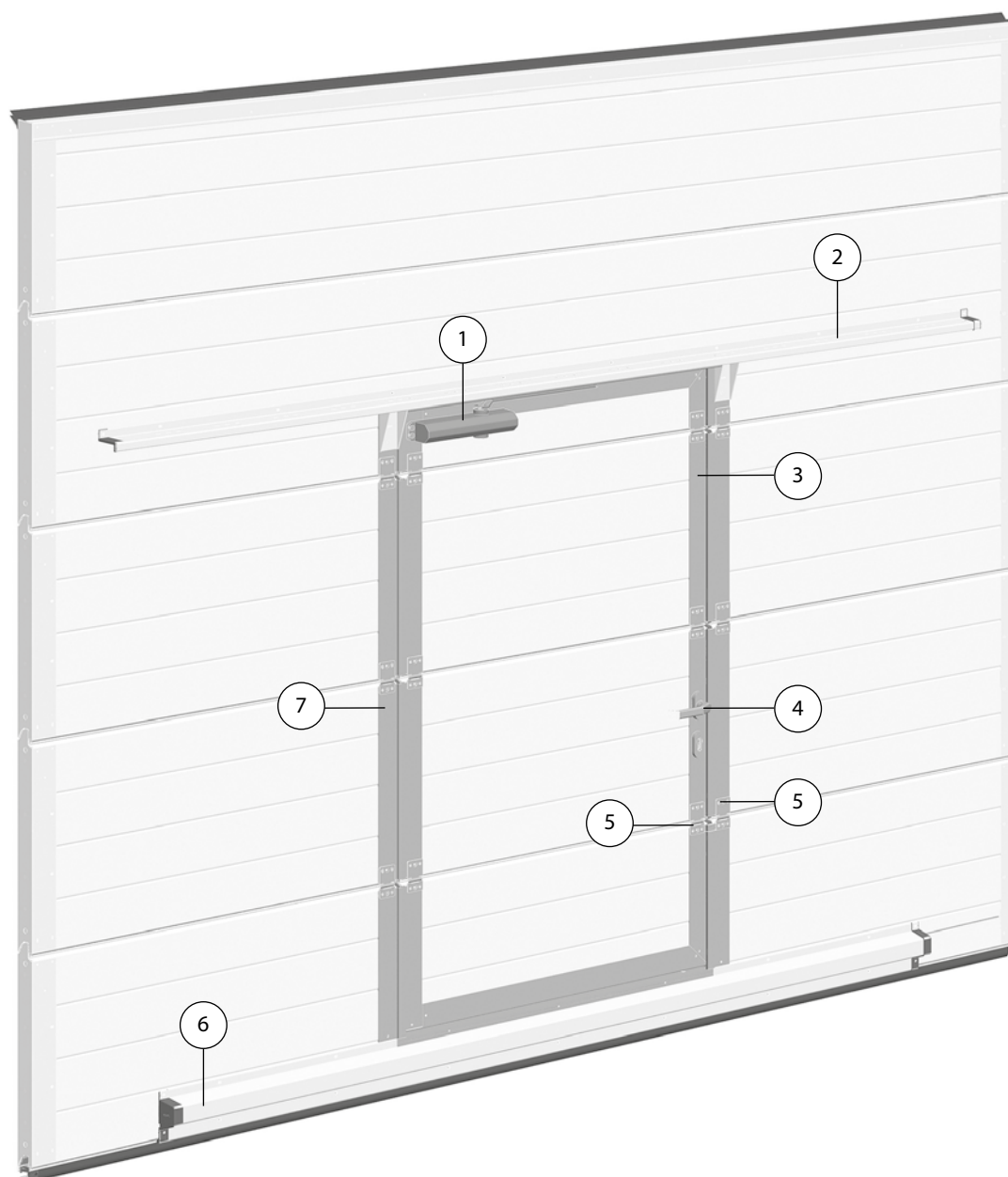
№	Наименование
1	Доводчик дверной
2	Профиль усиливающий (PRG-17)
3	Обрамление калитки
4	Комплект ручек
5	Петля промежуточная
6	Профиль воротный (PRD113)
7	Обрамление проема

ТИПОВАЯ КОНСТРУКЦИЯ КАЛИТКИ С НИЗКИМ ПОРОГОМ ВЫСОТОЙ 100 ММ



№	Наименование
1	Доводчик дверной
2	Профиль усиливающий (PRG-17)
3	Обрамление калитки
4	Комплект ручек
5	Петля промежуточная
6	Профиль усиливающий (PRG-12)
7	Обрамление проема

ТИПОВАЯ КОНСТРУКЦИЯ КАЛИТКИ СО СТАНДАРТНЫМ ПОРОГОМ ВЫСОТОЙ 145 ММ



№	Наименование
---	--------------

- | | |
|---|---------------------------------------|
| 1 | Доводчик дверной |
| 2 | Профиль усиливающий (PRG-17) |
| 3 | Обрамление калитки |
| 4 | Комплект ручек |
| 5 | Петля промежуточная |
| 6 | Профиль усиливающий (PRG-13) |
| 7 | Обрамление проема |

1.1

1.2

1.3

1.4

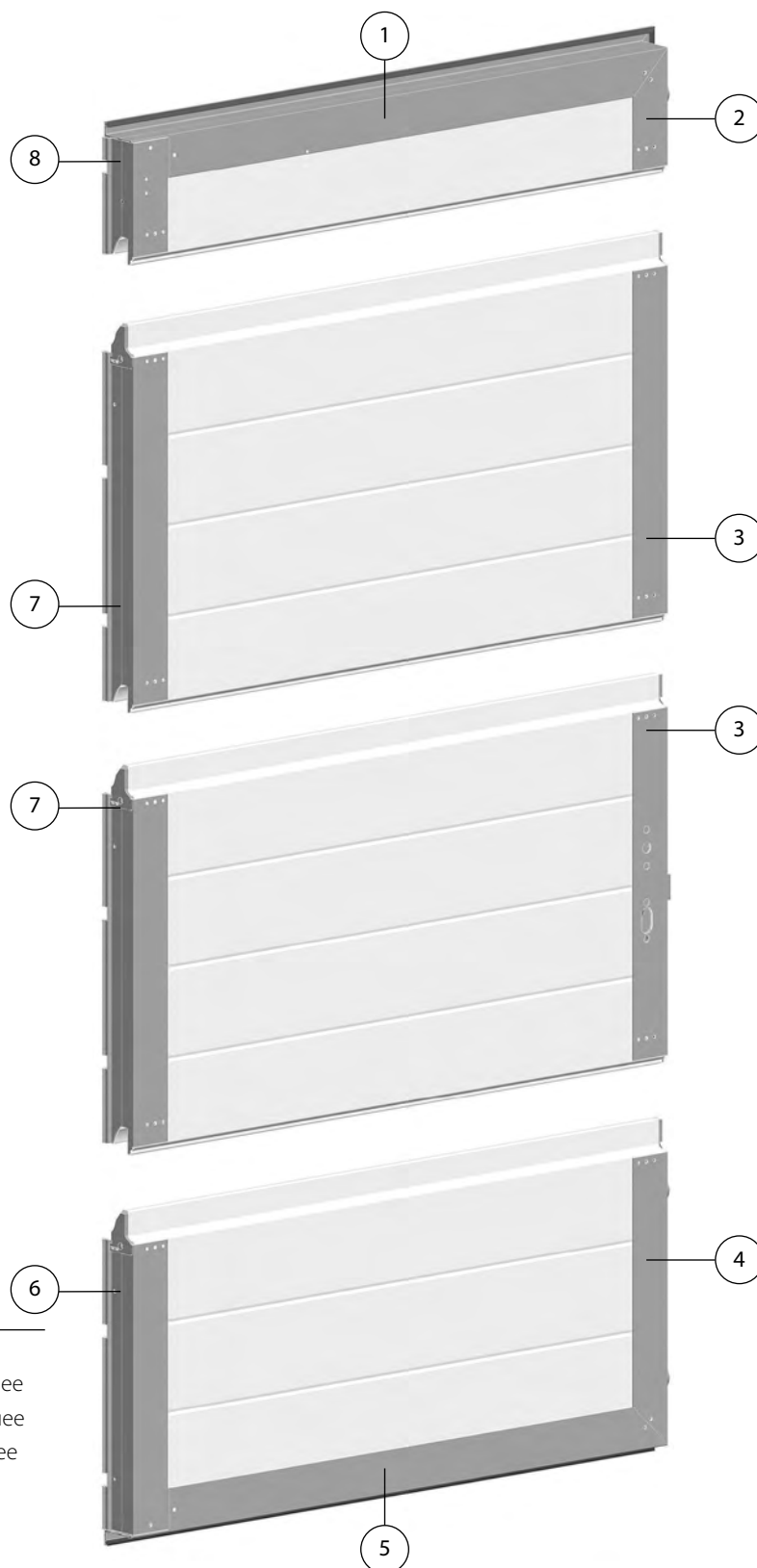
1.5

2

3

4

ОБРАМЛЕНИЕ КАЛИТКИ



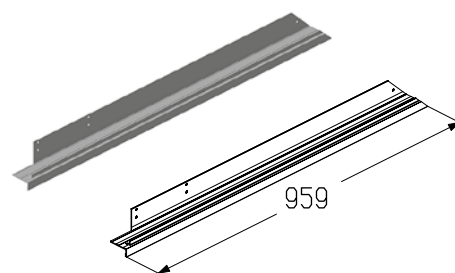
№	Наименование
1	Обрамление верха калитки
2	Обрамление калитки верхнее
3	Обрамление калитки среднее
4	Обрамление калитки нижнее
5	Обрамление низа калитки
6	Петля калитки нижняя
7	Петля калитки средняя
8	Петля калитки верхняя

ОБРАМЛЕНИЕ КАЛИТКИ

Обрамление верха калитки

Предназначено для обрамления верхней калиточной панели.
Используется в калитке с плоским, низким и стандартным порогом.

Длина, мм	959
Материал	алюминий
Вес, кг/шт.	0,660
Единица измерения	шт.
Норма поставки, шт.	10

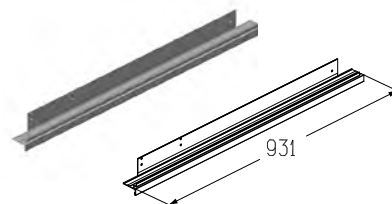


Артикул	Код	Покрытие	Цвет*	Применение
WD-40.403R.203H	407910405	Анодированное	A00-D6 (серебро)	Для ворот с правой калиткой
	407910406	Порошковое	RAL 8019	
WD-40.403L.203H	407910409	Анодированное	A00-D6 (серебро)	Для ворот с левой калиткой
	407910410	Порошковое	RAL 8019	

Обрамление верха калитки

Предназначено для обрамления верхней калиточной панели.
Используется в калитке с плоским, низким и стандартным порогом совместно с петлями арт. **WH-100**.

Длина, мм	931
Материал	алюминий
Вес, кг/шт.	0,650
Единица измерения	шт.
Норма поставки, шт.	10

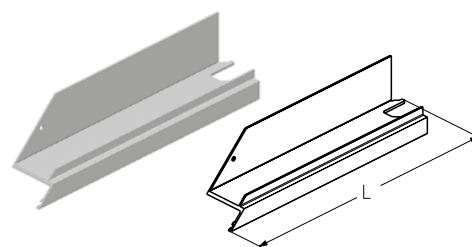


Артикул	Код	Покрытие	Цвет* Степень блеска	Применение
WDE-40.403R.203H	407912316	Анодированное	A00-D6 (серебро)	Для ворот с правой калиткой
	407912317	Порошковое	RAL 8019 30	
WDE-40.403L.203H	407912562	Анодированное	A00-D6 (серебро)	Для ворот с левой калиткой
	407912563	Порошковое	RAL 8019 30	

Обрамление калитки верхнее

Предназначено для обрамления верхней калиточной панели.
Используется в калитке с плоским, низким и стандартным порогом.

Материал	алюминий
Единица измерения	шт.
Норма поставки, шт.	10



Артикул	Код	Покрытие	Цвет*	Длина (L), мм	Вес, кг/шт.	Применение
WD-40.403R.202	404012391	Анодированное	A00-D6 (серебро)	191	0,115	Для ворот с правой калиткой
	404012833	Порошковое	RAL 8019			
WD-40.404R.202	404012591	Анодированное	A00-D6 (серебро)	316	0,197	
	404013033	Порошковое	RAL 8019			
WD-40.403L.202	404012291	Анодированное	A00-D6 (серебро)	191	0,115	Для ворот с левой калиткой
	404012733	Порошковое	RAL 8019			
WD-40.404L.202	404012491	Анодированное	A00-D6 (серебро)	316	0,197	
	404012933	Порошковое	RAL 8019			

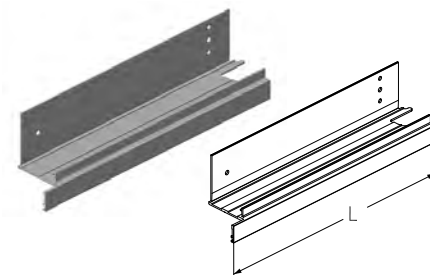
* Указанные в формате RAL **** цвета имеют близкое соответствие шкале RAL.

ОБРАМЛЕНИЕ КАЛИТКИ

Обрамление калитки верхнее

Предназначено для обрамления верхней калиточной панели.
 Используется в калитке с плоским, низким и стандартным порогом совместно с петлями арт. **WH-100**.

Материал алюминий
 Единица измерения шт.
 Норма поставки, шт. 10

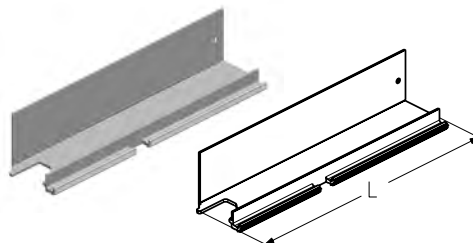


Артикул	Код	Покрытие	Цвет* Степень блеска	Длина (L), мм	Вес, кг/шт.	Применение
WDE-40.403R.202	407912586	Анодированное	A00-D6 (серебро)	178	0,119	Для ворот с правой калиткой
	407912587	Порошковое	RAL 8019 30			
WDE-40.404R.202	407912544	Анодированное	A00-D6 (серебро)	303	0,203	
	407912545	Порошковое	RAL 8019 30			
WDE-40.403L.202	407912538	Анодированное	A00-D6 (серебро)	178	0,119	
	407912539	Порошковое	RAL 8019 30			
WDE-40.404L.202	407912541	Анодированное	A00-D6 (серебро)	303	0,203	Для ворот с левой калиткой
	407912542	Порошковое	RAL 8019 30			

Петля калитки верхняя

Предназначена для обрамления верхней калиточной панели.
 Используется в калитке с плоским, низким и стандартным порогом.

Материал алюминий
 Единица измерения шт.
 Норма поставки, шт. 10

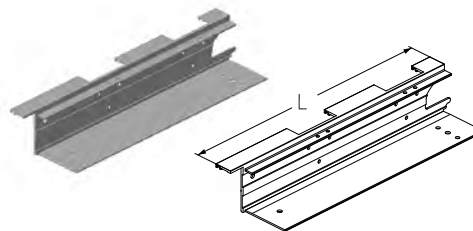


Артикул	Код	Покрытие	Цвет*	Длина (L), мм	Вес, кг/шт.	Применение
WD-40.403R.201	404210591	Анодированное	A00-D6 (серебро)	156	0,123	Для ворот с правой калиткой
	404211733	Порошковое	RAL 8019			
WD-40.404R.201	404210791	Анодированное	A00-D6 (серебро)	281	0,223	
	404211933	Порошковое	RAL 8019			
WD-40.403L.201	404210491	Анодированное	A00-D6 (серебро)	156	0,123	
	404211633	Порошковое	RAL 8019			
WD-40.404L.201	404210691	Анодированное	A00-D6 (серебро)	281	0,223	Для ворот с левой калиткой
	404211833	Порошковое	RAL 8019			

Петля калитки верхняя

Предназначена для обрамления верхней калиточной панели.
 Используется в калитке с плоским, низким и стандартным порогом совместно с петлями арт. **WH-100**.

Материал алюминий
 Единица измерения шт.
 Норма поставки, шт. 10



Артикул	Код	Покрытие	Цвет* Степень блеска	Длина (L), мм	Вес, кг/шт.	Применение
WDE-40.403R.201	407911827	Анодированное	A00-D6 (серебро)	178	0,112	Для ворот с правой калиткой
	407911828	Порошковое	RAL 8019 30			
WDE-40.404R.201	407911833	Анодированное	A00-D6 (серебро)	303	0,191	
	407911834	Порошковое	RAL 8019 30			
WDE-40.403L.201	407911824	Анодированное	A00-D6 (серебро)	178	0,112	
	407911825	Порошковое	RAL 8019 30			
WDE-40.404L.201	407911830	Анодированное	A00-D6 (серебро)	303	0,191	Для ворот с левой калиткой
	407911831	Порошковое	RAL 8019 30			

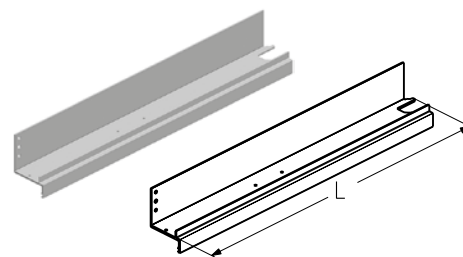
* Указанные в формате RAL **** цвета имеют близкое соответствие шкале RAL.

ОБРАМЛЕНИЕ КАЛИТКИ

Обрамление калитки среднее

Предназначено для обрамления третьей или четвертой калиточной панели.
Используется в калитке с плоским, низким и стандартным порогом.

Материал алюминий
Единица измерения шт.
Норма поставки, шт. 10

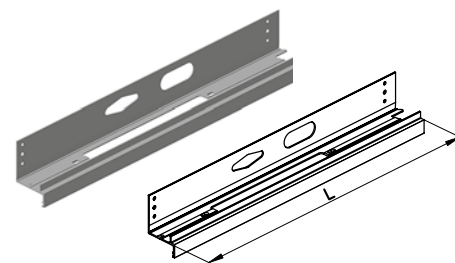


Артикул	Код	Покрытие	Цвет*	Длина (L), мм	Вес, кг/шт.	Применение
WD-40.350R.202	404011991	Анодированное	A00-D6 (серебро)	479	0,352	Для ворот с правой калиткой
	404012433	Порошковое	RAL 8019			
WD-40.360R.202	404012191	Анодированное	A00-D6 (серебро)	604	0,445	
	404012633	Порошковое	RAL 8019			
WD-40.350L.202	404011891	Анодированное	A00-D6 (серебро)	479	0,352	Для ворот с левой калиткой
	404012333	Порошковое	RAL 8019			
WD-40.360L.202	404012091	Анодированное	A00-D6 (серебро)	604	0,445	
	404012533	Порошковое	RAL 8019			

Обрамление калитки среднее

Предназначено для обрамления второй или третьей калиточной панели.
Используется в калитке с плоским, низким и стандартным порогом совместно с ручками **WL2021-SL**, **WL2021-BR**, **WL2021-BK**, **WL2022-SL**, **WL2022-BR**, **WL2022-BK**, **WL2025-SL**, **WL2025-BR**, **WL2025-BK**, **WL2026-SL**, **WL2026-BR**, **WL2026-BK**, **PED-2040R**, **PED-2040L**, **PED-2050R**, **PED-2050L**.

Материал алюминий
Единица измерения шт.
Норма поставки, шт. 10

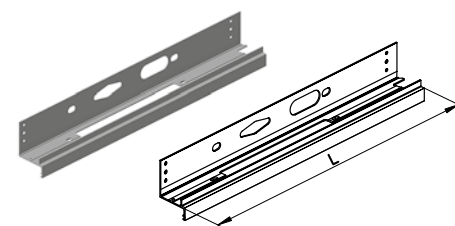


Артикул	Код	Покрытие	Цвет*	Длина (L), мм	Вес, кг/шт.	Применение
WD-40.250R.202KFV	407910273	Анодированное	A00-D6 (серебро)	479	0,323	Для ворот с правой калиткой
	407910272	Порошковое	RAL 8019 30			
WD-40.260R.202KFV	407910279	Анодированное	A00-D6 (серебро)	604	0,416	
	407910278	Порошковое	RAL 8019			
WD-40.250L.202KFV	407910327	Анодированное	A00-D6 (серебро)	479	0,323	Для ворот с левой калиткой
	407910326	Порошковое	RAL 8019			
WD-40.260L.202KFV	407910333	Анодированное	A00-D6 (серебро)	604	0,416	
	407910332	Порошковое	RAL 8019			

Обрамление калитки среднее

Предназначено для обрамления второй или третьей калиточной панели.
Используется в калитке с плоским, низким и стандартным порогом совместно с ручками **FLGU.400.1008**, **FLGU.400.1009**.

Материал алюминий
Единица измерения шт.
Норма поставки, шт. 10



Артикул	Код	Покрытие	Цвет*	Длина (L), мм	Вес, кг/шт.	Применение
WD-40.250R.202KFV-01	407910255	Анодированное	A00-D6 (серебро)	479	0,323	Для ворот с правой калиткой
	407910254	Порошковое	RAL 8019 30			
WD-40.260R.202KFV-01	407910261	Анодированное	A00-D6 (серебро)	604	0,416	
	407910260	Порошковое	RAL 8019			
WD-40.250L.202KFV-01	407910309	Анодированное	A00-D6 (серебро)	479	0,323	Для ворот с левой калиткой
	407910308	Порошковое	RAL 8019			
WD-40.260L.202KFV-01	407910315	Анодированное	A00-D6 (серебро)	604	0,416	
	407910314	Порошковое	RAL 8019			

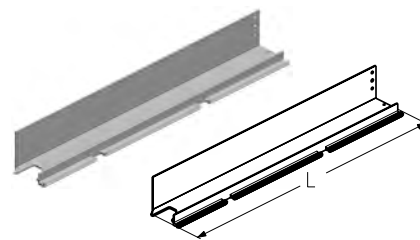
* Указанные в формате RAL **** цвета имеют близкое соответствие шкале RAL.

ОБРАМЛЕНИЕ КАЛИТКИ

Петля калитки средняя

Предназначена для обрамления четвертой, третьей и второй калиточной панели.
Используется в калитке с плоским, низким и стандартным порогом.

Материал алюминий
Единица измерения шт.
Норма поставки, шт. 10

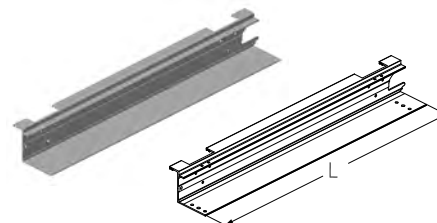


Артикул	Код	Покрытие	Цвет*	Длина (L), мм	Вес, кг/шт.	Применение
WD-40.250R.201	404220391	Анодированное	A00-D6 (серебро)	479	0,386	Для ворот с правой калиткой
	404221333	Порошковое	RAL 8019			
WD-40.260R.201	404220591	Анодированное	A00-D6 (серебро)	604	0,490	
	404221533	Порошковое	RAL 8019			
WD-40.250L.201	404220291	Анодированное	A00-D6 (серебро)	479	0,386	Для ворот с левой калиткой
	404221233	Порошковое	RAL 8019			
WD-40.260L.201	404220491	Анодированное	A00-D6 (серебро)	604	0,490	
	404221433	Порошковое	RAL 8019			

Петля калитки средняя

Предназначена для обрамления четвертой, третьей и второй калиточной панели.
Используется в калитке с плоским, низким и стандартным порогом совместно с петлями арт. **WH-100**.

Материал алюминий
Единица измерения шт.
Норма поставки, шт. 20

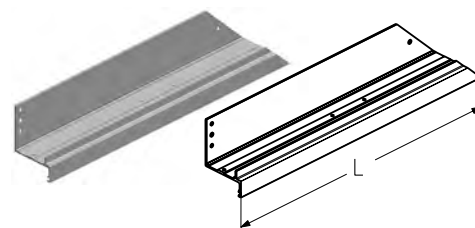


Артикул	Код	Покрытие	Цвет Степень блеска	Длина (L), мм	Вес, кг/шт.	Применение
WDE-40.250R.201	407912001	Анодированное	A00-D6 (серебро)	480	0,332	Для ворот с правой калиткой
	407912002	Порошковое	RAL 8019 30			
WDE-40.260R.201	407912007	Анодированное	A00-D6 (серебро)	605	0,418	
	407912008	Порошковое	RAL 8019 30			
WDE-40.250L.201	407911998	Анодированное	A00-D6 (серебро)	480	0,332	Для ворот с левой калиткой
	407911999	Порошковое	RAL 8019 30			
WDE-40.260L.201	407912004	Анодированное	A00-D6 (серебро)	605	0,418	
	407912005	Порошковое	RAL 8019 30			

Обрамление калитки нижнее

Предназначено для обрамления нижней калиточной панели.
Используется в калитке со стандартным порогом.

Материал алюминий
Единица измерения шт.
Норма поставки, шт. 20



Артикул	Код	Покрытие	Цвет*	Длина (L), мм	Вес, кг/шт.	Применение
WD-40.152R.202	404032591	Анодированное	A00-D6 (серебро)	377	0,258	Для ворот с правой калиткой
	404033133	Порошковое	RAL 8019			
WD-40.162R.202	404033191	Анодированное	A00-D6 (серебро)	502	0,351	
	404033733	Порошковое	RAL 8019			
WD-40.152L.202	404032491	Анодированное	A00-D6 (серебро)	377	0,258	Для ворот с левой калиткой
	404033033	Порошковое	RAL 8019			
WD-40.162L.202	404033091	Анодированное	A00-D6 (серебро)	502	0,351	
	404033633	Порошковое	RAL 8019			

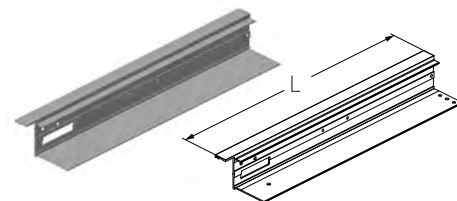
* Указанные в формате RAL **** цвета имеют близкое соответствие шкале RAL.

ОБРАМЛЕНИЕ КАЛИТКИ

Обрамление калитки нижнее

Предназначено для обрамления нижней калиточной панели.
Используется в калитке со стандартным порогом совместно с петлями арт. WH-100.

Материал алюминий
Единица измерения шт.
Норма поставки, шт. 20

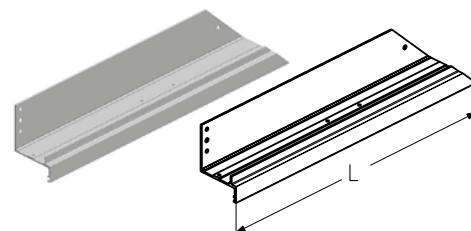


Артикул	Код	Покрытие	Цвет* Степень блеска	Длина (L), мм	Вес, кг/шт.	Применение
WDE-40.152R.202	407912292	Анодированное	A00-D6 (серебро)	377	0,258	Для ворот с правой калиткой
	407912293	Порошковое	RAL 8019 30			
WDE-40.162R.202	407912487	Анодированное	A00-D6 (серебро)	502	0,351	
	407912488	Порошковое	RAL 8019 30			
WDE-40.152L.202	407912289	Анодированное	A00-D6 (серебро)	377	0,258	Для ворот с левой калиткой
	407912290	Порошковое	RAL 8019 30			
WDE-40.162L.202	407912484	Анодированное	A00-D6 (серебро)	502	0,351	
	407912485	Порошковое	RAL 8019 30			

Обрамление калитки нижнее

Предназначено для обрамления нижней калиточной панели.
Используется в калитке с низким порогом.

Материал алюминий
Единица измерения шт.
Норма поставки, шт. 20

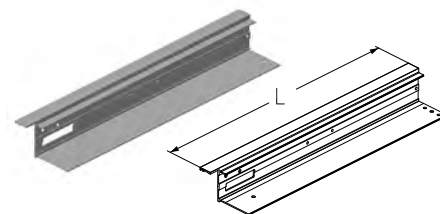


Артикул	Код	Покрытие	Цвет*	Длина (L), мм	Вес, кг/шт.	Применение
WD-40.151R.202	404032391	Анодированное	A00-D6 (серебро)	422	0,291	Для ворот с правой калиткой
	404032933	Порошковое	RAL 8019			
WD-40.161R.202	404032991	Анодированное	A00-D6 (серебро)	547	0,385	
	404033533	Порошковое	RAL 8019			
WD-40.151L.202	404032291	Анодированное	A00-D6 (серебро)	422	0,291	Для ворот с левой калиткой
	404032833	Порошковое	RAL 8019			
WD-40.161L.202	404032891	Анодированное	A00-D6 (серебро)	547	0,385	
	404033433	Порошковое	RAL 8019			

Обрамление калитки нижнее

Предназначено для обрамления нижней калиточной панели.
Используется в калитке с низким порогом совместно с петлями арт. WH-100.

Материал алюминий
Единица измерения шт.
Норма поставки, шт. 20



Артикул	Код	Покрытие	Цвет* Степень блеска	Длина (L), мм	Вес, кг/шт.	Применение
WDE-40.151R.202	407912283	Анодированное	A00-D6 (серебро)	422	0,291	Для ворот с правой калиткой
	407912284	Порошковое	RAL 8019 30			
WDE-40.161R.202	407912475	Анодированное	A00-D6 (серебро)	547	0,385	
	407912476	Порошковое	RAL 8019 30			
WDE-40.151L.202	407912280	Анодированное	A00-D6 (серебро)	422	0,291	Для ворот с левой калиткой
	407912281	Порошковое	RAL 8019 30			
WDE-40.161L.202	407912472	Анодированное	A00-D6 (серебро)	547	0,385	
	407912473	Порошковое	RAL 8019 30			

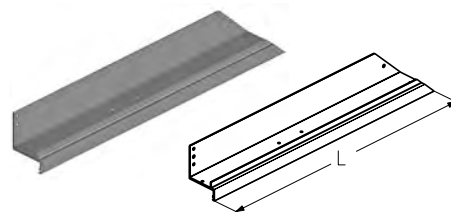
* Указанные в формате RAL **** цвета имеют близкое соответствие шкале RAL.

ОБРАМЛЕНИЕ КАЛИТКИ

Обрамление калитки нижнее

Предназначено для обрамления нижней калиточной панели.
Используется в калитке с плоским порогом.

Материал алюминий
 Единица измерения шт.
 Норма поставки, шт. 20

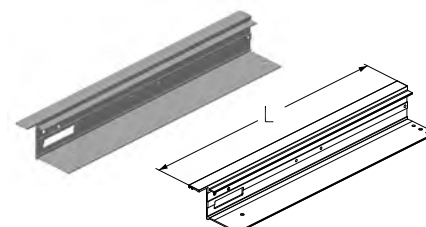


Артикул	Код	Покрытие	Цвет*	Длина (L), мм	Вес, кг/шт.	Применение
WD-40.153R.202	404032791	Анодированное	A00-D6 (серебро)	478,5	0,333	Для ворот с правой калиткой
	404033333	Порошковое	RAL 8019			
WD-40.163R.202	404033391	Анодированное	A00-D6 (серебро)	603,5	0,437	
	404033933	Порошковое	RAL 8019			
WD-40.153L.202	404032691	Анодированное	A00-D6 (серебро)	478,5	0,333	Для ворот с левой калиткой
	404033233	Порошковое	RAL 8019			
WD-40.163L.202	404033291	Анодированное	A00-D6 (серебро)	603,5	0,437	
	404033833	Порошковое	RAL 8019			

Обрамление калитки нижнее

Предназначено для обрамления нижней калиточной панели.
Используется в калитке с плоским порогом совместно с петлями арт. **WH-100**.

Материал алюминий
 Единица измерения шт.
 Норма поставки, шт. 20

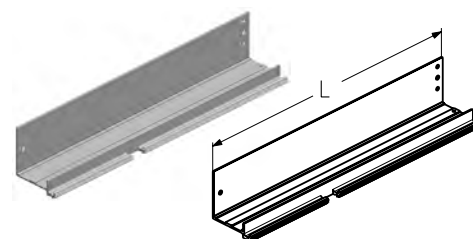


Артикул	Код	Покрытие	Цвет Степень блеска	Длина (L), мм	Вес, кг/шт.	Применение
WDE-40.153R.202	407912304	Анодированное	A00-D6 (серебро)	477	0,335	Для ворот с правой калиткой
	407912305	Порошковое	RAL 8019 30			
WDE-40.163R.202	407912529	Анодированное	A00-D6 (серебро)	602	0,423	
	407912530	Порошковое	RAL 8019 30			
WDE-40.153L.202	407912301	Анодированное	A00-D6 (серебро)	477	0,335	Для ворот с левой калиткой
	407912302	Порошковое	RAL 8019 30			
WDE-40.163L.202	407912526	Анодированное	A00-D6 (серебро)	602	0,423	
	407912527	Порошковое	RAL 8019 30			

Петля калитки нижняя

Предназначена для обрамления нижней калиточной панели.
Используется в калитке со стандартным порогом.

Материал алюминий
 Единица измерения шт.
 Норма поставки, шт. 20



Артикул	Код	Покрытие	Цвет*	Длина (L), мм	Вес, кг/шт.	Применение
WD-40.152R.201	404234091	Анодированное	A00-D6 (серебро)	355	0,290	Для ворот с правой калиткой
	404234033	Порошковое	RAL 8019			
WD-40.162R.201	404234691	Анодированное	A00-D6 (серебро)	480	0,392	
	404234633	Порошковое	RAL 8019			
WD-40.152L.201	404233991	Анодированное	A00-D6 (серебро)	355	0,290	Для ворот с левой калиткой
	404233933	Порошковое	RAL 8019			
WD-40.162L.201	404234591	Анодированное	A00-D6 (серебро)	480	0,392	
	404234533	Порошковое	RAL 8019			

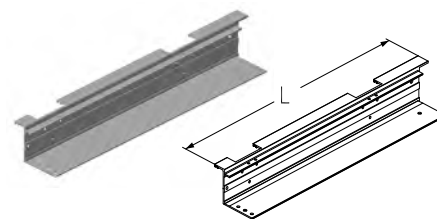
* Указанные в формате RAL **** цвета имеют близкое соответствие шкале RAL.

ОБРАМЛЕНИЕ КАЛИТКИ

Петля калитки нижняя

Предназначена для обрамления нижней калиточной панели.
Используется в калитке со стандартным порогом совместно с петлями арт. **WH-100**.

Материал алюминий
Единица измерения шт.
Норма поставки, шт. 20

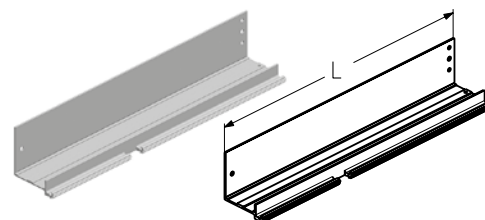


Артикул	Код	Покрытие	Цвет* Степень блеска	Длина (L), мм	Вес, кг/шт.	Применение
WDE-40.152R.201	407911893	Анодированное	A00-D6 (серебро)	377	0,287	Для ворот с правой калиткой
	407911894	Порошковое	RAL 8019 30			
WDE-40.162R.201	407911911	Анодированное	A00-D6 (серебро)	502	0,388	
	407911912	Порошковое	RAL 8019 30			
WDE-40.152L.201	407911890	Анодированное	A00-D6 (серебро)	377	0,287	Для ворот с левой калиткой
	407911891	Порошковое	RAL 8019 30			
WDE-40.162L.201	407911908	Анодированное	A00-D6 (серебро)	502	0,388	
	407911909	Порошковое	RAL 8019 30			

Петля калитки нижняя

Предназначена для обрамления нижней калиточной панели.
Используется в калитке с низким порогом.

Материал алюминий
Единица измерения шт.
Норма поставки, шт. 20

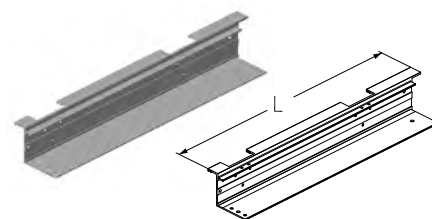


Артикул	Код	Покрытие	Цвет*	Длина (L), мм	Вес, кг/шт.	Применение
WD-40.151R.201	404233891	Анодированное	A00-D6 (серебро)	400	0,325	Для ворот с правой калиткой
	404233833	Порошковое	RAL 8019			
WD-40.161R.201	404234491	Анодированное	A00-D6 (серебро)	525	0,430	
	404234433	Порошковое	RAL 8019			
WD-40.151L.201	404233791	Анодированное	A00-D6 (серебро)	400	0,325	Для ворот с левой калиткой
	404233733	Порошковое	RAL 8019			
WD-40.161L.201	404234391	Анодированное	A00-D6 (серебро)	525	0,430	
	404234333	Порошковое	RAL 8019			

Петля калитки нижняя

Предназначена для обрамления нижней калиточной панели.
Используется в калитке с низким порогом совместно с петлями арт. **WH-100**.

Материал алюминий
Единица измерения шт.
Норма поставки, шт. 20



Артикул	Код	Покрытие	Цвет* Степень блеска	Длина (L), мм	Вес, кг/шт.	Применение
WDE-40.151R.201	407911887	Анодированное	A00-D6 (серебро)	422	0,323	Для ворот с правой калиткой
	407911888	Порошковое	RAL 8019 30			
WDE-40.161R.201	407911905	Анодированное	A00-D6 (серебро)	547	0,424	
	407911906	Порошковое	RAL 8019 30			
WDE-40.151L.201	407911884	Анодированное	A00-D6 (серебро)	422	0,323	Для ворот с левой калиткой
	407911885	Порошковое	RAL 8019 30			
WDE-40.161L.201	407911902	Анодированное	A00-D6 (серебро)	547	0,424	
	407911903	Порошковое	RAL 8019 30			

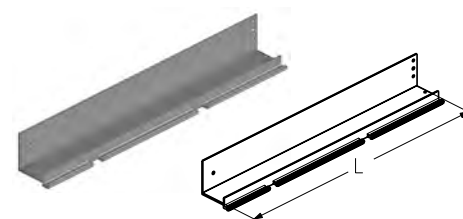
* Указанные в формате RAL **** цвета имеют близкое соответствие шкале RAL.

ОБРАМЛЕНИЕ КАЛИТКИ

Петля калитки нижняя

Предназначена для обрамления нижней калиточной панели.
Используется в калитке с плоским порогом.

Материал алюминий
Единица измерения шт.
Норма поставки, шт. 20

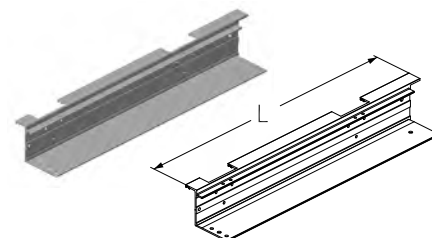


Артикул	Код	Покрытие	Цвет*	Длина (L), мм	Вес, кг/шт.	Применение
WD-40.153R.201	404234291	Анодированное	A00-D6 (серебро)	456,5	0,371	Для ворот с правой калиткой
	404234233	Порошковое	RAL 8019			
WD-40.163R.201	404234891	Анодированное	A00-D6 (серебро)	581,5	0,479	
	404234833	Порошковое	RAL 8019			
WD-40.153L.201	404234191	Анодированное	A00-D6 (серебро)	456,5	0,371	Для ворот с левой калиткой
	404234133	Порошковое	RAL 8019			
WD-40.163L.201	404234791	Анодированное	A00-D6 (серебро)	581,5	0,479	
	404234733	Порошковое	RAL 8019			

Петля калитки нижняя

Предназначена для обрамления нижней калиточной панели.
Используется в калитке с плоским порогом совместно с петлями арт **WH-100**.

Материал алюминий
Единица измерения шт.
Норма поставки, шт. 20

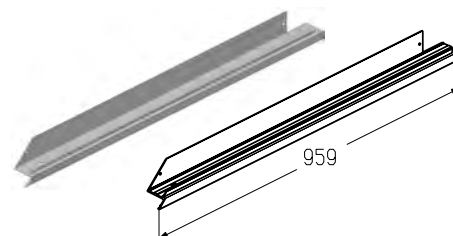


Артикул	Код	Покрытие	Цвет* Степень блеска	Длина (L), мм	Вес, кг/шт.	Применение
WDE-40.153R.201	407911899	Анодированное	A00-D6 (серебро)	477	0,323	Для ворот с правой калиткой
	407911900	Порошковое	RAL 8019 30			
WDE-40.163R.201	407911917	Анодированное	A00-D6 (серебро)	602	0,407	
	407911918	Порошковое	RAL 8019 30			
WDE-40.153L.201	407911899	Анодированное	A00-D6 (серебро)	477	0,323	Для ворот с левой калиткой
	407911900	Порошковое	RAL 8019 30			
WDE-40.163L.201	407911917	Анодированное	A00-D6 (серебро)	602	0,407	
	407911918	Порошковое	RAL 8019 30			

Обрамление низа калитки

Предназначено для обрамления нижней калиточной панели.
Используется в калитке с низким и стандартным порогом.

Длина, мм 959
Вес, кг/м 0,673
Материал алюминий
Единица измерения шт.
Норма поставки, шт. 20



Артикул	Код	Покрытие	Цвет*	Применение
WD-40.151R.203	404033591	Анодированное	A00-D6 (серебро)	Для ворот с правой калиткой
	404034133	Порошковое	RAL 8019	
WD-40.151L.203	404033491	Анодированное	A00-D6 (серебро)	Для ворот с левой калиткой
	404034033	Порошковое	RAL 8019	

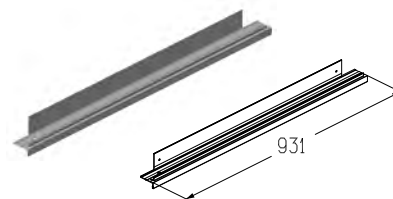
* Указанные в формате RAL **** цвета имеют близкое соответствие шкале RAL.

ОБРАМЛЕНИЕ КАЛИТКИ

Обрамление низа калитки

Предназначено для обрамления нижней калиточной панели.
Используется в калитке с низким и стандартным порогом совместно с петлями арт. **WH-100**.

Длина, мм	931
Вес, кг/м	0,673
Материал	алюминий
Единица измерения	шт.
Норма поставки, шт.	10

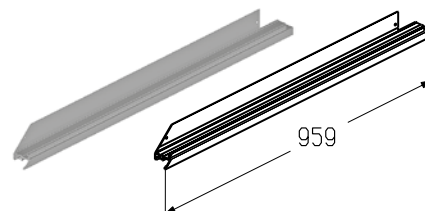


Артикул	Код	Покрытие	Цвет* Степень блеска	Применение
WDE-40.151R.203	407912286	Анодированное	A00-D6 (серебро)	Для ворот с правой и левой калиткой
	407912287	Порошковое	RAL 8019 30	

Обрамление низа калитки

Предназначено для обрамления нижней калиточной панели.
Используется в калитке с плоским порогом.

Длина, мм	959
Вес, кг/м	0,899
Материал	алюминий
Единица измерения	шт.
Норма поставки, шт.	20

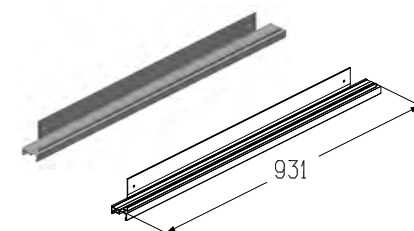


Артикул	Код	Покрытие	Цвет*	Применение
WD-40.153R.203	404033791	Анодированное	A00-D6 (серебро)	Для ворот с правой калиткой
	404034333	Порошковое	RAL 8019	
WD-40.153L.203	404033691	Анодированное	A00-D6 (серебро)	Для ворот с левой калиткой
	404034233	Порошковое	RAL 8019	

Обрамление низа калитки

Предназначено для обрамления нижней калиточной панели.
Используется в калитке с плоским порогом совместно с петлями арт. **WH-100**.

Длина, мм	931
Вес, кг/м	0,866
Материал	алюминий
Единица измерения	шт.
Норма поставки, шт.	10



Артикул	Код	Покрытие	Цвет* Степень блеска	Применение
WDE-40.153R.203	407912307	Анодированное	A00-D6 (серебро)	Для ворот с правой и левой калиткой
	407912308	Порошковое	RAL 8019 30	

* Указанные в формате RAL **** цвета имеют близкое соответствие шкале RAL.

ОБРАМЛЕНИЕ КАЛИТКИ

УСТАНОВКА ПЕТЕЛЬ КАЛИТОЧНЫХ

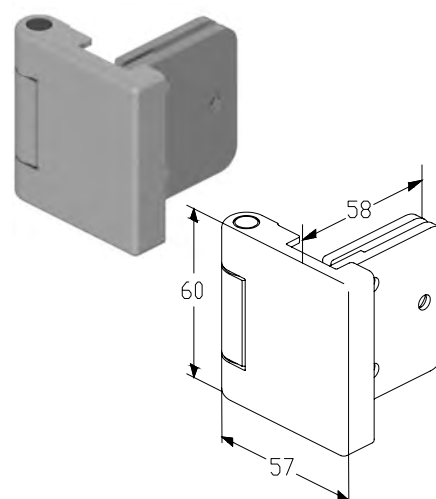


Петля калиточная

Предназначена для соединения секций калитки с проемом в полотне ворот.
Используется в калитке с плоским, низким и стандартным порогом.

Материал цинковый сплав
Вес, кг/шт. 0,33
Единица измерения шт.
Норма поставки, шт. 1

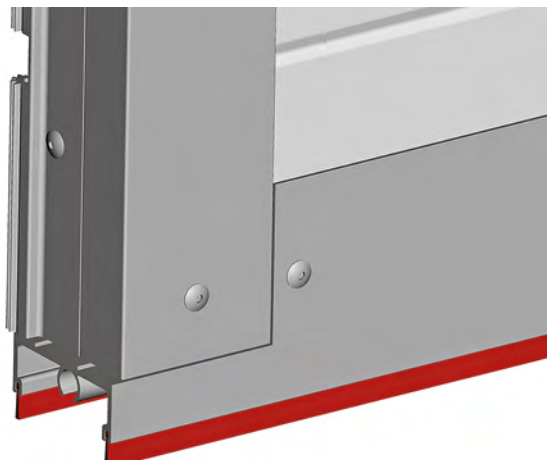
Артикул	Код	Цвет*
WH-100	404912348	Silver
	404912347	RAL7016 30
	404912346	RAL8019 30



* Указанные в формате RAL **** цвета имеют близкое соответствие шкале RAL.

ОБРАМЛЕНИЕ КАЛИТКИ

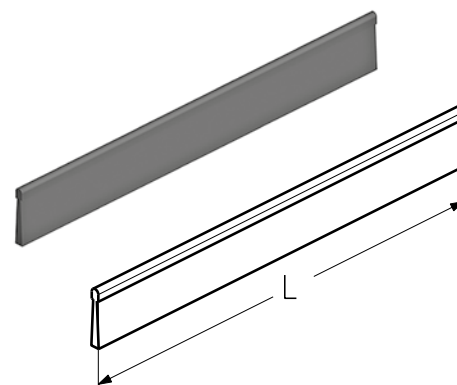
УСТАНОВКА ВСТАВКИ-ЩЕТКИ

**Вставка-щетка**

Предназначена для герметизации нижней части проема калитки.
Используется в калитке с плоским порогом.

Вес, кг/шт. 0,023
Единица измерения М
Норма поставки, м 300

Артикул	Код
BS11	404407000



1.1

1.2

1.3

1.4

1.5

2

3

4

ОБРАМЛЕНИЕ КАЛИТКИ

УСТАНОВКА ЗАГЛУШКИ

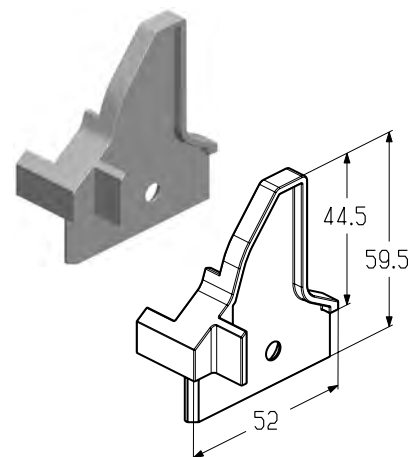


Заглушка

Устанавливается совместно с обрамлением калитки в нижней и промежуточных панелях. Используется в калитке с плоским, низким и стандартным порогом.

Материал PA
 Вес, кг/шт. 0,010
 Единица измерения шт.
 Норма поставки, шт. 600

Артикул	Код	Цвет	Применение
WD-40.22R-GR	401715100	Серый	Для ворот с правой калиткой
WD-40.22R-BR	401715200	Коричневый	
WD-40.22L-GR	401715300	Серый	Для ворот с левой калиткой
WD-40.22L-BR	401715400	Коричневый	

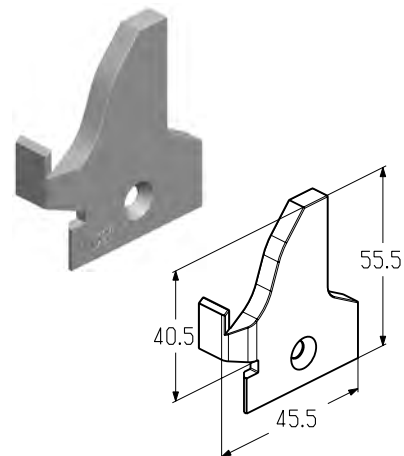


Заглушка

Устанавливается совместно с петлей калитки в нижней и промежуточных панелях. Используется в калитке с плоским, низким и стандартным порогом.

Материал PA
 Вес, кг/шт. 0,007
 Единица измерения шт.
 Норма поставки, шт. 1000

Артикул	Код	Цвет	Применение
WD-40.21R-GR	401714700	Серый	Для ворот с правой калиткой
WD-40.21R-BR	401714800	Коричневый	
WD-40.21L-GR	401714900	Серый	Для ворот с левой калиткой
WD-40.21L-BR	401715000	Коричневый	



ОБРАМЛЕНИЕ КАЛИТКИ

УСТАНОВКА ЛОВИТЕЛЯ

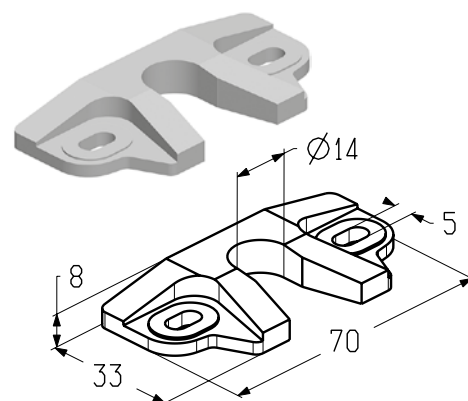


Ловитель

Устанавливается на обрамление калитки в первой и третьей (или четвертой) панелях. Используется в калитке с плоским, низким и стандартным порогом.

Материал PA
 Вес, кг/шт. 0,006
 Единица измерения шт.
 Норма поставки, шт. 80

Артикул	Код
WD2011	401730100

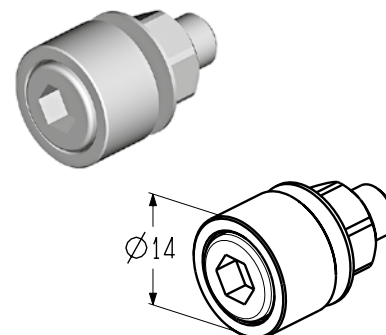


Комплект опоры ловителя

Применяется совместно с ловителем (**WD2011**). Устанавливается на обрамление проема в первой и третьей (или четвертой) панелях. Используется в калитке с плоским, низким и стандартным порогом.

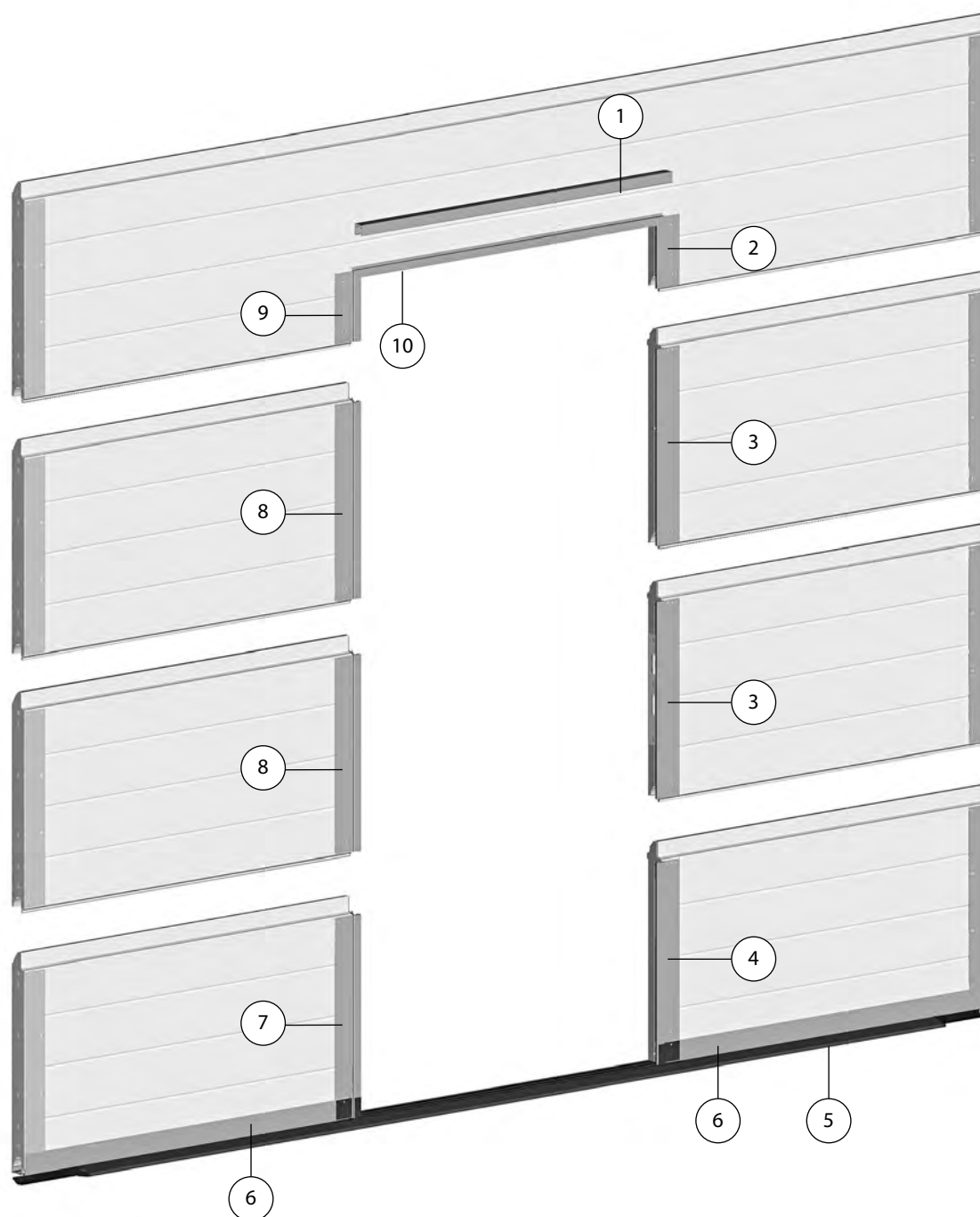
Материал нержавеющая сталь
 Вес, кг/шт. 0,010
 Единица измерения шт.
 Норма поставки, шт. 1000

Артикул	Код
WD2031	401730200



УСТАНОВКА ПРОФИЛЕЙ ОБРАМЛЕНИЯ ПРОЕМА

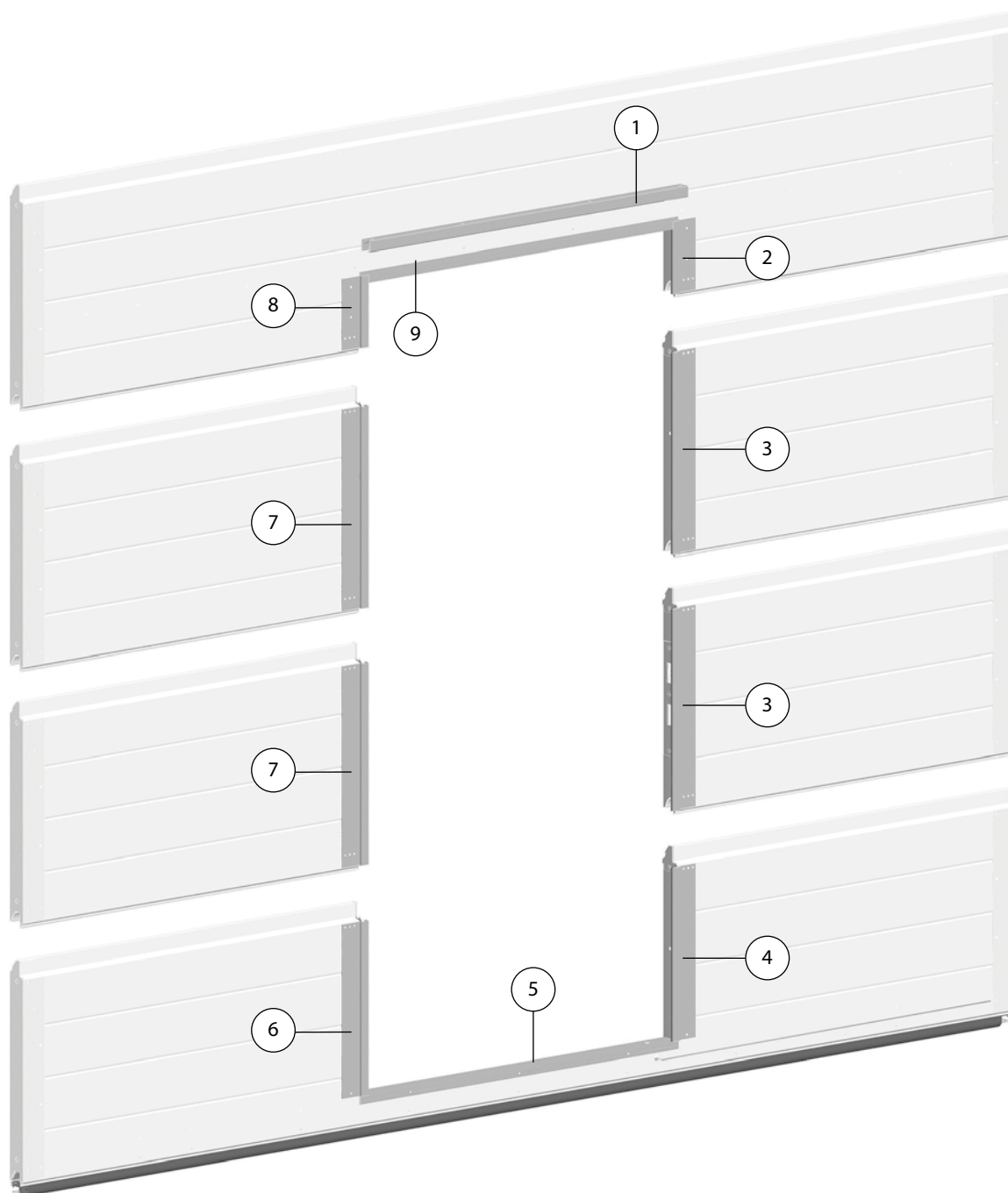
КАЛИТКА С ПЛОСКИМ ПОРОГОМ 20 ММ



№	Наименование	№	Наименование
1	Шина доводчика	6	Профиль воротный (PRD113)
2	Обрамление проема верхнее	7	Петля проема нижняя
3	Обрамление проема среднее	8	Петля проема средняя
4	Обрамление проема нижнее	9	Петля проема верхняя
5	Профиль воротный (PRD112)	10	Обрамление верха проема

УСТАНОВКА ПРОФИЛЕЙ ОБРАМЛЕНИЯ ПРОЕМА

КАЛИТКА С НИЗКИМ (ВЫСОТОЙ 100 ММ) И СТАНДАРТНЫМ (ВЫСОТОЙ 145 ММ) ПОРОГОМ



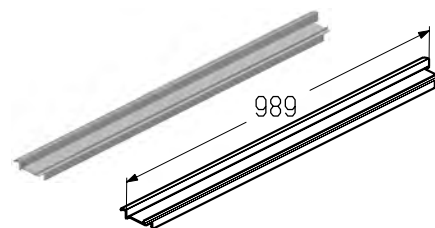
№	Наименование	№	Наименование
1	Шина доводчика	6	Петля проема нижняя
2	Обрамление проема верхнее	7	Петля проема средняя
3	Обрамление проема среднее	8	Петля проема верхняя
4	Обрамление проема нижнее	9	Обрамление верха проема
5	Обрамление низа проема		
6	Петля проема нижняя		
7	Петля проема средняя		
8	Петля проема верхняя		
9	Обрамление верха проема		

ОБРАМЛЕНИЕ ПРОЕМА

Обрамление верха проема

Предназначено для обрамления проема верхней панели.
Используется в калитке с плоским, низким и стандартным порогом.

Длина, мм	989
Материал	алюминий
Вес, кг/шт.	0,627
Единица измерения	шт.
Норма поставки, шт.	10

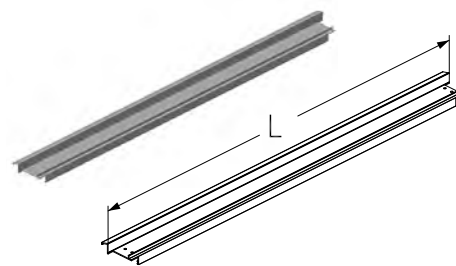


Артикул	Код	Покрытие	Цвет*	Применение
WD-40.403R.103	404111191	Анодированное	A00-D6 (серебро)	Для ворот с правой калиткой
	404111633	Порошковое	RAL 8019	
WD-40.403L.103	404111091	Анодированное	A00-D6 (серебро)	Для ворот с левой калиткой
	404111533	Порошковое	RAL 8019	

Обрамление верха проема

Предназначено для обрамления проема верхней панели.
Используется в калитке с плоским, стандартным и низким порогом совместно с петлями арт. **WH-100**.

Длина, мм	993
Материал	алюминий
Вес, кг/шт.	0,616
Единица измерения	шт.
Норма поставки, шт.	10

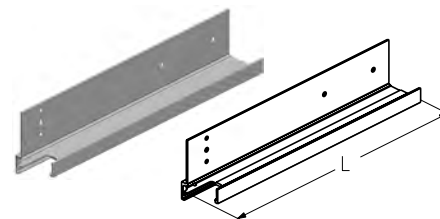


Артикул	Код	Покрытие	Цвет* Степень блеска	Применение
WDE-40.403R.103	407912601	Анодированное	A00-D6 (серебро)	Для ворот с правой калиткой
	407912603	Порошковое	RAL 8019 30	
WDE-40.403L.103	407912604	Анодированное	A00-D6 (серебро)	Для ворот с левой калиткой
	407912606	Порошковое	RAL 8019 30	

Обрамление проема верхнее

Предназначено для обрамления проема верхней панели.
Используется в калитке с плоским, низким и стандартным порогом.

Материал	алюминий
Единица измерения	шт.
Норма поставки, шт.	10



Артикул	Код	Покрытие	Цвет*	Длина (L), мм	Вес, кг/шт.	Применение
WD-40.403R.302	404111391	Анодированное	A00-D6 (серебро)	182	0,123	Для ворот с правой калиткой
	404111833	Порошковое	RAL 8019			
WD-40.404R.302	404111591	Анодированное	A00-D6 (серебро)	308	0,214	
	404112033	Порошковое	RAL 8019			
WD-40.403L.302	404111291	Анодированное	A00-D6 (серебро)	182	0,123	
	404111733	Порошковое	RAL 8019			
WD-40.404L.302	404111491	Анодированное	A00-D6 (серебро)	308	0,214	Для ворот с левой калиткой
	404111933	Порошковое	RAL 8019			

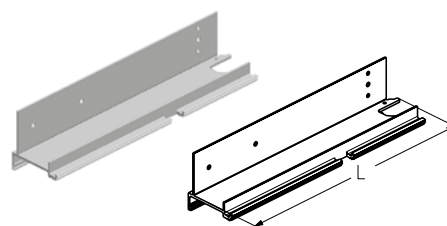
* Указанные в формате RAL **** цвета имеют близкое соответствие шкале RAL.

ОБРАМЛЕНИЕ ПРОЕМА

Петля проема верхняя

Предназначена для обрамления проема верхней панели.
Используется в калитке с плоским, низким и стандартным порогом.

Материал алюминий
Единица измерения шт.
Норма поставки, шт. 10

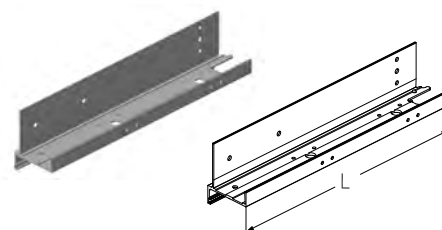


Артикул	Код	Покрытие	Цвет*	Длина (L), мм	Вес, кг/шт.	Применение
WD-40.403R.101	404210991	Анодированное	A00-D6 (серебро)	182	0,161	Для ворот с правой калиткой
	404212133	Порошковое	RAL 8019			
WD-40.404R.101	404211191	Анодированное	A00-D6 (серебро)	308	0,279	
	404212333	Порошковое	RAL 8019			
WD-40.403L.101	404210891	Анодированное	A00-D6 (серебро)	182	0,161	Для ворот с левой калиткой
	404212033	Порошковое	RAL 8019			
WD-40.404L.101	404211091	Анодированное	A00-D6 (серебро)	308	0,279	
	404212233	Порошковое	RAL 8019			

Петля проема верхняя

Предназначена для обрамления проема верхней панели.
Используется в калитке с плоским, низким и стандартным порогом совместно с петлями арт. **WH-100**.

Материал алюминий
Единица измерения шт.
Норма поставки, шт. 10

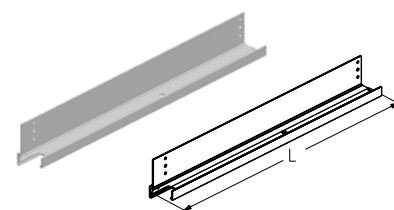


Артикул	Код	Покрытие	Цвет Степень блеска	Длина (L), мм	Вес, кг/шт.	Применение
WDE-40.403R.101	407912064	Анодированное	A00-D6 (серебро)	169	0,119	Для ворот с правой калиткой
	407912065	Порошковое	RAL 8019 30			
WDE-40.404R.101	407912070	Анодированное	A00-D6 (серебро)	295	0,207	
	407912071	Порошковое	RAL 8019 30			
WDE-40.403L.101	407912061	Анодированное	A00-D6 (серебро)	169	0,119	Для ворот с левой калиткой
	407912062	Порошковое	RAL 8019 30			
WDE-40.404L.101	407912067	Анодированное	A00-D6 (серебро)	295	0,207	
	407912068	Порошковое	RAL 8019 30			

Обрамление проема среднее

Предназначено для обрамления проема третьей или четвертой панели.
Используется в калитке с плоским, низким и стандартным порогом.

Материал алюминий
Единица измерения шт.
Норма поставки, шт. 10



Артикул	Код	Покрытие	Цвет*	Длина (L), мм	Вес, кг/шт.	Применение
WD-40.350R.302	404123791	Анодированное	A00-D6 (серебро)	479	0,350	Для ворот с правой калиткой
	404124333	Порошковое	RAL 8019			
WD-40.360R.302	404123991	Анодированное	A00-D6 (серебро)	604	0,443	
	404124533	Порошковое	RAL 8019			
WD-40.350L.302	404123691	Анодированное	A00-D6 (серебро)	479	0,350	Для ворот с левой калиткой
	404124233	Порошковое	RAL 8019			
WD-40.360L.302	404123891	Анодированное	A00-D6 (серебро)	604	0,443	
	404124433	Порошковое	RAL 8019			

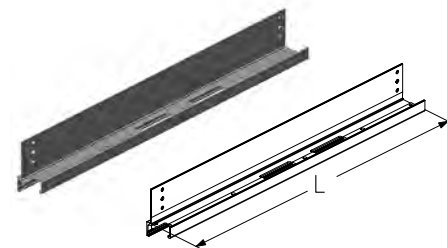
* Указанные в формате RAL **** цвета имеют близкое соответствие шкале RAL.

ОБРАМЛЕНИЕ ПРОЕМА

Обрамление проема среднее

Предназначено для обрамления проема второй или третьей панели.
Используется в калитке с плоским, низким и стандартным порогом.

Материал алюминий
Единица измерения шт.
Норма поставки, шт. 10

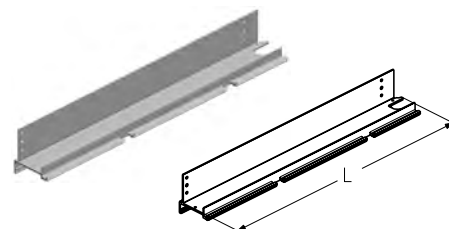


Артикул	Код	Покрытие	Цвет Степень блеска	Длина (L), мм	Вес, кг/шт.	Применение
WD-40.250R.302KFV	407910237	Анодированное	A00-D6 (серебро)	479	0,337	Для ворот с правой калиткой
	407910236	Порошковое	RAL 8019 30			
WD-40.260R.302KFV	407910243	Анодированное	A00-D6 (серебро)	604	0,430	
	407910242	Порошковое	RAL 8019 30			
WD-40.250L.302KFV	407910291	Анодированное	A00-D6 (серебро)	479	0,337	Для ворот с левой калиткой
	407910290	Порошковое	RAL 8019 30			
WD-40.260L.302KFV	407910297	Анодированное	A00-D6 (серебро)	604	0,430	
	407910296	Порошковое	RAL 8019 30			

Петля проема средняя

Предназначена для обрамления проема четвертой, третьей и второй панелей.
Используется в калитке с плоским, низким и стандартным порогом.

Материал алюминий
Единица измерения шт.
Норма поставки, шт. 10

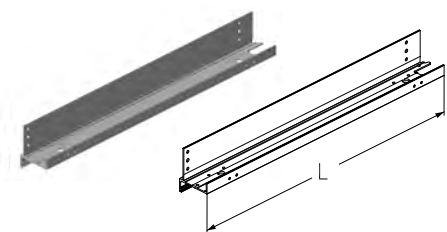


Артикул	Код	Покрытие	Цвет*	Длина (L), мм	Вес, кг/шт.	Применение
WD-40.250R.101	404220791	Анодированное	A00-D6 (серебро)	479	0,456	Для ворот с правой калиткой
	404221733	Порошковое	RAL 8019			
WD-40.260R.101	404220991	Анодированное	A00-D6 (серебро)	604	0,476	
	404221933	Порошковое	RAL 8019			
WD-40.250L.101	404220691	Анодированное	A00-D6 (серебро)	479	0,456	Для ворот с левой калиткой
	404221633	Порошковое	RAL 8019			
WD-40.260L.101	404220891	Анодированное	A00-D6 (серебро)	604	0,476	
	404221833	Порошковое	RAL 8019			

Петля проема средняя

Предназначена для обрамления проема четвертой, третьей и второй панелей.
Используется в калитке с плоским, стандартным и низким порогом совместно с петлями арт. **WH-100**.

Материал алюминий
Единица измерения шт.
Норма поставки, шт. 10



Артикул	Код	Покрытие	Цвет Степень блеска	Длина (L), мм	Вес, кг/шт.	Применение
WDE-40.250R.101	407912238	Анодированное	A00-D6 (серебро)	480	0,342	Для ворот с правой калиткой
	407912239	Порошковое	RAL 8019 30			
WDE-40.260R.101	407912244	Анодированное	A00-D6 (серебро)	605	0,431	
	407912245	Порошковое	RAL 8019 30			
WDE-40.250L.101	407912235	Анодированное	A00-D6 (серебро)	480	0,342	Для ворот с левой калиткой
	407912236	Порошковое	RAL 8019 30			
WDE-40.260L.101	407912241	Анодированное	A00-D6 (серебро)	605	0,431	
	407912242	Порошковое	RAL 8019 30			

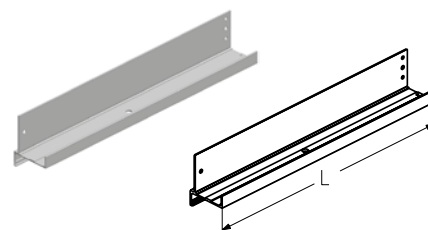
* Указанные в формате RAL **** цвета имеют близкое соответствие шкале RAL.

ОБРАМЛЕНИЕ ПРОЕМА

Обрамление проема нижнее

Предназначено для обрамления проема нижней панели.
Используется в калитке со стандартным порогом.

Материал алюминий
Единица измерения шт.
Норма поставки, шт. 20

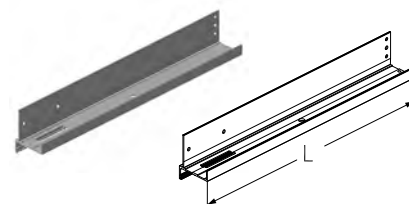


Артикул	Код	Покрытие	Цвет*	Длина (L), мм	Вес, кг/шт.	Применение
WD-40.152R.302	404132491	Анодированное	A00-D6 (серебро)	366	0,350	Для ворот с правой калиткой
	404133233	Порошковое	RAL 8019			
WD-40.162R.302	404133091	Анодированное	A00-D6 (серебро)	491	0,409	
	404133833	Порошковое	RAL 8019			
WD-40.152L.302	404132391	Анодированное	A00-D6 (серебро)	366	0,350	Для ворот с левой калиткой
	404133133	Порошковое	RAL 8019			
WD-40.162L.302	404132991	Анодированное	A00-D6 (серебро)	491	0,409	
	404133733	Порошковое	RAL 8019			

Обрамление проема нижнее

Предназначено для обрамления проема нижней панели.
Используется в калитке со стандартным порогом совместно с петлями арт. WH-100.

Материал алюминий
Единица измерения шт.
Норма поставки, шт. 10

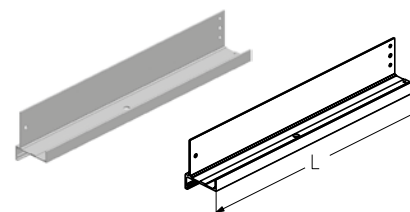


Артикул	Код	Покрытие	Цвет* Степень блеска	Длина (L), мм	Вес, кг/шт.	Применение
WDE-40.152R.302	407912298	Анодированное	A00-D6 (серебро)	368	0,267	Для ворот с правой калиткой
	407912299	Порошковое	RAL 8019 30			
WDE-40.162R.302	407912517	Анодированное	A00-D6 (серебро)	493	0,358	
	407912518	Порошковое	RAL 8019 30			
WDE-40.152L.302	407912295	Анодированное	A00-D6 (серебро)	368	0,267	Для ворот с левой калиткой
	407912296	Порошковое	RAL 8019 30			
WDE-40.162L.302	407912514	Анодированное	A00-D6 (серебро)	493	0,358	
	407912515	Порошковое	RAL 8019 30			

Обрамление проема нижнее

Предназначено для обрамления проема нижней панели.
Используется в калитке с низким порогом.

Материал алюминий
Единица измерения шт.
Норма поставки, шт. 20



Артикул	Код	Покрытие	Цвет*	Длина (L), мм	Вес, кг/шт.	Применение
WD-40.151R.302	404132291	Анодированное	A00-D6 (серебро)	411	0,343	Для ворот с правой калиткой
	404133033	Порошковое	RAL 8019			
WD-40.161R.302	404132891	Анодированное	A00-D6 (серебро)	536	0,446	
	404133633	Порошковое	RAL 8019			
WD-40.151L.302	404132191	Анодированное	A00-D6 (серебро)	411	0,343	Для ворот с левой калиткой
	404132933	Порошковое	RAL 8019			
WD-40.161L.302	404132791	Анодированное	A00-D6 (серебро)	536	0,446	
	404133533	Порошковое	RAL 8019			

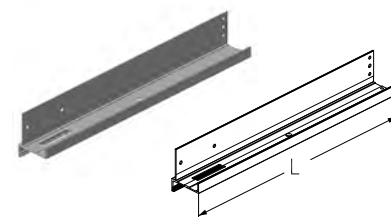
* Указанные в формате RAL **** цвета имеют близкое соответствие шкале RAL.

ОБРАМЛЕНИЕ ПРОЕМА

Обрамление проема ниже

Предназначено для обрамления проема нижней панели.
Используется в калитке с низким порогом совместно с петлями арт. **WH-100**.

Материал алюминий
 Единица измерения шт.
 Норма поставки, шт. 10

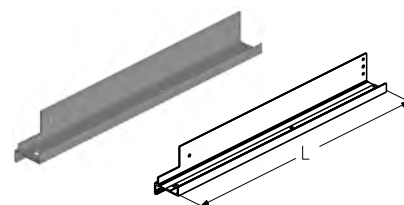


Артикул	Код	Покрытие	Цвет* Степень блеска	Длина (L), мм	Вес, кг/шт.	Применение
WDE-40.151R.302	407912499	Анодированное	A00-D6 (серебро)	413	0,300	Для ворот с правой калиткой
	407912500	Порошковое	RAL 8019 30			
WDE-40.161R.302	407912505	Анодированное	A00-D6 (серебро)	538	0,390	
	407912506	Порошковое	RAL 8019 30			
WDE-40.151L.302	407912496	Анодированное	A00-D6 (серебро)	413	0,300	Для ворот с левой калиткой
	407912497	Порошковое	RAL 8019 30			
WDE-40.161L.302	407912502	Анодированное	A00-D6 (серебро)	538	0,390	
	407912503	Порошковое	RAL 8019 30			

Обрамление проема ниже

Предназначено для обрамления проема нижней панели.
Используется в калитке с плоским порогом.

Материал алюминий
 Единица измерения шт.
 Норма поставки, шт. 20

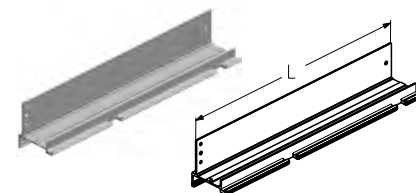


Артикул	Код	Покрытие	Цвет*	Длина (L), мм	Вес, кг/шт.	Применение
WD-40.153R.302	404132691	Анодированное	A00-D6 (серебро)	483	0,350	Для ворот с правой калиткой
	404133433	Порошковое	RAL 8019			
WD-40.163R.302	404133291	Анодированное	A00-D6 (серебро)	608	0,453	
	404134033	Порошковое	RAL 8019			
WD-40.153L.302	404132591	Анодированное	A00-D6 (серебро)	483	0,350	Для ворот с левой калиткой
	404133333	Порошковое	RAL 8019			
WD-40.163L.302	404133191	Анодированное	A00-D6 (серебро)	608	0,453	
	404133933	Порошковое	RAL 8019			

Петля проема нижняя

Предназначено для обрамления проема нижней панели.
Используется в калитке со стандартным порогом.

Материал алюминий
 Единица измерения шт.
 Норма поставки, шт. 20



Артикул	Код	Покрытие	Цвет*	Длина (L), мм	Вес, кг/шт.	Применение
WD-40.152R.101	404235291	Анодированное	A00-D6 (серебро)	366	0,355	Для ворот с правой калиткой
	404235233	Порошковое	RAL 8019			
WD-40.162R.101	404235891	Анодированное	A00-D6 (серебро)	491	0,477	
	404235833	Порошковое	RAL 8019			
WD-40.152L.101	404235191	Анодированное	A00-D6 (серебро)	366	0,355	Для ворот с левой калиткой
	404235133	Порошковое	RAL 8019			
WD-40.162L.101	404235791	Анодированное	A00-D6 (серебро)	491	0,477	
	404235733	Порошковое	RAL 8019			

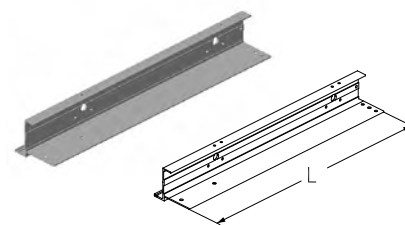
* Указанные в формате RAL **** цвета имеют близкое соответствие шкале RAL.

ОБРАМЛЕНИЕ ПРОЕМА

Петля проема нижняя

Предназначена для обрамления проема нижней панели.
Используется в калитке со стандартным порогом совместно с петлями арт. **WH-100**.

Материал алюминий
Единица измерения шт.
Норма поставки, шт. 10

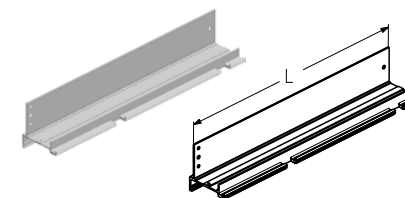


Артикул	Код	Покрытие	Цвет* Степень блеска	Длина (L), мм	Вес, кг/шт.	Применение
WDE-40.152R.101	407912130	Анодированное	A00-D6 (серебро)	368	0,266	Для ворот с правой калиткой
	407912131	Порошковое	RAL 8019 30			
WDE-40.162R.101	407912148	Анодированное	A00-D6 (серебро)	493	0,356	
	407912149	Порошковое	RAL 8019 30			
WDE-40.152L.101	407912127	Анодированное	A00-D6 (серебро)	368	0,266	Для ворот с левой калиткой
	407912128	Порошковое	RAL 8019 30			
WDE-40.162L.101	407912145	Анодированное	A00-D6 (серебро)	493	0,356	
	407912146	Порошковое	RAL 8019 30			

Петля проема нижняя

Предназначена для обрамления проема нижней панели.
Используется в калитке с низким порогом.

Материал алюминий
Единица измерения шт.
Норма поставки, шт. 10

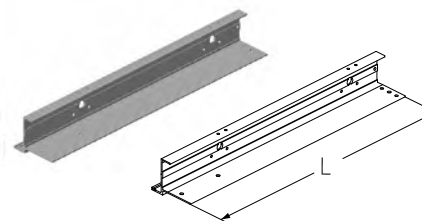


Артикул	Код	Покрытие	Цвет*	Длина (L), мм	Вес, кг/шт.	Применение
WD-40.151R.101	404235091	Анодированное	A00-D6 (серебро)	411	0,399	Для ворот с правой калиткой
	404235033	Порошковое	RAL 8019			
WD-40.161R.101	404235691	Анодированное	A00-D6 (серебро)	536	0,521	
	404235633	Порошковое	RAL 8019			
WD-40.151L.101	404234991	Анодированное	A00-D6 (серебро)	411	0,399	Для ворот с левой калиткой
	404234933	Порошковое	RAL 8019			
WD-40.161L.101	404235591	Анодированное	A00-D6 (серебро)	536	0,521	
	404235533	Порошковое	RAL 8019			

Петля проема нижняя

Предназначена для обрамления проема нижней панели.
Используется в калитке с низким порогом совместно с петлями арт. **WH-100**.

Материал алюминий
Единица измерения шт.
Норма поставки, шт. 10



Артикул	Код	Покрытие	Цвет* Степень блеска	Длина (L), мм	Вес, кг/шт.	Применение
WDE-40.151R.101	407912124	Анодированное	A00-D6 (серебро)	413	0,299	Для ворот с правой калиткой
	407912125	Порошковое	RAL 8019 30			
WDE-40.161R.101	407912142	Анодированное	A00-D6 (серебро)	538	0,389	
	407912143	Порошковое	RAL 8019 30			
WDE-40.151L.101	407912121	Анодированное	A00-D6 (серебро)	413	0,299	Для ворот с левой калиткой
	407912122	Порошковое	RAL 8019 30			
WDE-40.161L.101	407912139	Анодированное	A00-D6 (серебро)	538	0,389	
	407912140	Порошковое	RAL 8019 30			

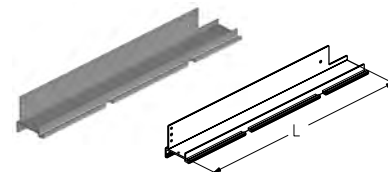
* Указанные в формате RAL **** цвета имеют близкое соответствие шкале RAL.

ОБРАМЛЕНИЕ ПРОЕМА

Петля проема нижняя

Предназначена для обрамления проема нижней панели.
Используется в калитке с плоским порогом.

Материал алюминий
 Единица измерения шт.
 Норма поставки, шт. 20

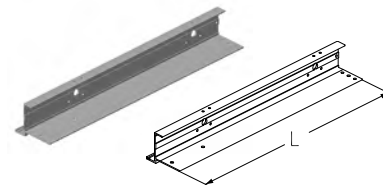


Артикул	Код	Покрытие	Цвет*	Длина (L), мм	Вес, кг/шт.	Применение
WD-40.153R.101	404235491	Анодированное	A00-D6 (серебро)	483	0,458	Для ворот с правой калиткой
	404235433	Порошковое	RAL 8019			
WD-40.163R.101	404236091	Анодированное	A00-D6 (серебро)	608	0,591	
	404236033	Порошковое	RAL 8019			
WD-40.153L.101	404235391	Анодированное	A00-D6 (серебро)	483	0,458	Для ворот с левой калиткой
	404235333	Порошковое	RAL 8019			
WD-40.163L.101	404235991	Анодированное	A00-D6 (серебро)	608	0,591	
	404235933	Порошковое	RAL 8019			

Петля проема нижняя

Предназначена для обрамления проема нижней панели.
Используется в калитке с плоским порогом совместно с петлями арт. **WH-100**.

Материал алюминий
 Единица измерения шт.
 Норма поставки, шт. 10

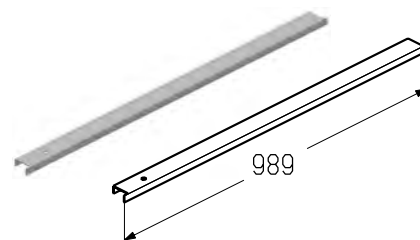


Артикул	Код	Покрытие	Цвет* Степень блеска	Длина (L), мм	Вес, кг/шт.	Применение
WDE-40.153R.101	407912136	Анодированное	A00-D6 (серебро)	483	0,342	Для ворот с правой калиткой
	407912137	Порошковое	RAL 8019 30			
WDE-40.163R.101	407912154	Анодированное	A00-D6 (серебро)	608	0,431	
	407912155	Порошковое	RAL 8019 30			
WDE-40.153L.101	407912133	Анодированное	A00-D6 (серебро)	483	0,342	Для ворот с левой калиткой
	407912134	Порошковое	RAL 8019 30			
WDE-40.163L.101	407912151	Анодированное	A00-D6 (серебро)	608	0,431	
	407912152	Порошковое	RAL 8019 30			

Порог

Предназначен для установки совместно с профилями усиливающими (**PRG-12, PRG-13**).
Используется в калитке с низким и стандартным порогом.

Длина, мм 989
 Материал алюминий
 Вес, кг/шт. 0,416
 Единица измерения шт.
 Норма поставки, шт. 10



Артикул	Код	Покрытие	Цвет*	Применение
WD-40.151R.103	404133491	Анодированное	A00-D6 (серебро)	Для ворот с правой калиткой
	404134233	Порошковое	RAL 8019	
WD-40.151L.103	404133391	Анодированное	A00-D6 (серебро)	Для ворот с левой калиткой
	404134133	Порошковое	RAL 8019	

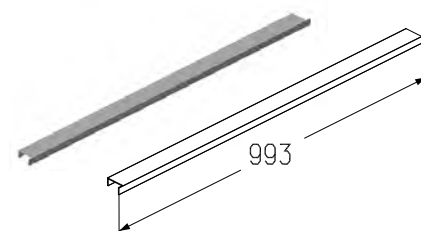
* Указанные в формате RAL **** цвета имеют близкое соответствие шкале RAL.

ОБРАМЛЕНИЕ ПРОЕМА

Порог

Предназначен для установки совместно с профилями усиливающими (PRG-12, PRG-13).
Используется в калитке со стандартным и низким порогом совместно с петлями арт. WH-100.

Длина, мм	993
Материал	алюминий
Вес, кг/шт.	0,409
Единица измерения	шт.
Норма поставки, шт.	10

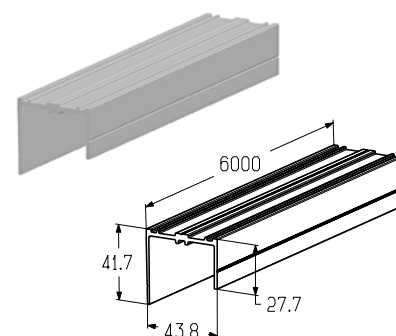


Артикул	Код	Покрытие	Цвет* Степень блеска	Применение
WDE-40.151R.103	407912373	Анодированное	A00-D6 (серебро)	Для ворот с правой и левой калиткой
	407912374	Порошковое	RAL 8019 30	

Профиль воротный

Предназначен для обрамления нижней панели.
Используется в калитке с плоским порогом.

Длина, мм	6000
Вес, кг/шт.	0,624
Материал	алюминий
Единица измерения	м
Норма поставки, м	24

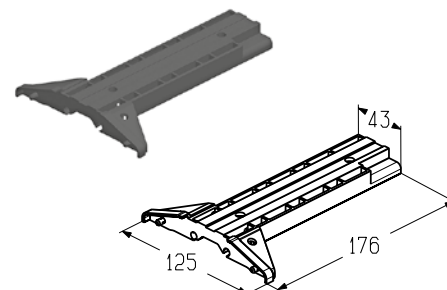


Артикул	Код	Покрытие	Цвет*
PRD113	404370791	Анодированное	A00-D6 (серебро)
	404370733	Порошковое	RAL 8019

Вставка концевая

Устанавливается совместно с нижним профилем (PRD112).
Используется в калитке с плоским порогом.

Материал	PA
Цвет	черный
Вес, кг/шт.	0,065
Единица измерения	шт.
Норма поставки, шт.	60



Артикул	Код	Применение
WD-40.2033R	401715900	Правая
WD-40.2033L	401716000	Левая

* Указанные в формате RAL **** цвета имеют близкое соответствие шкале RAL.

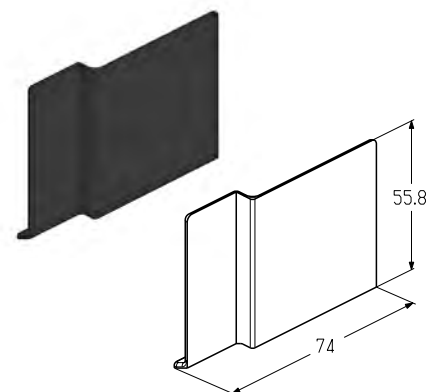
ОБРАМЛЕНИЕ ПРОЕМА

Заглушка калиточная

Устанавливается совместно с нижним профилем (**PRD112** и **PRD113**).
Используется в калитке с плоским порогом.

Материал ABS
Вес, кг/шт. 0,009
Единица измерения шт.
Норма поставки, шт. 500

Артикул	Код	Применение
WD2034R-BK	401713700	Правая
WD2034L-BK	401713600	Левая



Профиль воротный

Предназначен для установки в нижнюю панель. Выполняет функцию порога калитки.
Используется в калитке с плоским порогом.

Материал алюминий
Длина (L), мм 6000
Вес, кг/м 2,231
Единица измерения м
Норма поставки, м 12

Артикул	Код	Покрытие	Цвет*
PRD112	404370130	Порошковое	RAL 9005



Вставка уплотнительная

Предназначена для герметизации нижней части проема.
Устанавливается в профиль воротный (**PRD112**).
Используется в калитке с плоским порогом.

Материал EPDM
Вес, кг/м 0,101
Единица измерения м
Норма поставки, м 125

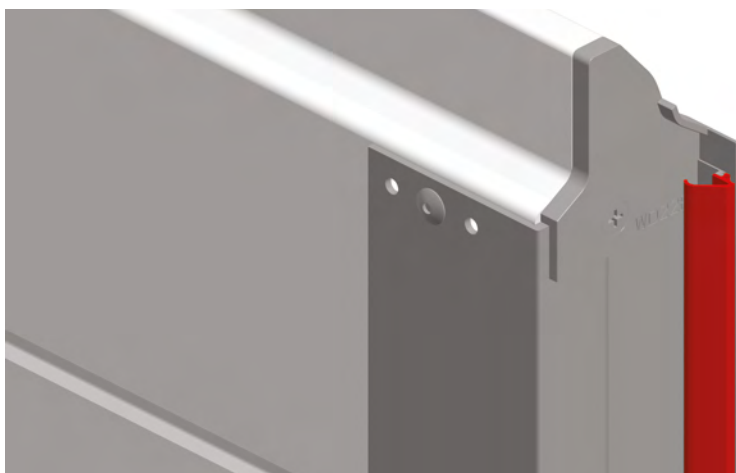
Артикул	Код
RSB11	401510900



* Указанные в формате RAL **** цвета имеют близкое соответствие шкале RAL.

ОБРАМЛЕНИЕ ПРОЕМА

УСТАНОВКА ВСТАВКИ УПЛОТНИТЕЛЬНОЙ

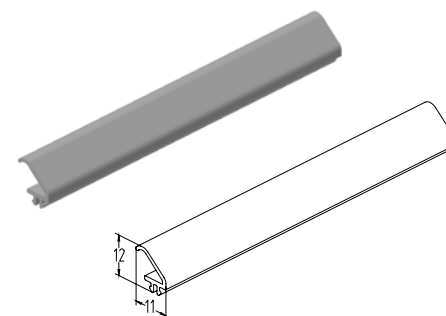


Вставка уплотнительная калиточная

Предназначена для герметизации проема калитки. Устанавливается в обрамление проема и обрамление калитки.

Используется в калитке с плоским, низким и стандартным порогом.

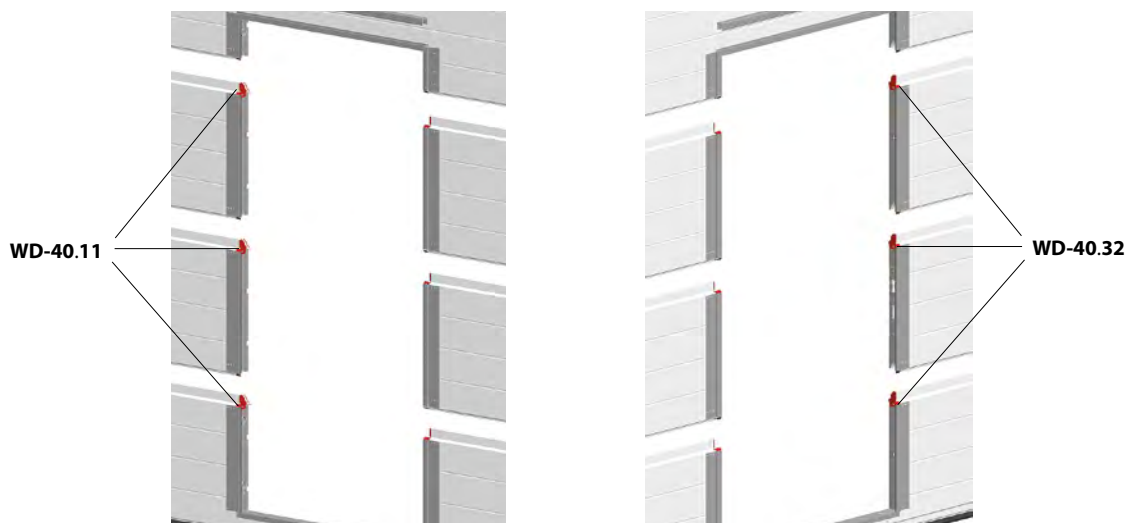
Материал	ПВХ
Вес, кг/м	0,036
Единица измерения	м
Норма поставки, м	475



Артикул	Код
RSW15	401560100

ОБРАМЛЕНИЕ ПРОЕМА

УСТАНОВКА ЗАГЛУШКИ

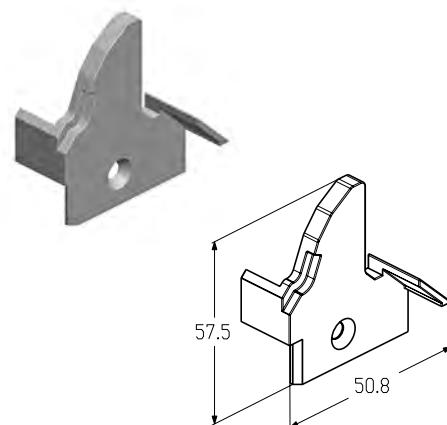


Заглушка

Устанавливается совместно с обрамлением проема в нижней и промежуточных панелях.
Используется в калитке с плоским, низким и стандартным порогом.

Материал PA
Вес, кг/шт. 0,008
Единица измерения шт.
Норма поставки, шт. 600

Артикул	Код	Цвет	Применение
WD-40.32R-GR	401715500	Серый	Для ворот с правой калиткой
WD-40.32R-BR	401715600	Коричневый	
WD-40.32L-GR	401715700	Серый	Для ворот с левой калиткой
WD-40.32L-BR	401715800	Коричневый	

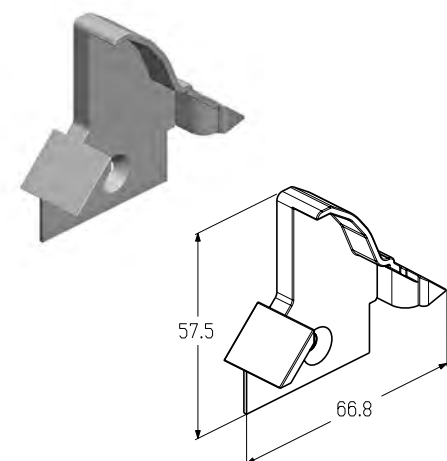


Заглушка

Устанавливается совместно с петлей проема в нижней и промежуточных панелях.
Используется в калитке с плоским, низким и стандартным порогом.

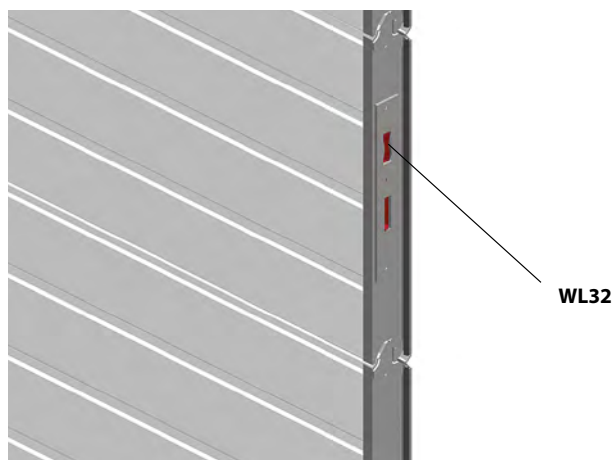
Материал PA
Вес, кг/шт. 0,012
Единица измерения шт.
Норма поставки, шт. 400

Артикул	Код	Цвет	Применение
WD-40.11R-GR	401714300	Серый	Для ворот с правой калиткой
WD-40.11R-BR	401714400	Коричневый	
WD-40.11L-GR	401714500	Серый	Для ворот с левой калиткой
WD-40.11L-BR	401714600	Коричневый	



ОБРАМЛЕНИЕ ПРОЕМА

УСТАНОВКА ЗАГЛУШКИ

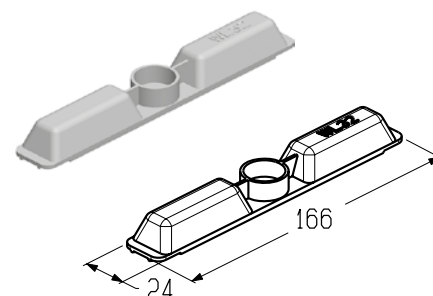


Заглушка

Предназначена для установки совместно с обрамлением проема третьей или второй панели. Используется в калитке с плоским, низким и стандартным порогом.

Материал	РА
Цвет	черный
Вес, кг/шт.	0,017
Единица измерения	шт.
Норма поставки, шт.	300

Артикул	Код
WL32	404410800

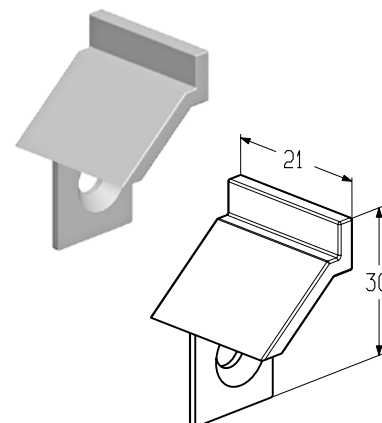


Заглушка нижняя

Устанавливается совместно с обрамлением и петель проема в верхней и промежуточных панелях. Используется в калитке с плоским, низким и стандартным порогом.

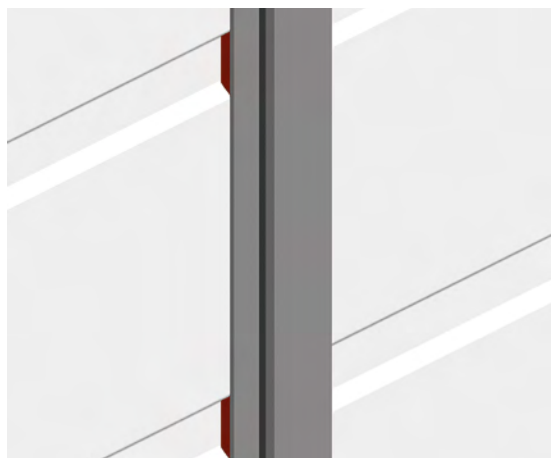
Материал	РА
Вес, кг/шт.	0,002
Единица измерения	шт.
Норма поставки, шт.	900

Артикул	Код	Цвет
WD-40.01R-GR	401713900	Серый
WD-40.01R-BR	401714000	Коричневый
WD-40.01L-GR	401714100	Серый
WD-40.01L-BR	401714200	Коричневый



ОБРАМЛЕНИЕ ПРОЕМА

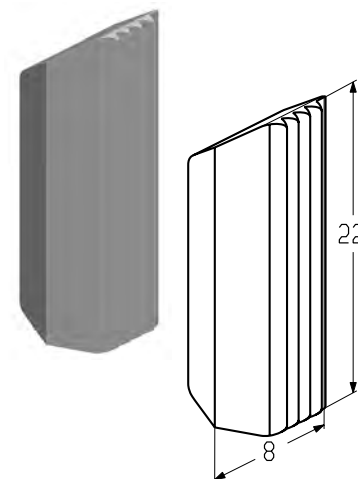
УСТАНОВКА ЗАГЛУШКИ КАЛИТОЧНОЙ



Заглушка калиточная

Предназначена для установки совместно с обрамлением проема и обрамлением калитки.
Устанавливается под обрамление в каждый зиг панелей с рисунком S-, M-, L-гофр.
Используется в калитке с плоским, низким и стандартным порогом.

Материал полиуретан
Вес, кг/шт. 0,001
Единица измерения шт.
Норма поставки, шт. 18000



Артикул	Код
WD2028	401713100

ОБРАМЛЕНИЕ ПРОЕМА

УСТАНОВКА СКОБЫ И КРОНШТЕЙНА



Скоба WD2013N



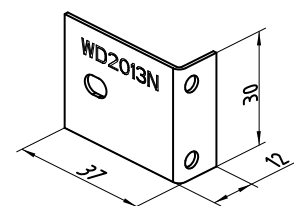
Кронштейн WD2014

Скоба

Предназначена для усиления петли проема и петли калитки по всей высоте встроенной калитки. Используется в калитке с плоским, низким и стандартным порогом.

Материал оцинкованная сталь
 Вес, кг/шт. 0,010
 Единица измерения шт.
 Норма поставки, шт. 1000

Артикул	Код
WD2013N	418700046

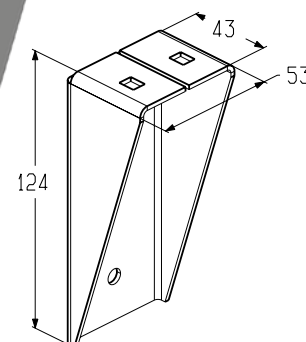
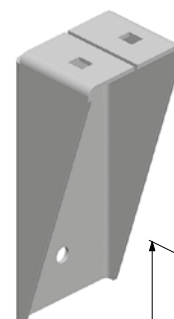


Кронштейн

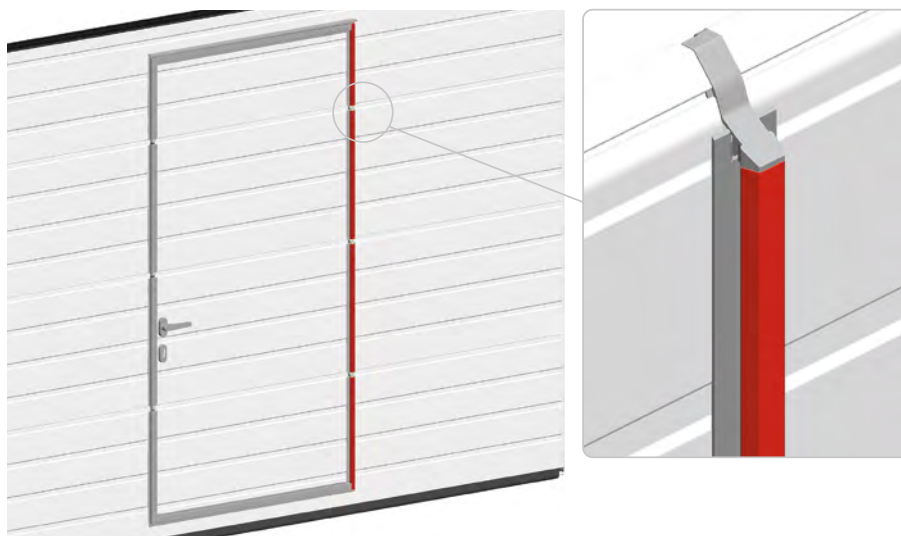
Предназначен для усиления верхней калиточной панели. Устанавливается совместно с профилем усиливающим (PRG-16, PRG-17). Используется в калитке с плоским, низким и стандартным порогом.

Материал оцинкованная сталь
 Покрытие полимерное
 Цвет бело-серый (близкий RAL 9002)
 Вес, кг/шт. 0,210
 Единица измерения шт.
 Норма поставки, шт. 40

Артикул	Код
WD2014	401750200



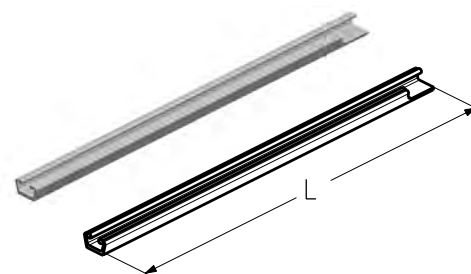
ПЕТЛЯ КАЛИТКИ



Элемент верхней петли

Предназначен для соединения петли калитки и петли проема в верхней панели.
Используется в калитке с плоским, низким и стандартным порогом.

Материал алюминий
Единица измерения шт.
Норма поставки, шт. 10

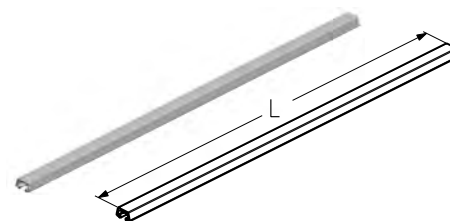


Артикул	Код	Покрытие	Цвет*	Длина (L), мм	Вес, кг/шт.	Применение
WD-40.403R.001	404211391	Анодированное	A00-D6 (серебро)	183	0,038	Для ворот с правой калиткой
	404212533	Порошковое	RAL 8019			
WD-40.404R.001	404211591	Анодированное	A00-D6 (серебро)	308	0,066	
	404212733	Порошковое	RAL 8019			
WD-40.403L.001	404211291	Анодированное	A00-D6 (серебро)	183	0,038	Для ворот с левой калиткой
	404212433	Порошковое	RAL 8019			
WD-40.404L.001	404211491	Анодированное	A00-D6 (серебро)	308	0,066	
	404212633	Порошковое	RAL 8019			

Элемент средней петли

Предназначен для соединения петли калитки и петли проема в промежуточных панелях.
Используется в калитке с плоским, низким и стандартным порогом.

Материал алюминий
Единица измерения шт.
Норма поставки, шт. 10



Артикул	Код	Покрытие	Цвет*	Длина (L), мм	Вес, кг/шт.	Применение
WD-40.250R.001	404124091	Анодированное	A00-D6 (серебро)	481	0,111	Для ворот с правой и левой калиткой
	404124633	Порошковое	RAL 8019			
WD-40.260R.001	404124191	Анодированное	A00-D6 (серебро)	606	0,131	
	404124733	Порошковое	RAL 8019			

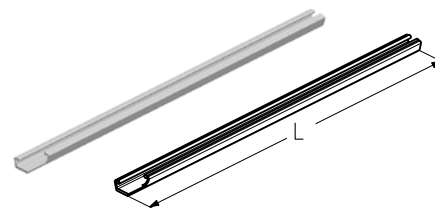
* Указанные в формате RAL **** цвета имеют близкое соответствие шкале RAL.

ПЕТЛЯ КАЛИТКИ

Элемент нижней петли

Предназначен для соединения петли калитки и петли проема в нижней панели.
Используется в калитке со стандартным порогом.

Материал алюминий
Единица измерения шт.
Норма поставки, шт. 10

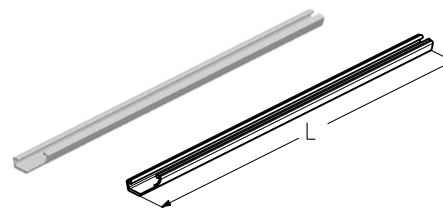


Артикул	Код	Покрытие	Цвет*	Длина (L), мм	Вес, кг/шт.	Применение	
WD-40.152R.001	404236491	Анодированное	A00-D6 (серебро)	377	0,085	Для ворот с правой калиткой	
	404236433	Порошковое	RAL 8019				
WD-40.162R.001	404237091	Анодированное	A00-D6 (серебро)	502	0,114		
	404237033	Порошковое	RAL 8019				
WD-40.152L.001	404236391	Анодированное	A00-D6 (серебро)	377	0,085		Для ворот с левой калиткой
	404236333	Порошковое	RAL 8019				
WD-40.162L.001	404236991	Анодированное	A00-D6 (серебро)	502	0,114		
	404236933	Порошковое	RAL 8019				

Элемент нижней петли

Предназначен для соединения петли калитки и петли проема в нижней панели.
Используется в калитке с низким порогом.

Материал алюминий
Единица измерения шт.
Норма поставки, шт. 10

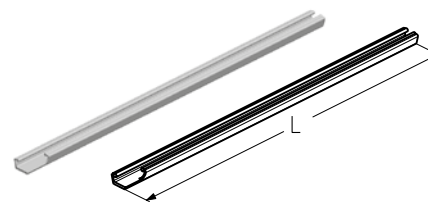


Артикул	Код	Покрытие	Цвет*	Длина (L), мм	Вес, кг/шт.	Применение	
WD-40.151R.001	404236291	Анодированное	A00-D6 (серебро)	422	0,095	Для ворот с правой калиткой	
	404236233	Порошковое	RAL 8019				
WD-40.161R.001	404236891	Анодированное	A00-D6 (серебро)	547	0,124		
	404236833	Порошковое	RAL 8019				
WD-40.151L.001	404236191	Анодированное	A00-D6 (серебро)	422	0,095		Для ворот с левой калиткой
	404236133	Порошковое	RAL 8019				
WD-40.161L.001	404236791	Анодированное	A00-D6 (серебро)	547	0,124		
	404236733	Порошковое	RAL 8019				

Элемент нижней петли

Предназначен для соединения петли калитки и петли проема в нижней панели.
Используется в калитке с плоским порогом.

Материал алюминий
Единица измерения шт.
Норма поставки, шт. 10

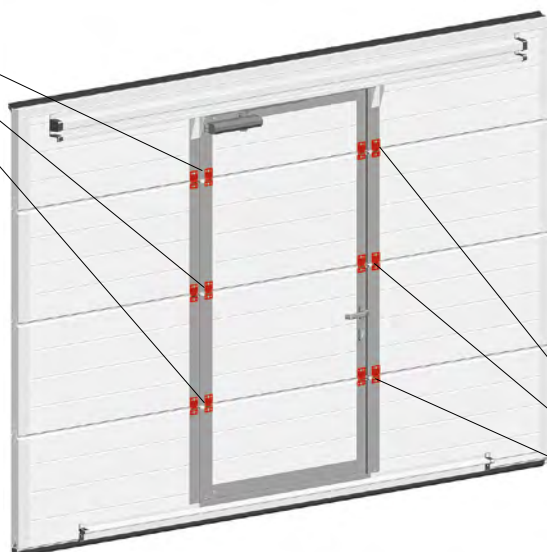


Артикул	Код	Покрытие	Цвет*	Длина (L), мм	Вес, кг/шт.	Применение	
WD-40.153R.001	404236691	Анодированное	A00-D6 (серебро)	493	0,110	Для ворот с правой калиткой	
	404236633	Порошковое	RAL 8019				
WD-40.163R.001	404237291	Анодированное	A00-D6 (серебро)	618	0,140		
	404237233	Порошковое	RAL 8019				
WD-40.153L.001	404236591	Анодированное	A00-D6 (серебро)	493	0,110		Для ворот с левой калиткой
	404236533	Порошковое	RAL 8019				
WD-40.163L.001	404237191	Анодированное	A00-D6 (серебро)	618	0,140		
	404237133	Порошковое	RAL 8019				

* Указанные в формате RAL **** цвета имеют близкое соответствие шкале RAL.

ПЕТЛЯ ПРОМЕЖУТОЧНАЯ

Петля промежуточная (WH-40.011)

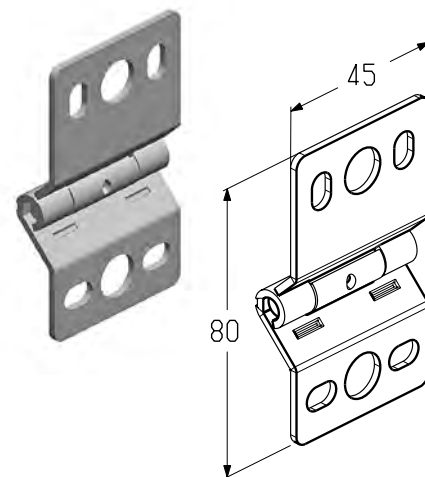


Петля промежуточная (WH-40.011)

Петля промежуточная

Предназначена для соединения калиточных панелей. Устанавливается на обрамление проема и обрамление калитки. Используется в калитке с плоским, низким и стандартным порогом.

Материал оцинкованная сталь
 Вес, кг/шт. 0,072
 Единица измерения шт.
 Норма поставки, шт. 300



Артикул	Код
WH-40.011	404240400

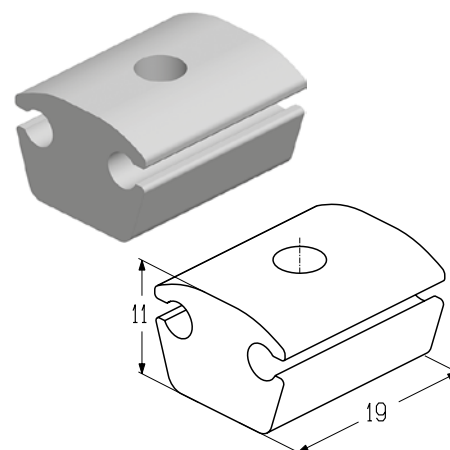
СУХАРЬ



Сухарь

Предназначен для предотвращения взаимного перемещения петли проема относительно петли калитки. Используется в калитке с плоским, низким и стандартным порогом.

Материал пластмасса
 Вес, кг/шт. 0,003
 Единица измерения шт.
 Норма поставки, шт. 100



Артикул	Код
WD100	401720100

1.1

1.2

1.3

1.4

1.5

2

3

4

ПРОФИЛЬ УСИЛИВАЮЩИЙ НИЖНИЙ



Профиль усиливающий
PRG-12

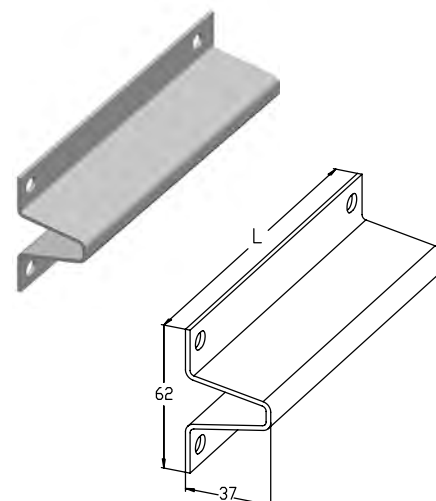


Профиль усиливающий
PRG-13

Профиль усиливающий

Предназначен для усиления нижней калиточной секции.
Используется в калитке с низким порогом.

Материал оцинкованная сталь
Покрытие полимерное
Цвет бело-серый (близкий RAL 9002)
Вес, кг/м 2,175
Единица измерения м

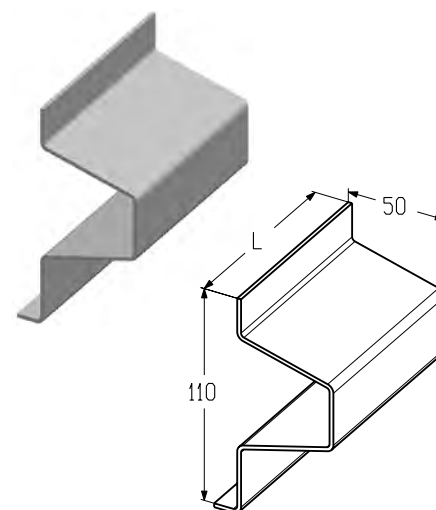


Артикул	Код	Длина (L), мм	Норма поставки	
			м	шт.
PRG-12	401411110	5940	285,12	48
		6270	300,96	

Профиль усиливающий

Предназначен для усиления нижней калиточной секции.
Используется в калитке со стандартным порогом.

Материал оцинкованная сталь
Покрытие полимерное
Цвет бело-серый (близкий RAL 9002)
Вес, кг/м 3,195
Единица измерения м



Артикул	Код	Длина (L), мм	Норма поставки	
			м	шт.
PRG-13	401411210	4620	92,40	20
		5610	112,2	
		6600	132,00	

ЗАГЛУШКА НИЖНЯЯ

Заглушка WD12P

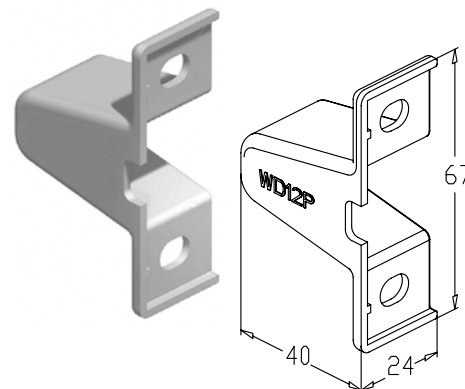


Заглушка WD13PR/L

Заглушка

Устанавливается совместно с профилем усиливающим (**PRG-12**).
Используется в калитке с низким порогом.

Материал PA
 Вес, кг/шт. 0,008
 Единица измерения шт.
 Норма поставки, шт. 650

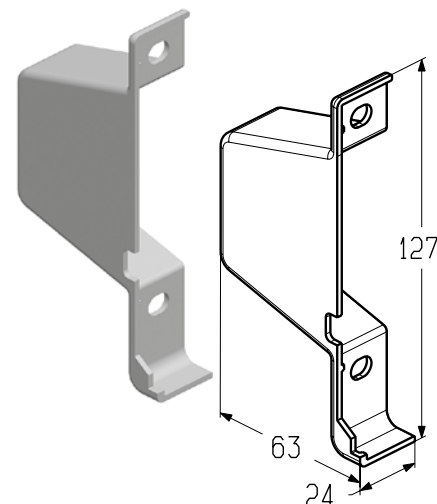


Артикул	Код	Применение
WD12P	401716100	Универсальная

Заглушка

Устанавливается совместно с профилем усиливающим (**PRG-13**).
Используется в калитке со стандартным порогом.

Материал PA
 Вес, кг/шт. 0,016
 Единица измерения шт.
 Норма поставки, шт. 400



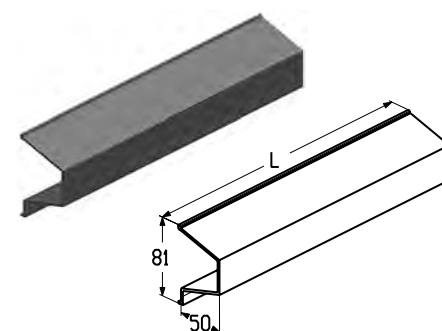
Артикул	Код	Применение
WD13PL	401712400	Левая
WD13PR	401712300	Правая

ЗАГЛУШКА НИЖНЯЯ

Профиль воротный

Предназначен для усиления нижней панорамной калиточной секции.
Используется в калитке со стандартным порогом.

Материал алюминий
 Длина, мм 6000
 Покрытие анодированное
 Цвет A00-D6 (серебро)
 Вес, кг/м 1,016
 Единица измерения м



Артикул	Код	Норма поставки, м	Норма поставки, шт.
PRD13	4000557	24	4

ПРОФИЛЬ УСИЛИВАЮЩИЙ ВЕРХНИЙ



**Профиль усиливающий
PRG-16**

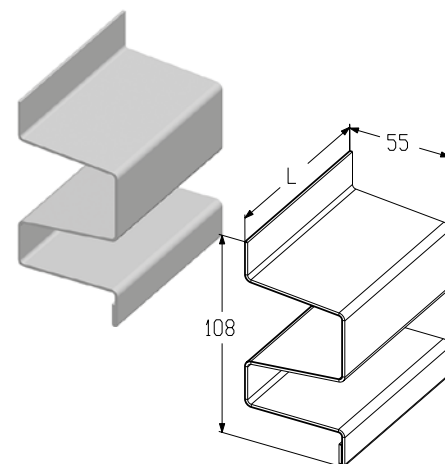


**Профиль усиливающий
PRG-17**

Профиль усиливающий

Предназначен для усиления верхней калиточной секции. Используется при врезке калитки в последнюю воротную панель.
Используется в калитке с плоским, низким и стандартным порогом.

Материал оцинкованная сталь
Покрытие полимерное
Цвет бело-серый (близкий RAL 9002)
Вес, кг/м 3,20
Единица измерения м

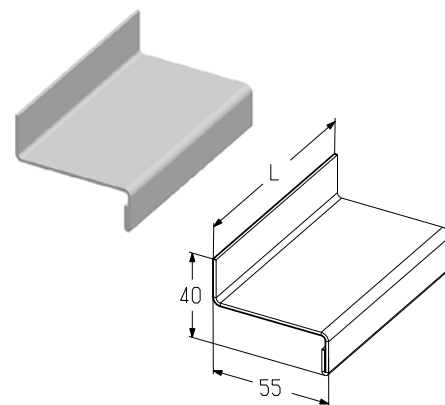


Артикул	Код	Длина (L), мм	Норма поставки	
			м	шт.
PRG-16	401411510	5280	158,4	30
		6600	198,0	

Профиль усиливающий

Предназначен для усиления верхней калиточной секции. Используется при врезке калитки в ворота, в которых верхняя калиточная секция не является верхней секцией полотна ворот. Используется в калитке с плоским, низким и стандартным порогом.

Материал оцинкованная сталь
Покрытие полимерное
Цвет бело-серый (близкий RAL 9002)
Вес, кг/м 1,20
Единица измерения м



Артикул	Код	Длина (L), мм	Норма поставки	
			м	шт.
PRG-17	401411610	5280	633,6	120
		6600	792,0	

ЗАГЛУШКА ВЕРХНЯЯ

Заглушка WD16PR/L

Заглушка WD17PR/L

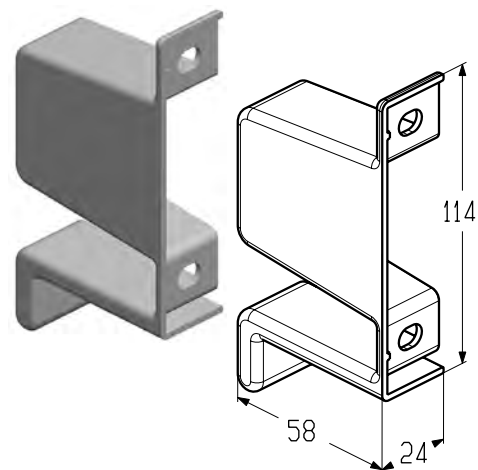


Заглушка

Устанавливается совместно с профилем усиливающим (**PRG-16**).
Используется в калитке с плоским, низким и стандартным порогом.

Материал	PA
Вес, кг/шт.	0,024
Единица измерения	шт.
Норма поставки, шт.	200

Артикул	Код	Применение
WD16PL	401712600	Левая
WD16PR	401712500	Правая

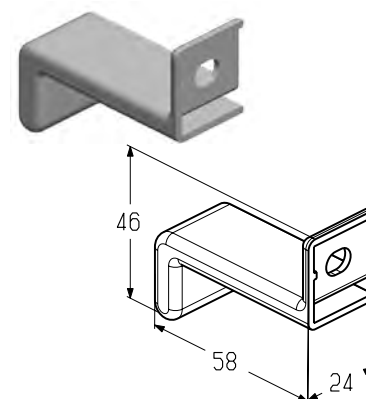


Заглушка

Устанавливается совместно с профилем усиливающим (**PRG-17**).
Используется в калитке с плоским, низким и стандартным порогом.

Материал	PA
Вес, кг/шт.	0,008
Единица измерения	шт.
Норма поставки, шт.	500

Артикул	Код	Применение
WD17PL	401712800	Левая
WD17PR	401712700	Правая



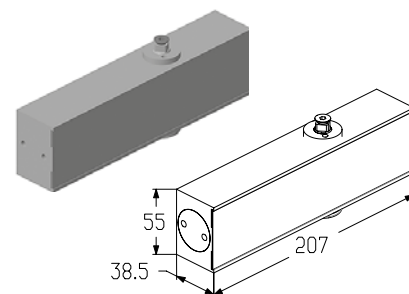
АКСЕССУАРЫ ДЛЯ ВСТРОЕННОЙ КАЛИТКИ

Доводчик дверной

Предназначен для автоматического закрывания калитки.
Используется совместно с тягой доводчика (**DP2020**).
Используется в калитке с плоским, низким и стандартным порогом.

Вес, кг/шт. 1,97
Единица измерения шт.
Норма поставки, шт. 10

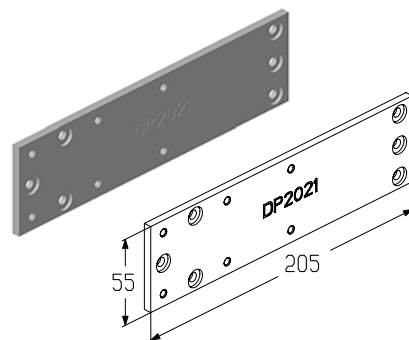
Артикул	Код
DP2022	418700290

**Пластина соединительная**

Используется совместно с тягой доводчика (**DP2020**) и доводчиком (**DP2022**).
Применяется в калитке с плоским, низким и стандартным порогом.

Вес, кг/шт. 0,43
Единица измерения шт.
Норма поставки, шт. 10

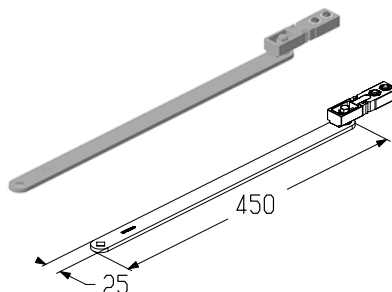
Артикул	Код	Цвет*
DP2021	405000045	RAL 9006

**Тяга доводчика**

Предназначена для установки совместно с доводчиком (**DP2022**).
Используется в калитке с плоским, низким и стандартным порогом.

Вес, кг/шт. 0,43
Единица измерения шт.
Норма поставки, шт. 10

Артикул	Код	Цвет*
DP2020	418700282	RAL 9006



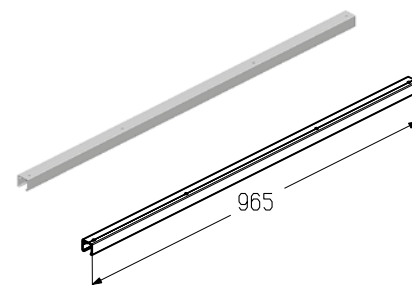
* Указанные в формате RAL **** цвета имеют близкое соответствие шкале RAL.

АКСЕССУАРЫ ДЛЯ ВСТРОЕННОЙ КАЛИТКИ

Шина доводчика

Предназначена для движения тяги доводчика (**DP2020**).
Устанавливается совместно с профилем усиливающим (**PRG-16, PRG-17**).
Используется в калитке с плоским, низким и стандартным порогом.

Длина, мм	965
Материал	алюминий
Вес, кг/шт.	0,510
Единица измерения	шт.
Норма поставки, шт.	10



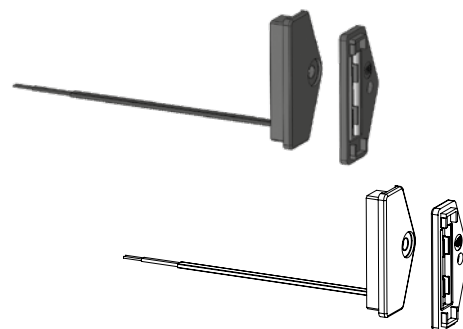
Артикул	Код	Цвет*
WD403R.108	404470191	A00-D6 (анодирование)
	404470133	RAL 8019

Контакт калитки

Предназначен для отключения электропривода при открытой калитке.
Используется в калитке с плоским, низким и стандартным порогом.

Единица измерения	шт.
Норма поставки, шт.	10

Артикул	Код	Вес, кг	Длина кабеля, м
WSL-3	508000016	0,060	3
WSL-8	508000021	0,210	8

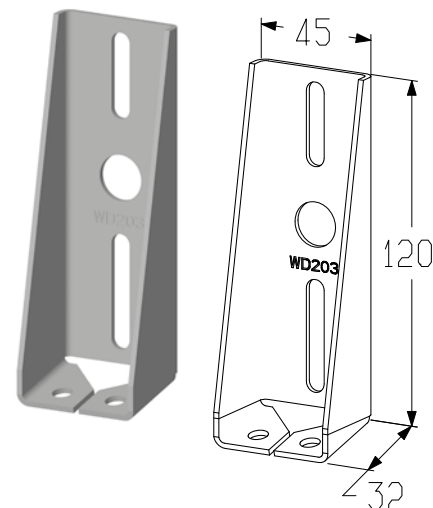


Кронштейн

Предназначен для усиления нижней секции калитки.
Устанавливается совместно с профилем усиливающим (**PRG-12, PRG-13**). Используется в калитке с низким и стандартным порогом.

Материал	оцинкованная сталь
Вес, кг/шт.	1,570
Единица измерения	шт.
Норма поставки, шт.	1

Артикул	Код
WD2035	404400200



* Указанные в формате RAL **** цвета имеют близкое соответствие шкале RAL.

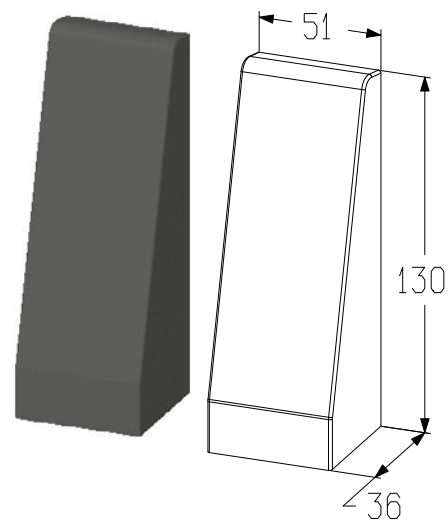
АКСЕССУАРЫ ДЛЯ ВСТРОЕННОЙ КАЛИТКИ

Крышка кронштейна

Устанавливается совместно с кронштейном (WD2035).
Используется в калитке с низким и стандартным порогом.

Материал АБС
Вес, кг/шт. 0,040
Единица измерения шт.
Норма поставки, шт. 1

Артикул	Код
WD2039	404400300



1.1

1.2

1.3

1.4

1.5

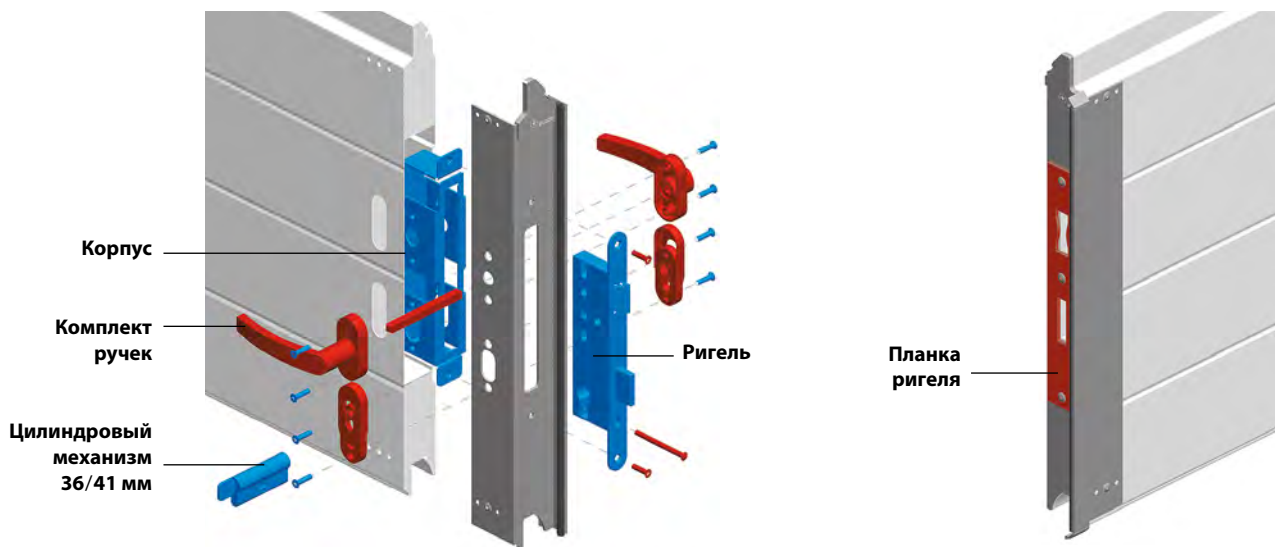
2

3

4

АКСЕССУАРЫ ДЛЯ ВСТРОЕННОЙ КАЛИТКИ

УСТАНОВКА ЗАМКА КАЛИТКИ

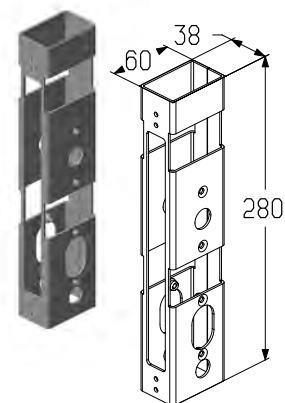


Корпус замка анти-паник В

Предназначен для установки ригеля (**WL0202-PC** или **PED-2041-PC**). Входит в состав устройства экстренного открывания дверей функция **В (PED21-40)** при его наличии в воротах. Используется в калитке с плоским, низким и стандартным порогом.

Материал	оцинкованная сталь
Вес, кг/шт.	0,562
Единица измерения	шт.
Норма поставки, шт.	1

Артикул	Код
PED-2503	418700190

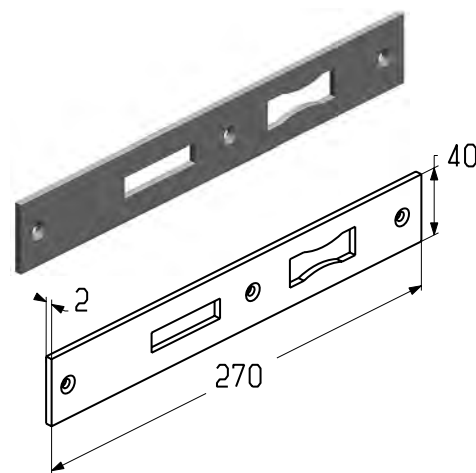


Планка ригеля

Предназначена для установки на обрамление проема среднее (**WD-40.250R.302KFV**, **WD-40.250L.302KFV**, **WD-40.260R.302KFV**, **WD-40.260L.302KFV**). Используется в калитке с плоским, низким и стандартным порогом.

Материал	нержавеющая сталь
Вес, кг/шт.	0,130
Единица измерения	шт.
Норма поставки, шт.	10

Артикул	Код
WD0210	418700200



АКСЕССУАРЫ ДЛЯ ВСТРОЕННОЙ КАЛИТКИ

Комплект ручек

Предназначен для установки в калитке с плоским, низким и стандартным порогом.

Материал цинковый сплав
 Вес, кг/шт. 0,885
 Единица измерения шт.
 Норма поставки, шт. 10

Используется:

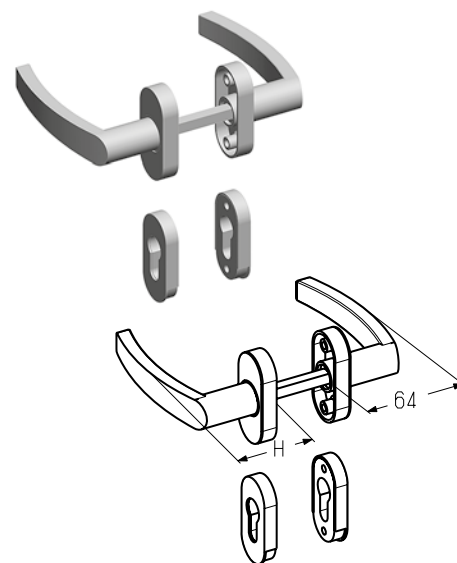
- для гаражных ворот стандартного типа монтажа;
- для промышленных ворот всех типов монтажа, кроме высоких, вертикальных и наклонных высоких.

Артикул	Код	Покрытие	Цвет*	Вылет наружной ручки от полотна ворот (H), мм	Примечание
WL2021-SL	404410191	Анодированное	A00-D6 (серебро)	64	Евроцилиндр
WL2021-BR	404410133	Порошковое	RAL 8019		
WL2021-BK	404410130	Порошковое	RAL 9005		

Используется:

- для гаражных ворот низкого и высокого типов монтажа;
- для промышленных ворот высоких, вертикальных и наклонных высоких типов монтажа с верхним и нижним расположением вала.

Артикул	Код	Покрытие	Цвет*	Вылет наружной ручки от полотна ворот (H), мм	Примечание
WL2022-SL	404410291	Анодированное	A00-D6 (серебро)	24	Евроцилиндр
WL2022-BR	404410233	Порошковое	RAL 8019		
WL2022-BK	404410230	Порошковое	RAL 9005		



Комплект ручек

Предназначен для установки в калитке с плоским, низким и стандартным порогом.

Материал нержавеющая сталь
 Вес, кг/шт. 0,500
 Единица измерения шт.
 Норма поставки, шт. 1

Используется:

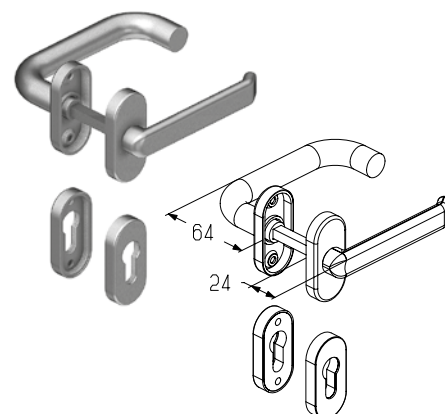
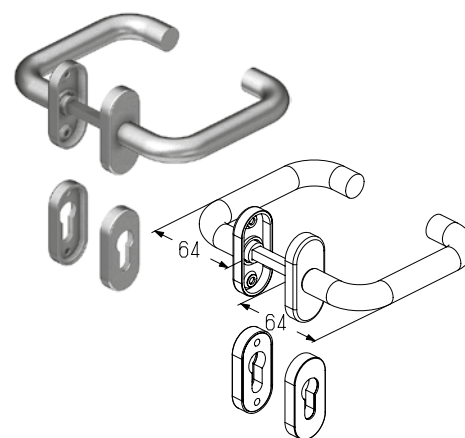
- для гаражных ворот стандартного типа монтажа;
- для промышленных ворот всех типов монтажа, кроме высоких, вертикальных и наклонных высоких.

Артикул	Код	Покрытие	Цвет*	Вылет наружной ручки от полотна ворот, мм	Примечание
WL2025-SS	415700136	Порошковое	Нержавеющая сталь	64	Евроцилиндр
WL2025-BR	415700137		RAL 8019		
WL2025-BK	415700138		RAL 9005		

Используется:

- для гаражных ворот низкого и высокого типов монтажа;
- для промышленных ворот высоких, вертикальных и наклонных высоких типов монтажа с верхним и нижним расположением вала.

Артикул	Код	Покрытие	Цвет*	Вылет наружной ручки от полотна ворот, мм	Примечание
WL2026-SS	415700140	Порошковое	Нержавеющая сталь	24	Евроцилиндр
WL2026-BR	415700141		RAL 8019		
WL2026-BK	415700142		RAL 9005		



* Указанные в формате RAL **** цвета имеют близкое соответствие шкале RAL.

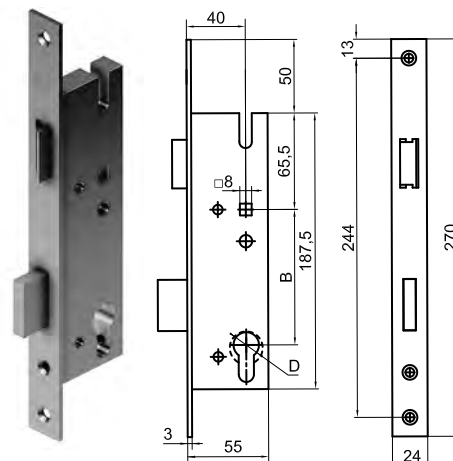
АКСЕССУАРЫ ДЛЯ ВСТРОЕННОЙ КАЛИТКИ

Ригель

Предназначен для установки совместно с корпусом (**PED-2503**).
Используется в калитке с плоским, низким и стандартным порогом.

Вес, кг/шт. 0,660
Единица измерения шт.
Норма поставки, шт. 10

Артикул	Код	Диаметр D, мм	Расстояние B, мм	Примечание
WL0202-PC	415700110	17,3	92	Евроцилиндр

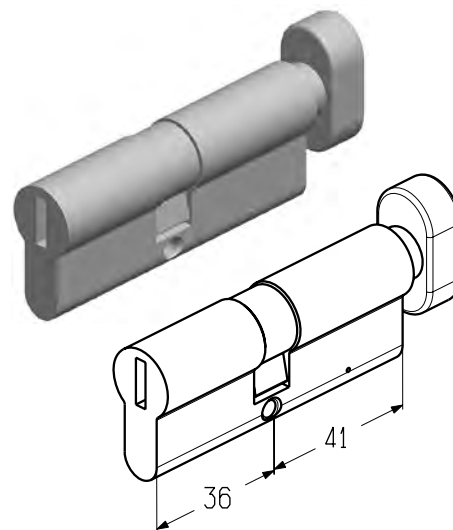


Цилиндровый механизм 36/41 мм

Предназначен для установки совместно с ригелем (**WL0202-PC**).
Используется в калитке с плоским, низким и стандартным порогом.

Вес, кг/шт. 0,294
Единица измерения шт.
Норма поставки, шт. 10

Артикул	Код
C-36/41M	404410700

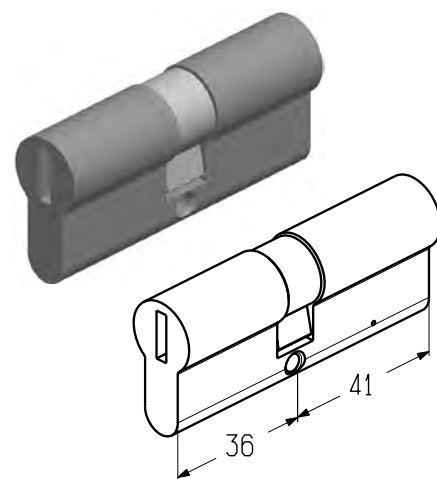


Цилиндровый механизм 36/41 мм

Предназначен для установки совместно с ригелем (**WL0202-PC**).
Используется в калитке с плоским, низким и стандартным порогом.

Вес, кг/шт. 0,264
Единица измерения шт.
Норма поставки, шт. 10

Артикул	Код
C-36/41	404410500

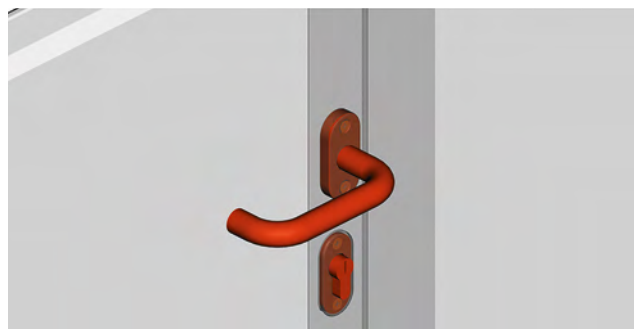


АКСЕССУАРЫ ДЛЯ ВСТРОЕННОЙ КАЛИТКИ

УСТАНОВКА УСТРОЙСТВА ЭКСТРЕННОГО ОТКРЫВАНИЯ ДВЕРЕЙ С ФУНКЦИЕЙ В



Вид снаружи



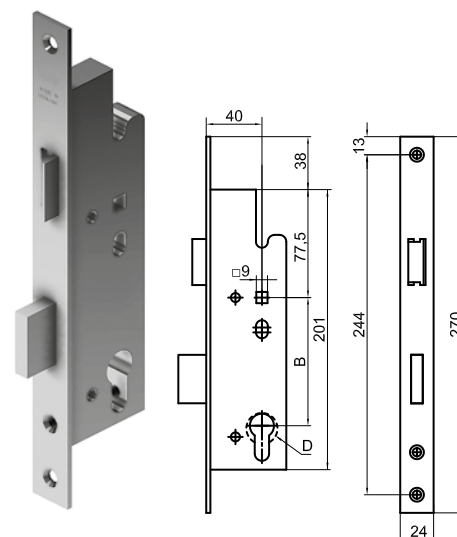
Вид изнутри

Ригель замка анти-паник В

Используется в калитке с плоским, низким и стандартным порогом.
Входит в состав устройства экстренного открывания дверей функция В (PED21-40).

Вес, кг/шт. 0,601
Единица измерения шт.
Норма поставки, шт. 1

Артикул	Код	Диаметр D, мм	Расстояние В, мм	Примечание
PED-2041-PC	418700138	17,3	92	Евроцилиндр

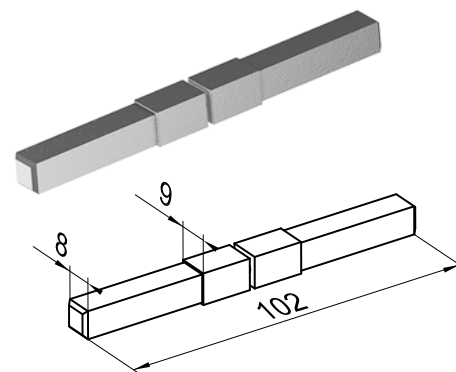


Квадрат раздельный анти-паник В

Используется в калитке с плоским, низким и стандартным порогом.
Входит в состав устройства экстренного открывания дверей функция В (PED21-40).

Материал оцинкованная сталь
Вес, кг/шт. 0,060
Единица измерения шт.
Норма поставки, шт. 10

Артикул	Код
PED-2042	401700500



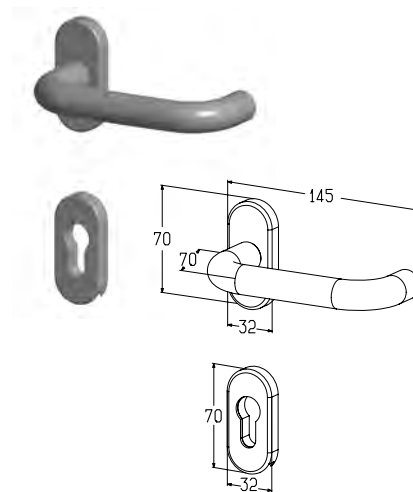
АКСЕССУАРЫ ДЛЯ ВСТРОЕННОЙ КАЛИТКИ

Комплект ручек анти-паник В

Используется в калитке с плоским, низким и стандартным порогом.
Входит в состав устройства экстренного открывания дверей функция В (PED21-40).

Материал нержавеющая сталь
Единица измерения шт.
Норма поставки, шт. 1

Артикул	Код	Применение	Примечание	Вес, кг/шт.
PED-2040R	401700700	Правый	Евроцилиндр	0,275
PED-2040L	401700800	Левый		
PED-2050R	415700135	Правый	Евроцилиндр	0,300
PED-2050L	415700134	Левый		



АКСЕССУАРЫ ДЛЯ ВСТРОЕННОЙ КАЛИТКИ

УСТАНОВКА УСТРОЙСТВА ЭКСТРЕННОГО ОТКРЫВАНИЯ ДВЕРЕЙ С ФУНКЦИЕЙ E



Вид снаружи



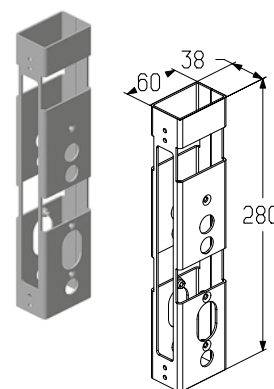
Вид изнутри

Корпус замка анти-паник E

Предназначен для установки ригеля (PED-2044-PC).
Входит в состав устройства экстренного открывания дверей функция E (PED22-40).
Используется в калитке с плоским, низким и стандартным порогом.

Материал оцинкованная сталь
Вес, кг/шт. 0,554
Единица измерения шт.
Норма поставки, шт. 1

Артикул	Код
PED-2504	418700191

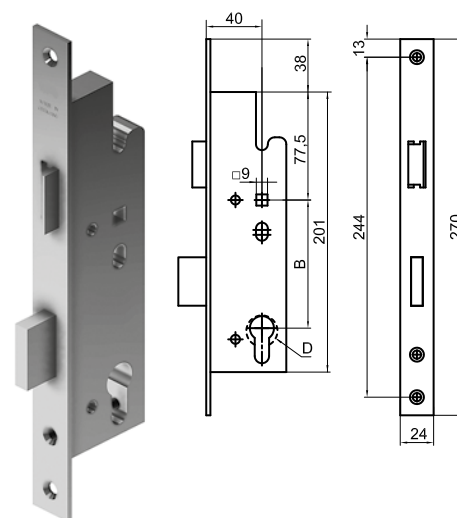


Ригель замка анти-паник E

Используется в калитке с плоским, низким и стандартным порогом.
Входит в состав устройства экстренного открывания дверей функция E (PED22-40).

Вес, кг/шт. 0,765
Единица измерения шт.
Норма поставки, шт. 10

Артикул	Код	Диаметр D, мм	Расстояние E, мм	Примечание
PED-2044-PC	418700136	17,3	92	Евроцилиндр

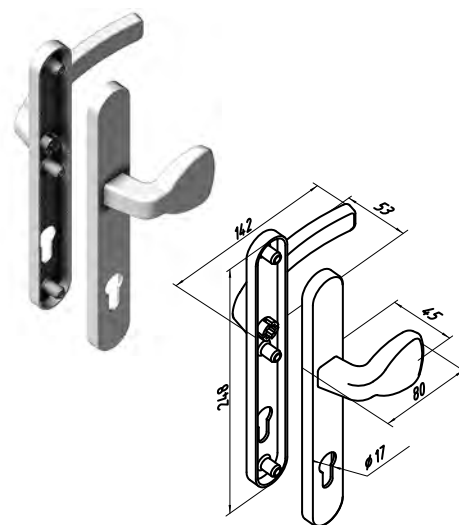


Комплект ручек анти-паник E

Используется в калитке с плоским, низким и стандартным порогом.
Входит в состав устройства экстренного открывания дверей функция E (PED22-40).

Материал цинковый сплав
Вес, кг/шт. 1,040
Единица измерения шт.
Норма поставки, шт. 10

Артикул	Код	Применение	Примечание
FLGU.400.1008	417200095	Левый	Евроцилиндр
FLGU.400.1009	417200195	Правый	

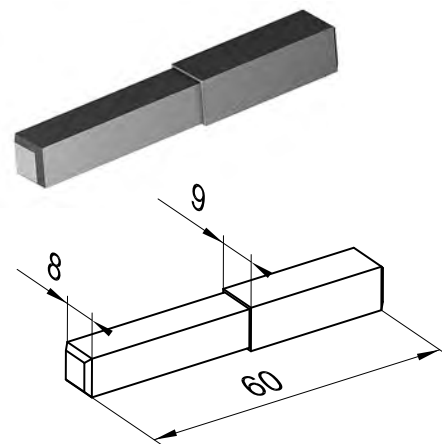


Квадрат отдельный анти-паник E

Используется в калитке с плоским, низким и стандартным порогом.
Входит в состав устройства экстренного открывания дверей функция E (PED22-40).

Материал оцинкованная сталь
Вес, кг/шт. 0,040
Единица измерения шт.
Норма поставки, шт. 1

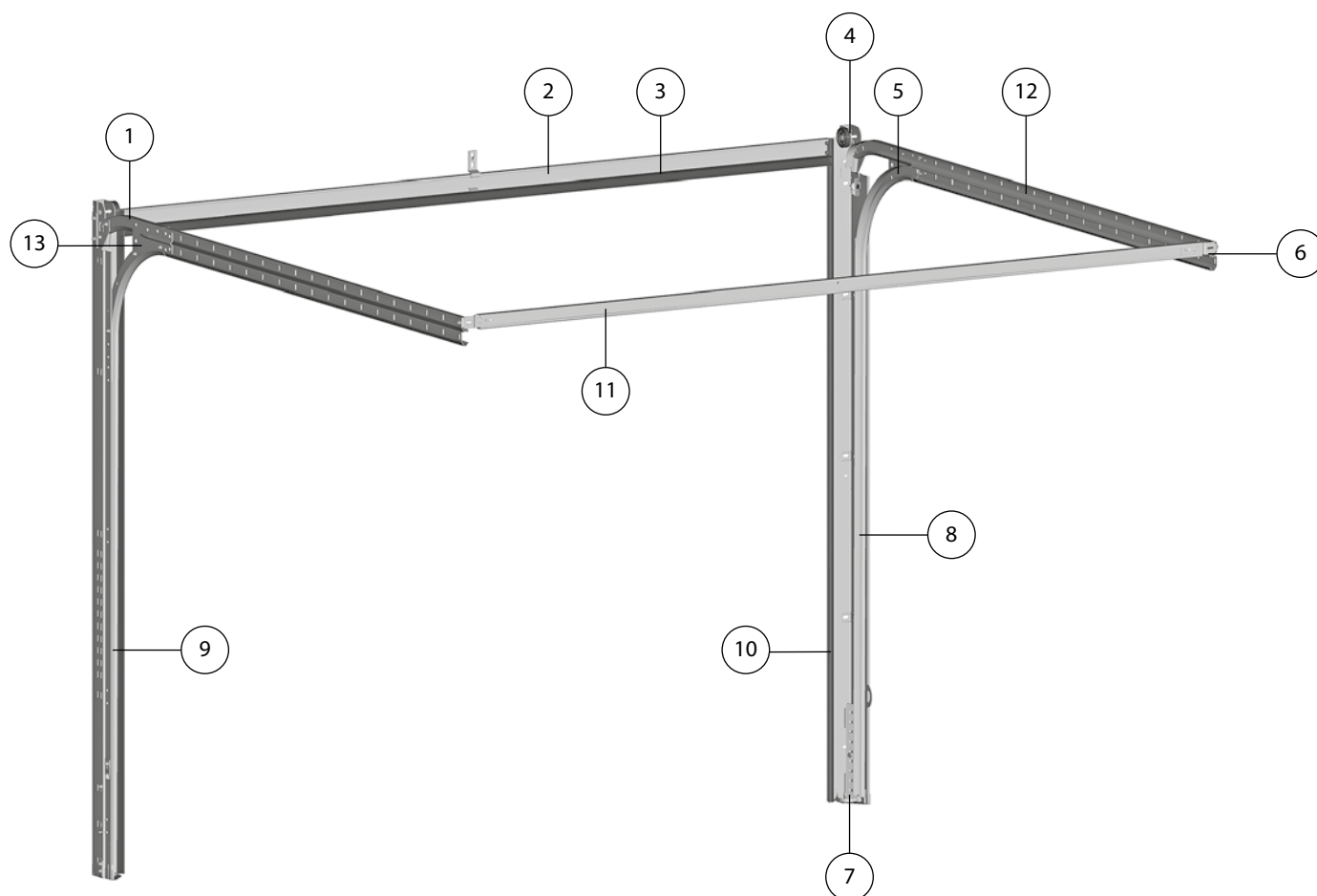
Артикул	Код
PED-2045	401701200



1.4

Системы направляющих
и подвеса

ТИПОВАЯ КОНСТРУКЦИЯ СИСТЕМЫ НАПРАВЛЯЮЩИХ И ПОДВЕСА ГАРАЖНЫХ ВОРОТ СЕРИИ TREND С ПРУЖИНАМИ РАСТЯЖЕНИЯ



№	Наименование	№	Наименование
1	Узел направляющий передний	8	Профиль направляющий (вертикальный)
2	Профиль передний (нащельник)	9	Профиль угловой
3	Вставка уплотнительная (верхняя)	10	Вставка уплотнительная (боковая)
4	Кронштейн	11	C-профиль (мерная планка)
5	Элемент радиусный	12	Профиль направляющий (горизонтальный)
6	Кронштейн мерной планки	13	Пластина соединительная
7	Ограничитель угловой стойки		

1.1

1.2

1.3

1.4

1.5

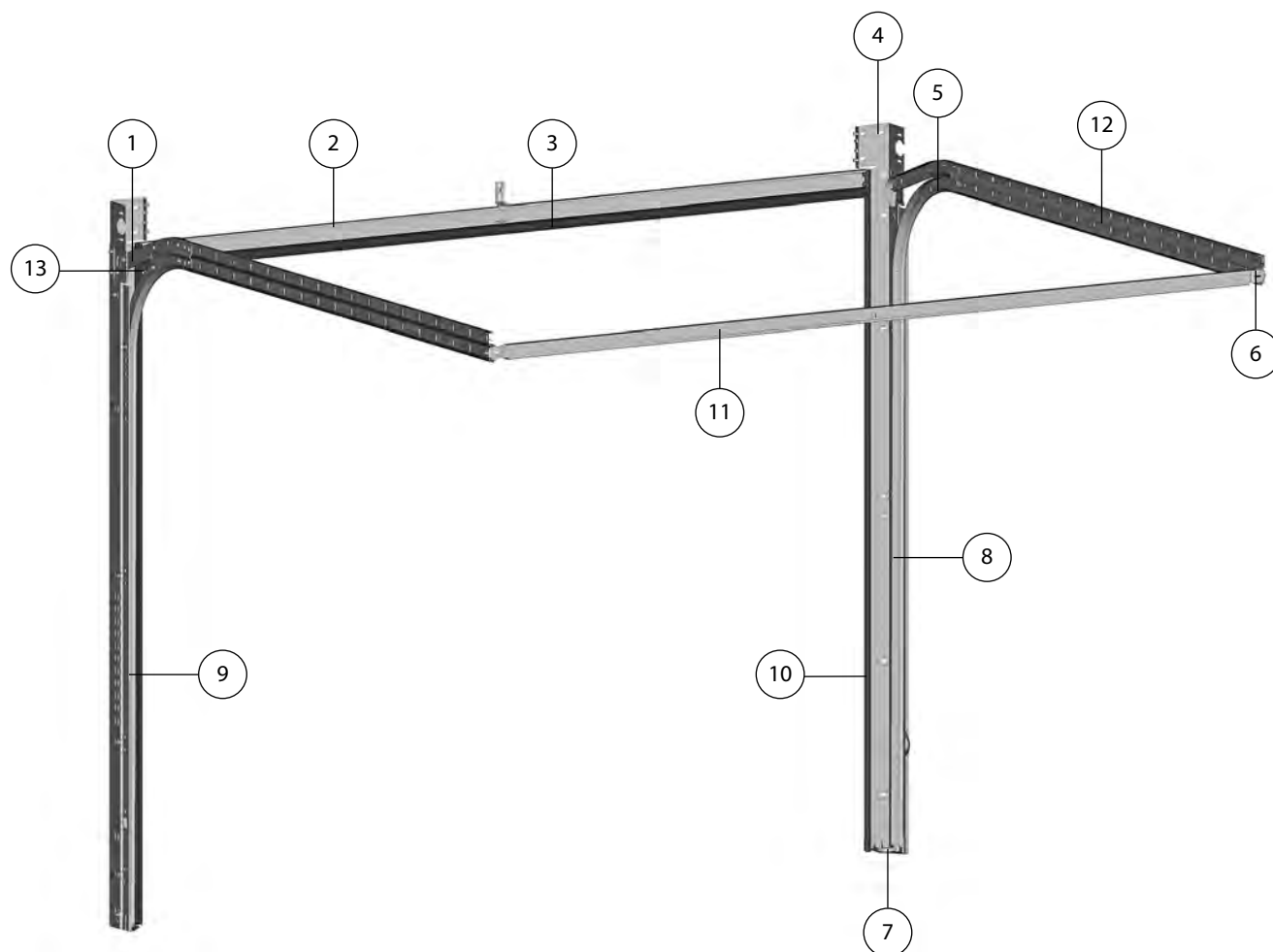
2

3

4

ТИПОВАЯ КОНСТРУКЦИЯ СИСТЕМЫ НАПРАВЛЯЮЩИХ И ПОДВЕСА ГАРАЖНЫХ ВОРОТ СЕРИИ TREND С ТОРСИОННЫМИ ПРУЖИНАМИ

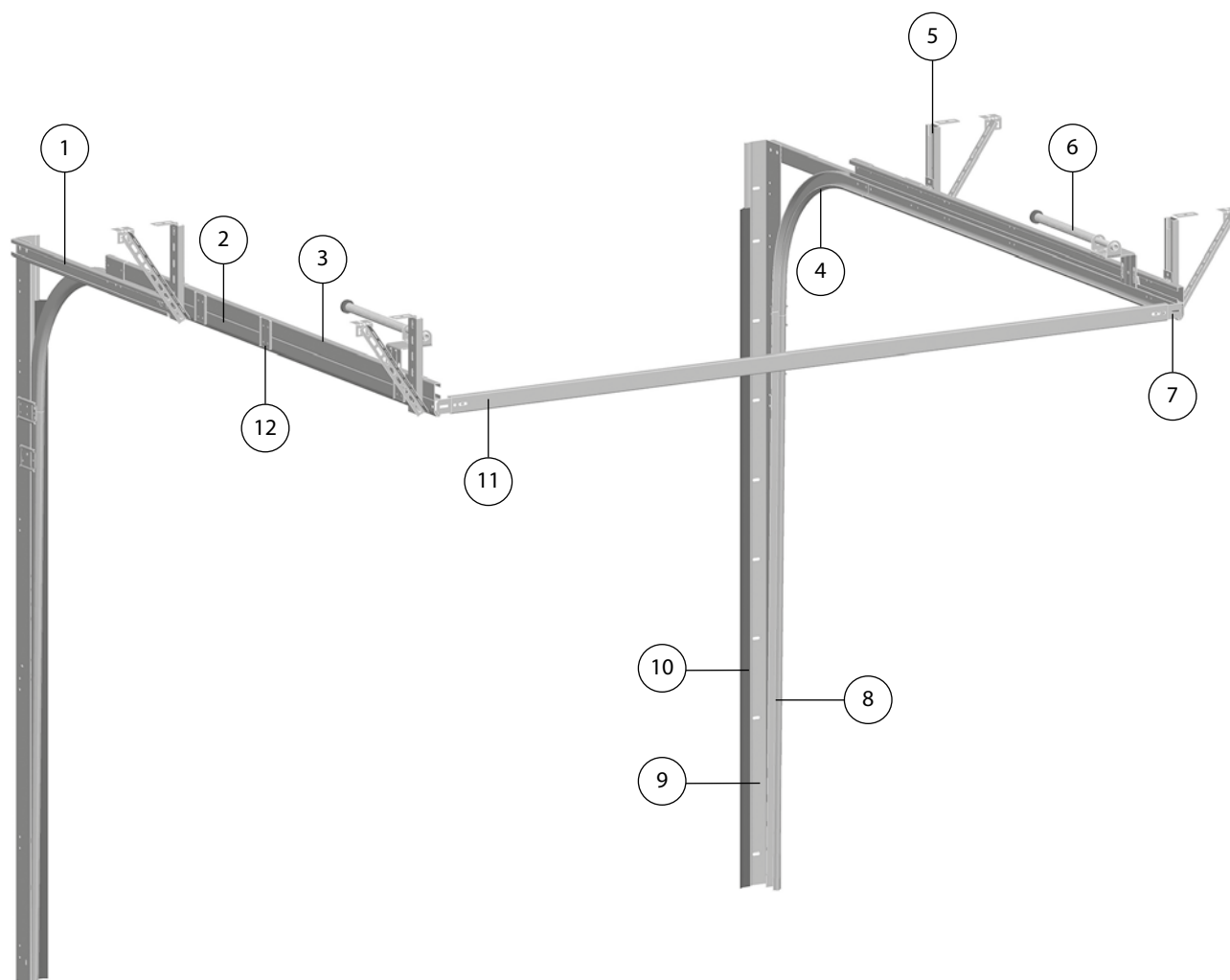
СТАНДАРТНЫЙ ТИП МОНТАЖА



№	Наименование	№	Наименование
1	Узел направляющий передний	8	Профиль направляющий (вертикальный)
2	Профиль передний (нащельник)	9	Профиль угловой
3	Вставка уплотнительная (верхняя)	10	Вставка уплотнительная (боковая)
4	Кронштейн	11	C-профиль (мерная планка)
5	Элемент радиусный	12	Профиль направляющий (горизонтальный)
6	Кронштейн мерной планки	13	Пластина соединительная
7	Ограничитель угловой стойки		

ТИПОВАЯ КОНСТРУКЦИЯ СИСТЕМЫ НАПРАВЛЯЮЩИХ И ПОДВЕСА ПРОМЫШЛЕННЫХ ВОРОТ СЕРИИ PROTREND, ПАНОРАМНЫХ ВОРОТ СЕРИИ ALUTREND

СТАНДАРТНЫЙ ТИП МОНТАЖА



№	Наименование	№	Наименование
1	Узел направляющий передний	7	Кронштейн мерной планки
2	Профиль направляющий (горизонтальный)	8	Профиль направляющий (вертикальный)
3	C-профиль	9	Профиль угловой
4	Элемент радиусный	10	Вставка уплотнительная
5	Телескопический подвес	11	C-профиль (мерная планка)
6	Демпфер	12	Пластина соединительная

1.1

1.2

1.3

1.4

1.5

2

3

4

ПРОФИЛИ УГЛОВЫЕ

ДЛЯ ГАРАЖНЫХ ВОРОТ

Профиль угловой

Предназначен для изготовления вертикальных направляющих.
Используется в гаражных воротах с пружинами растяжения и торсионными пружинами всех типов монтажа.

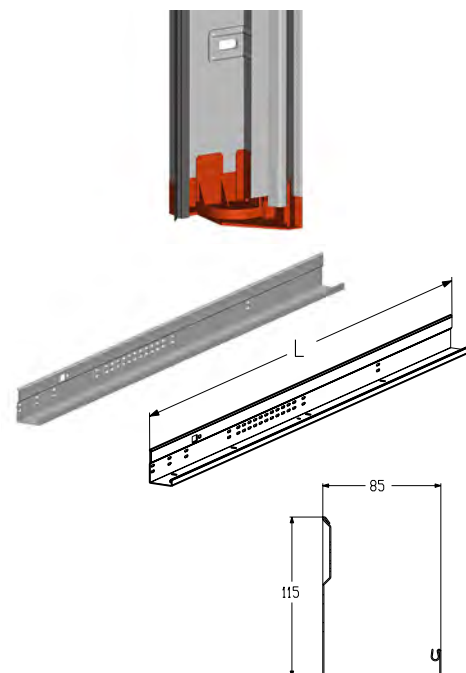
Толщина (S), мм	0,8
Материал	оцинкованная сталь
Покрытие	полимерное
Цвет	белый (близкий RAL 9016)
Вес, кг/м	1,54
Единица измерения	м

Артикул	Код	Применение	Длина (L), мм	Норма поставки	
				м	шт.
PRG-30L	402055412	Левый	2030	20,30	10
			2155	21,55	
			2280	22,80	
			2405	24,05	
			2530	25,30	
			2780	27,80	
			3030	30,30	
3310	33,10				
PRG-30R	402055312	Правый	2030	20,30	
			2155	21,55	
			2280	22,80	
			2405	24,05	
			2530	25,30	
			2780	27,80	
			3030	30,30	
3310	33,10				

Профиль угловой



Ограничитель угловой стойки



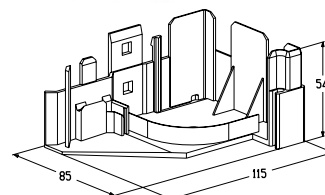
Ограничитель угловой стойки

Устанавливается совместно с профилем угловым (PRG-30L/R).
Используется в гаражных воротах с пружинами растяжения и торсионными пружинами всех типов монтажа.

Материал	полиамид стеклонаполненный
Вес, кг/шт.	0,04
Единица измерения	шт.
Норма поставки, шт.	30

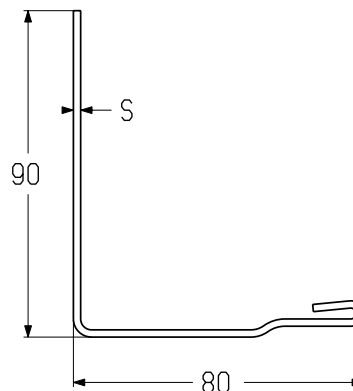


Артикул	Код	Применение
LD-3508R	418700049	Правый
LD-3508L	418700048	Левый



ПРОФИЛИ УГЛОВЫЕ

ДЛЯ ПРОМЫШЛЕННЫХ ВОРОТ

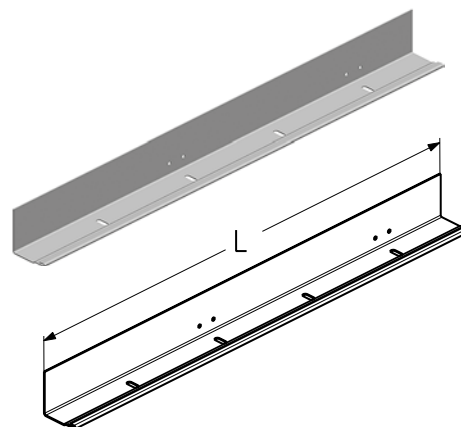


Профиль угловой

Предназначен для изготовления вертикальных направляющих.
Используется в промышленных воротах всех типов монтажа, кроме низкого и наклонного низкого.

Толщина (S), мм 2,0
Материал оцинкованная сталь
Вес, кг/м 2,74
Единица измерения м

Артикул	Код	Длина (L), мм	Норма поставки	
			м	шт.
PRG01	402032000	3355	100,65	30
		3855	115,65	
		4255	127,65	
		4555	136,65	
		4755	142,65	
		5055	151,65	
		6000	180,00	
		6255	187,65	
		6500	390,00	60

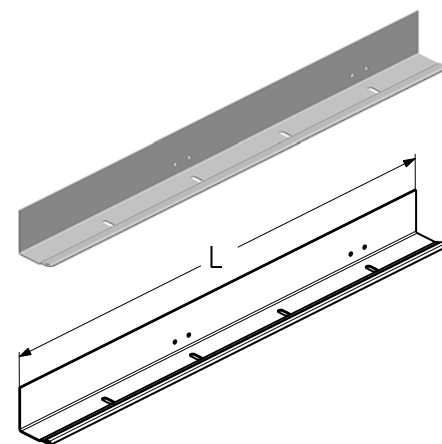


Профиль угловой

Предназначен для изготовления вертикальных направляющих.
Используется в промышленных воротах стандартного, высокого с верхним и нижним расположением вала, вертикального с верхним и нижним расположением вала типах монтажа при ширине и/или высоте ворот до 4500 мм.

Толщина (S), мм 1,5
Материал оцинкованная сталь
Вес, кг/м 2,04
Единица измерения м

Артикул	Код	Длина, мм	Норма поставки, м	Норма поставки, шт.
PRG02H	402022800	3355	100,65	30
		3855	115,65	
		4255	127,65	
		4555	136,65	
		4755	142,65	
		5500	165,00	



ПРОФИЛИ УГЛОВЫЕ

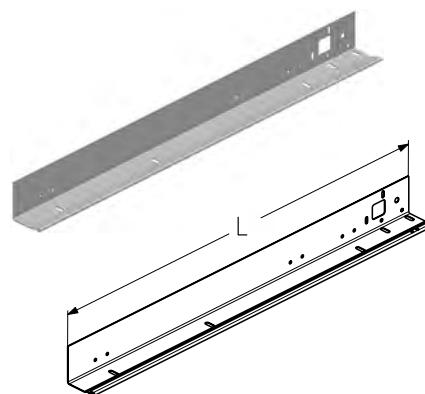
ДЛЯ ПРОМЫШЛЕННЫХ ВОРОТ

Профиль угловой

Предназначен для изготовления вертикальных направляющих.
Используется в промышленных воротах низкого типа монтажа.

Толщина (S), мм 2,0
Материал оцинкованная сталь
Вес, кг/м 2,74
Единица измерения м

Артикул	Код	Применение	Длина (L), мм	Норма поставки	
				м	шт.
PRG01LL	402032100	Левый	3355	50,33	15
			4155	62,33	
			4555	68,33	
			6000	90,00	
PRG01LR	402032200	Правый	3355	50,33	
			4155	62,33	
			4555	68,33	
			6000	90,00	

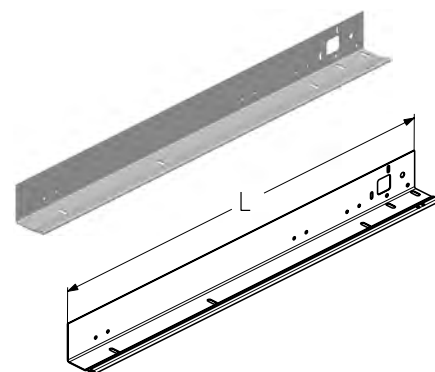


Профиль угловой

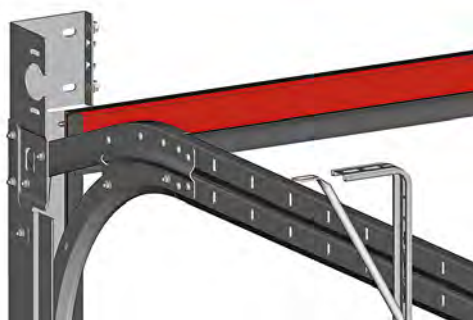
Предназначен для изготовления вертикальных направляющих.
Используется в промышленных воротах наклонного низкого типа монтажа.

Толщина (S), мм 2,0
Материал оцинкованная сталь
Вес, кг/м 2,74
Единица измерения м

Артикул	Код	Применение	Длина (L), мм	Норма поставки	
				м	шт.
PRG01LFL	402032300	Левый	3355	50,33	15
			4155	62,33	
			4555	68,33	
			6000	90,00	
PRG01LFR	402032400	Правый	3355	50,33	
			4155	62,33	
			4555	68,33	
			6000	90,00	



ПРОФИЛИ ПЕРЕДНИЕ



Профиль передний (PRG-35)

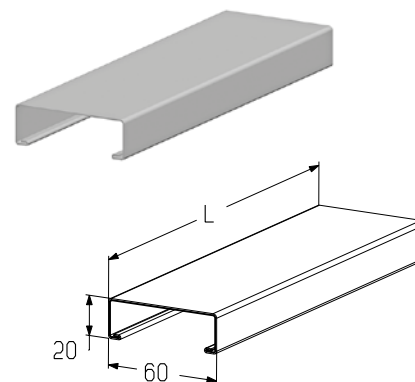


Профиль передний (PRG05S)

Профиль передний (нащельник)

Предназначен для соединения профилей угловых и для крепления вставки уплотнительной (RST-13T).
Используется в гаражных воротах с пружинами растяжения и торсионными пружинами стандартного и низкого типов монтажа.

Толщина (S), мм	0,8
Материал	оцинкованная сталь
Покрытие	полимерное
Цвет	белый (близкий RAL 9016)
Вес, кг/м	0,72
Единица измерения	м

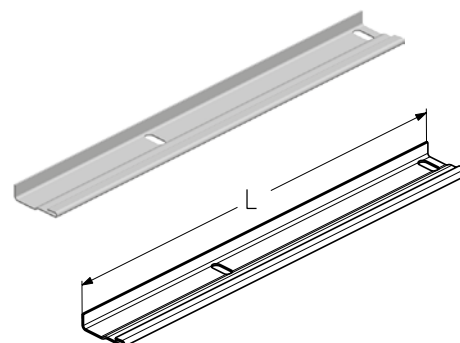


Артикул	Код	Длина (L), мм	Норма поставки	
			м	шт.
PRG-35	402450112	5600	280,00	50
		6860	343,00	

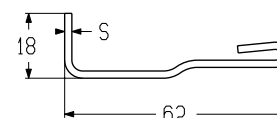
Профиль передний (нащельник)

Предназначен для соединения профилей угловых и для крепления вставки уплотнительной (IS85).
Используется в промышленных воротах низкого, низкого с передним расположением вала, низкого с передним расположением вала (тип 2) и наклонного низкого типов монтажа.

Толщина (S), мм	1,2
Материал	оцинкованная сталь
Вес, кг/м	0,83
Единица измерения	м



Артикул	Код	Длина (L), мм	Норма поставки	
			м	шт.
PRG05S	402431000	5600	336,00	60
		6860	411,6	



ВСТАВКА УПЛОТНИТЕЛЬНАЯ

ДЛЯ ГАРАЖНЫХ ВОРОТ



Вставка уплотнительная (RSS-15T)



Вставка уплотнительная (RST-13T)

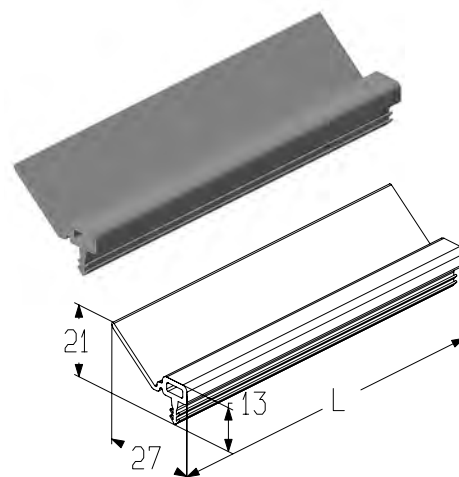
Вставка уплотнительная

Предназначена для герметизации проема.

Устанавливается совместно с профилем угловым (**PRG-30L/R**) в гаражных воротах с пружинами растяжения и торсионными пружинами всех типов монтажа.

Материал	R.PVH/TPE
Вес, кг/м	0,11
Единица измерения	м
Норма поставки, м	170

Артикул	Код
RSS-15T	417500249



Вставка уплотнительная

Предназначена для герметизации проема.

Устанавливается совместно с профилем передним (**PRG-35**) в гаражных воротах с пружинами растяжения и торсионными пружинами стандартного и низкого типов монтажа.

Материал	EPDM
Вес, кг/м	0,12
Единица измерения	м
Норма поставки, м	100

Артикул	Код
RST-13T	401541000



ВСТАВКА УПЛОТНИТЕЛЬНАЯ

ДЛЯ ПРОМЫШЛЕННЫХ ВОРОТ

**Вставка уплотнительная**

Предназначена для герметизации проема.

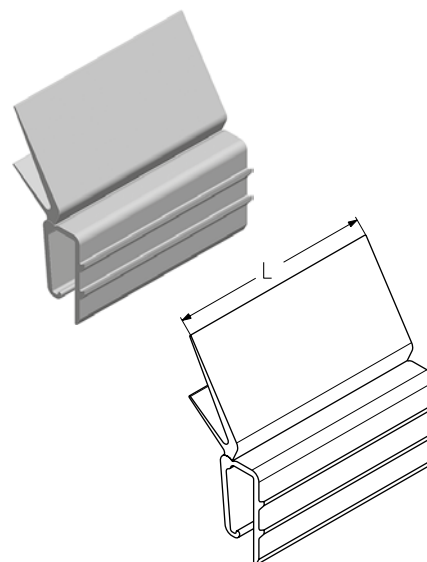
Устанавливается:

- совместно с профилем передним в промышленных воротах низкого, низкого с передним расположением вала, низкого с передним расположением вала (тип 2) и наклонного низкого типов монтажа;
- совместно с профилем угловым в промышленных воротах всех типов монтажа.

Материал PVC и TPR

Вес, кг/м 0,20

Единица измерения м



Артикул	Код	Длина (L), мм	Норма поставки	
			м	шт.
IS85-2550	401540600	2550	25,50	10
IS85-3060	401540100	3060	30,60	
IS85-3550	401540700	3550	35,50	
IS85-4100	401541200	4100	41,00	
IS85-4580	401541300	4580	45,80	
IS85-6000	401541300	6000	60,00	
IS85-7000	401540800	7000	70,00	
IS85-8000	401540900	8000	80,00	

ПРОФИЛЬ НАПРАВЛЯЮЩИЙ

ДЛЯ ГАРАЖНЫХ ВОРОТ



Профиль направляющий (PRG31)

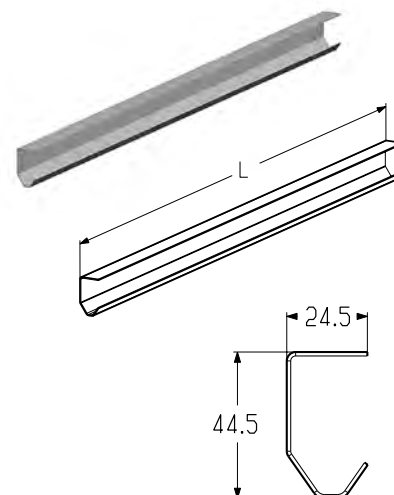


Профиль направляющий (PRG32)

Профиль направляющий (вертикальный)

Предназначен для создания траектории движения полотна ворот в вертикальной плоскости. Устанавливается совместно с профилем угловым (PRG30L/R). Используется в гаражных воротах с пружинами растяжения и торсионными пружинами всех типов монтажа.

Толщина (S), мм 1,2
 Материал оцинкованная сталь
 Вес, кг/м 0,83
 Единица измерения м

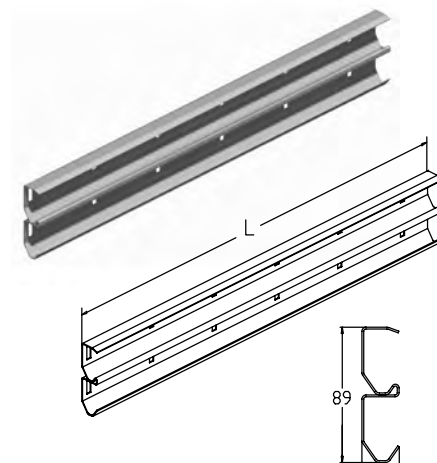


Артикул	Код	Длина (L), мм	Норма поставки	
			м	шт.
PRG-31	402112600	1672	167,20	100
		1797	179,70	
		1922	192,20	
		2047	204,70	
		2172	217,20	
		2272	227,20	
		2485	248,50	
		2850	285,00	
		3400	340,00	
		4175	417,50	

Профиль направляющий (горизонтальный)

Предназначен для создания траектории движения полотна ворот в горизонтальной плоскости. Используется в гаражных воротах с пружинами растяжения и торсионными пружинами всех типов монтажа.

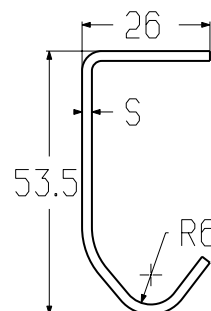
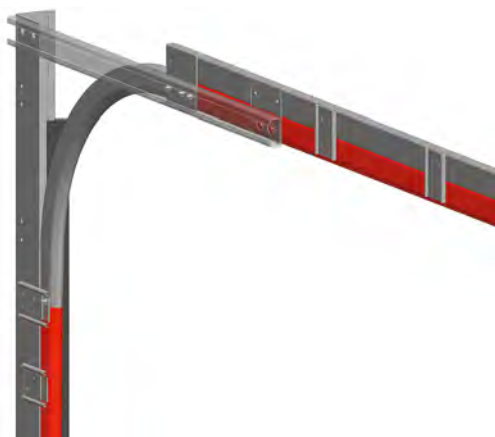
Толщина (S), мм 1,2
 Материал оцинкованная сталь
 Вес, кг/м 1,65
 Единица измерения м



Артикул	Код	Длина (L), мм	Норма поставки				
			м	шт.			
PRG-32	402112700	1920	96,00	50			
		2120	106,00				
		2220	111,00				
		2320	116,00				
		2520	126,00				
		2720	136,00				
		3020	151,00				
		3120	156,00				
		3220	161,00				
					3520	176,00	

ПРОФИЛЬ НАПРАВЛЯЮЩИЙ

ДЛЯ ПРОМЫШЛЕННЫХ ВОРОТ

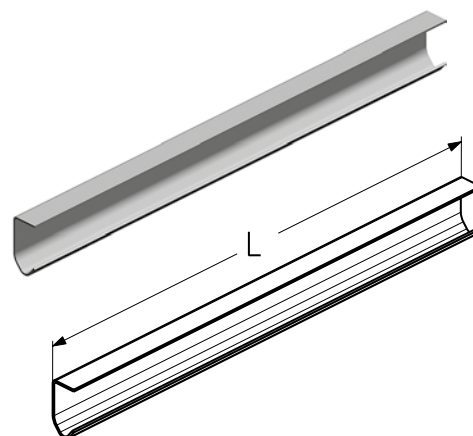


Профиль направляющий

Предназначен для создания траектории движения полотна ворот. Устанавливается совместно с профилем угловым (PRG01).

Используется в промышленных воротах всех типов монтажа.

Толщина (S), мм 2,0
 Материал оцинкованная сталь
 Вес, кг/м 1,44
 Единица измерения м

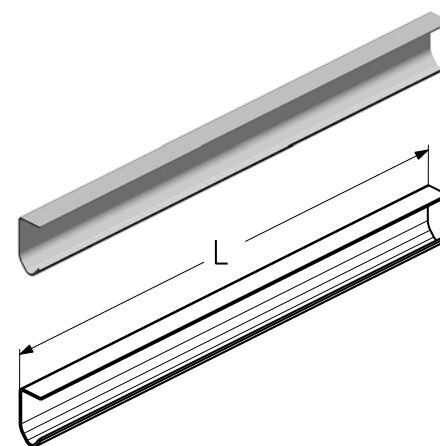


Артикул	Код	Длина, мм	Норма поставки	
			м	шт.
PRG03	402120600	2800	140,00	50
		3500	175,00	
		3760	188,00	
		4060	203,00	
		4350	217,50	
		5000	250,00	
		6000	300,00	
8000	480,00	60		

Профиль направляющий

Предназначен для создания траектории движения полотна ворот. Устанавливается совместно с профилем угловым (PRG02H). Используется в промышленных воротах стандартного, высокого с верхним и нижним расположением вала, вертикального с верхним и нижним расположением вала типах монтажа при ширине и/или высоте ворот до 4500 мм.

Толщина (S), мм 1,5
 Материал оцинкованная сталь
 Вес, кг/м 1,13
 Единица измерения м



Артикул	Код	Длина, мм	Норма поставки, м	Норма поставки, шт.
PRG04	402110800	1795	89,75	50
		1920	96,00	
		2045	102,25	
		2170	108,50	
		2295	114,75	
		2435	121,75	
		2727	136,35	
		2800	140,00	
		2970	148,50	
		3500	175,00	
		4060	203,00	
		4350	217,50	
		5050	252,50	

ЭЛЕМЕНТ РАДИУСНЫЙ



Элемент радиусный гаражных ворот



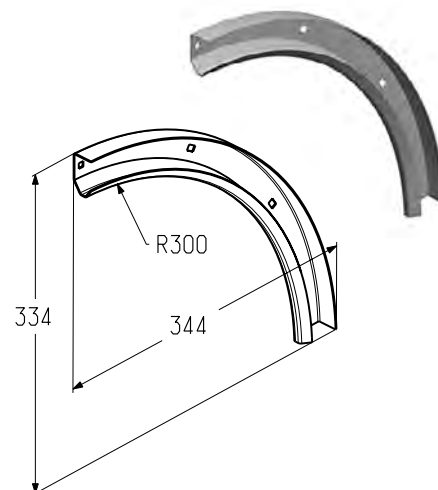
Элемент радиусный промышленных ворот

Элемент радиусный

Предназначен для соединения вертикальной и горизонтальной направляющих. Используется в гаражных воротах с пружинами растяжения и торсионными пружинами всех типов монтажа.

Радиус, мм	300
Толщина, мм	1,2
Материал	оцинкованная сталь
Вес, кг/шт.	0,41
Единица измерения	шт.
Норма поставки, шт.	60

Артикул	Код
RE-801T	402210400

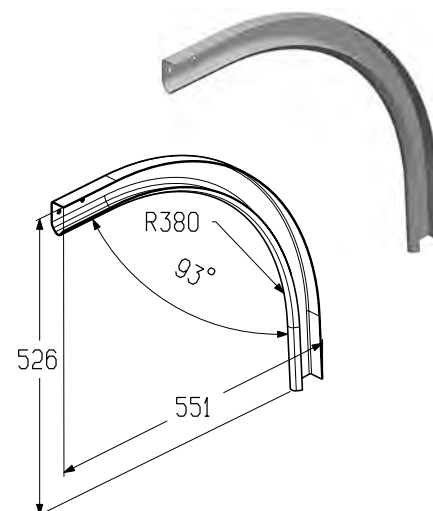


Элемент радиусный левый/правый

Предназначен для соединения вертикальной и горизонтальной направляющих. Используется в промышленных воротах стандартного, высокого с верхним и нижним расположением вала, низкого с передним расположением вала, низкого с передним расположением вала (тип 2) и низкого типов монтажа.

Радиус, мм	380
Толщина (S), мм	2,0
Материал	оцинкованная сталь
Вес, кг/шт.	1,27
Единица измерения	шт.
Норма поставки, шт.	60

Артикул	Код	Применение
RE101L	402230000	Левый
RE101R	402230100	Правый



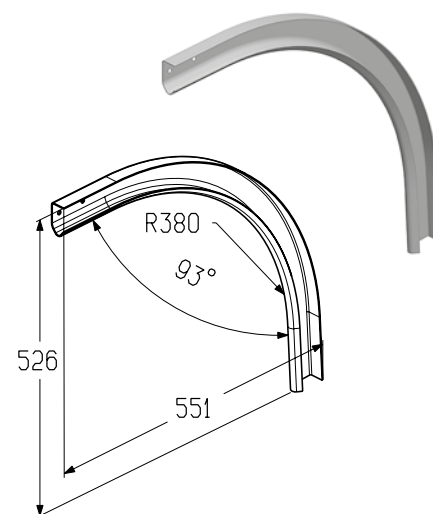
ЭЛЕМЕНТ РАДИУСНЫЙ

Элемент радиусный левый/правый

Предназначен для соединения вертикальной и горизонтальной направляющих.
Используется в промышленных воротах стандартного, высокого с верхним и нижним расположением вала типах монтажа при ширине и/или высоте ворот до 4500 мм.

Радиус, мм	380
Толщина (S), мм	1,5
Материал	оцинкованная сталь
Вес, кг/шт.	0,97
Единица измерения	шт.
Норма поставки, шт.	60

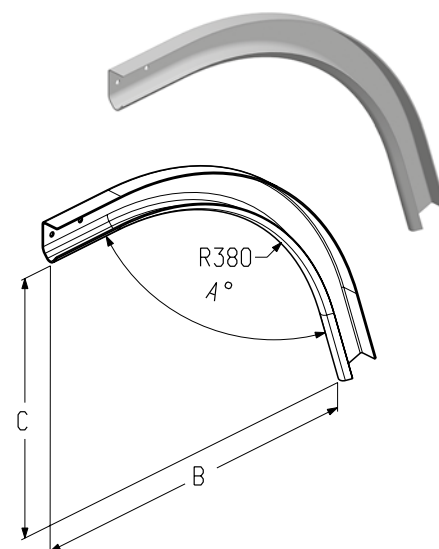
Артикул	Код	Применение
RE-401L	402220400	Левый
RE-401R	402220500	Правый



Элемент радиусный левый/правый

Предназначен для соединения вертикальной и горизонтальной направляющих.
Используется в промышленных воротах наклонного, наклонного высокого с верхним и нижним расположением вала, наклонного низкого типов монтажа.

Радиус, мм	380
Толщина (S), мм	2,0
Материал	оцинкованная сталь
Единица измерения	шт.
Норма поставки, шт.	60



Артикул	Код	Основные размеры			Угол наклона*, град	Вес, кг/шт.	Применение
		А, град	В, мм	С, мм			
RE101FL-5	402230200	97	445		5	1,22	Левый
RE101FR-5	402230300						Правый
RE101FL-10	402230400	102	411		10	1,16	Левый
RE101FR-10	402230500						Правый
RE101FL-15	402230600	107	376		15	1,11	Левый
RE101FR-15	402230700						Правый
RE101FL-20	402230800	112	342		20	1,06	Левый
RE101FR-20	402230900						Правый
RE101FL-25	402231000	117	307		25	1,05	Левый
RE101FR-25	402231100						Правый
RE101FL-30	402231200	122	274		30	0,96	Левый
RE101FR-30	402231300						Правый
RE101FL-35	402231400	128	260		35	1,00	Левый
RE101FR-35	402231500						Правый
RE101FL-40	402231600	133	245		40	1,02	Левый
RE101FR-40	402231700						Правый
RE101FL-45	402231800	138	210	230	45	1,01	Левый
RE101FR-45	402231900						Правый

* Угол наклона горизонтальной направляющей.

УЗЕЛ НАПРАВЛЯЮЩИЙ ПЕРЕДНИЙ

ДЛЯ ГАРАЖНЫХ ВОРОТ



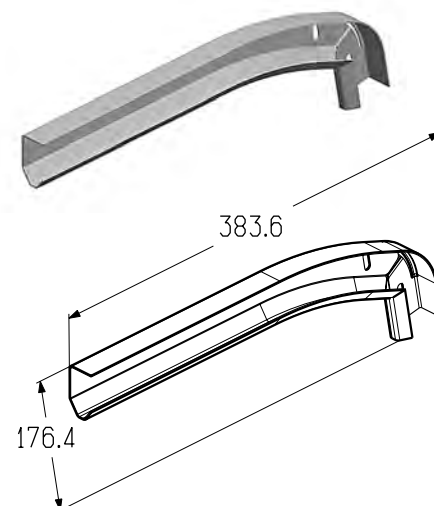
Узел направляющий передний

Предназначен для создания траектории движения верхней панели полотна ворот совместно с профилем направляющим (**PRG-31, PRG-32**).

Используется в гаражных воротах с пружинами растяжения и торсионными пружинами низкого типа монтажа.

Толщина, мм 1,2
 Материал оцинкованная сталь
 Единица измерения шт.
 Норма поставки, шт. 60

Артикул	Код	Применение
S-3505LL	402310400	Левый
S-3505LR	402310500	Правый



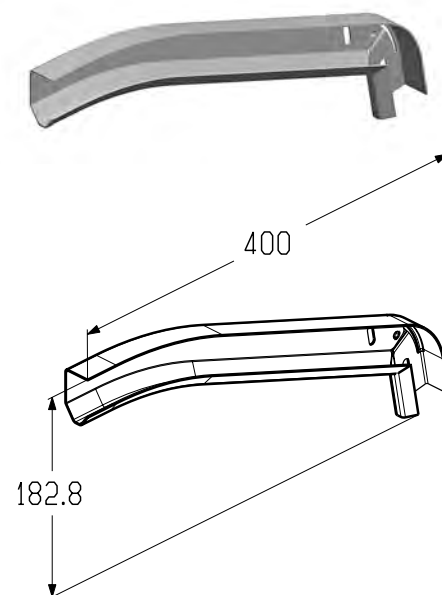
Узел направляющий передний

Предназначен для создания траектории движения верхней панели полотна ворот совместно с профилем направляющим (**PRG-31, PRG-32**).

Используется в гаражных воротах с торсионными пружинами стандартного типа монтажа.

Толщина, мм 1,2
 Материал оцинкованная сталь
 Единица измерения шт.
 Норма поставки, шт. 60

Артикул	Код	Применение
S-3506NL	402310600	Левый
S-3506NR	402310700	Правый



УЗЕЛ НАПРАВЛЯЮЩИЙ ПЕРЕДНИЙ

ДЛЯ ПРОМЫШЛЕННЫХ ВОРОТ

Узел направляющий передний левый/правый

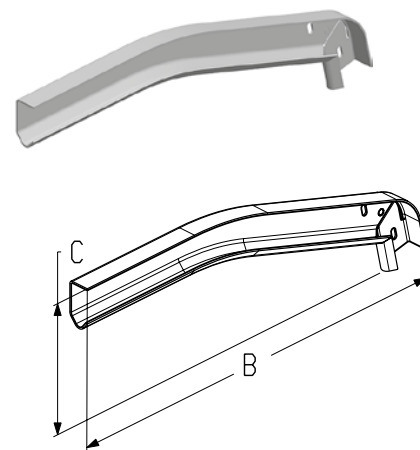
Предназначен для создания траектории движения верхней панели полотна ворот совместно с профилем направляющим (PRG03).

Используется в промышленных воротах наклонного низкого типа монтажа, низкого с передним расположением вала и низкого с передним расположением вала (тип 2) — S-160LNL, S-160LNR.

Толщина (S), мм 2,0
 Материал оцинкованная сталь
 Единица измерения шт.
 Норма поставки, шт. 60



Артикул	Код	Основные размеры, мм		Угол наклона*, град	Вес, кг/шт.	Применение
		B	C			
S140LFL-5	402330200	559	237	5	0,87	Левый
S140LFR-5	402330300					Правый
S140LFL-10	402330400	543	201	10	0,81	Левый
S140LFR-10	402330500					Правый
S140LFL-15	402330600	506	168	15	0,76	Левый
S140LFR-15	402330700					Правый
S140LFL-20	402330800	473	139	20	0,71	Левый
S140LFR-20	402330900					Правый
S140LFL-25	402331000	441	111	25	0,69	Левый
S140LFR-25	402331100					Правый
S140LFL-30	402331200	409		30	0,65	Левый
S140LFR-30	402331300					Правый
S140LFL-35	402331600	427	86	35	0,65	Левый
S140LFR-35	402331700					Правый
S140LFL-40	402331800	407		40	0,62	Левый
S140LFR-40	402331900					Правый
S140LFL-45	402332000	407		45	0,62	Левый
S140LFR-45	402332100					Правый
S-160LNL	402332300	636	137	20	0,94	Левый
S-160LNR	402332200					Правый



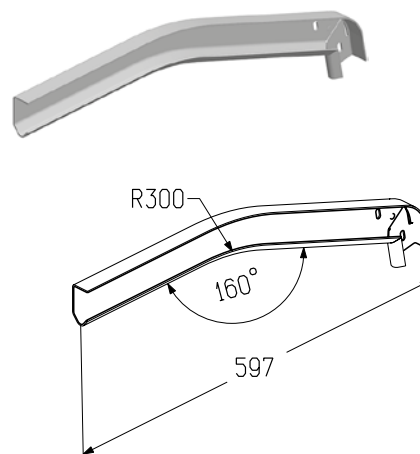
Узел направляющий передний левый/правый

Предназначен для создания траектории движения верхней панели полотна ворот совместно с профилем направляющим (PRG03).

Используется в промышленных воротах низкого типа монтажа.

Толщина (S), мм 2,0
 Материал оцинкованная сталь
 Вес, кг/шт. 0,88
 Единица измерения шт.
 Норма поставки, шт. 60

Артикул	Код	Применение
S140LL	402330000	Левый
S140LR	402330100	Правый



* Угол наклона горизонтальной направляющей.

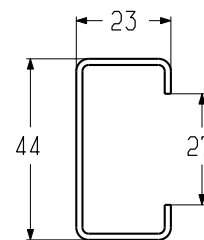
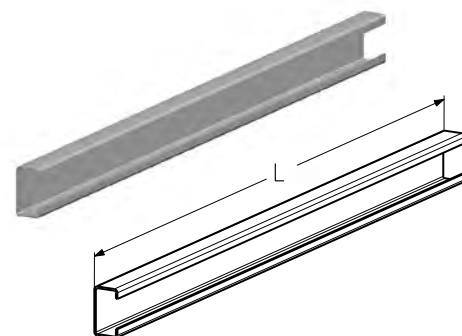
ПРОФИЛИ НАПРАВЛЯЮЩИЕ

С-профиль

Предназначен для изготовления мерной планки.

Используется в гаражных воротах с пружинами растяжения и торсионными пружинами всех типов монтажа.

Толщина, мм 1,5
 Материал оцинкованная сталь
 Вес, кг/м 1,13
 Единица измерения м



Артикул	Код	Длина (L), мм	Норма поставки	
			м	шт.
PRG-33	402480300	5600	280	50
		6860	343	

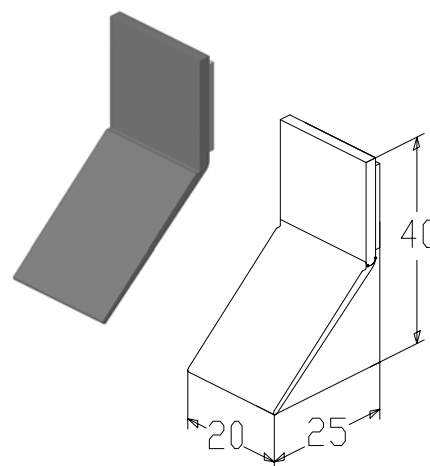
УГОЛОК

**Уголок**

Применяется в гаражных воротах высокого типа монтажа для улучшения герметизации проема.

Материал ПВХ
 Цвет черный
 Вес, кг/шт. 0,003
 Единица измерения шт.
 Норма поставки, шт. 10000

Артикул	Код
V-3600TH	418700052



1.1

1.2

1.3

1.4

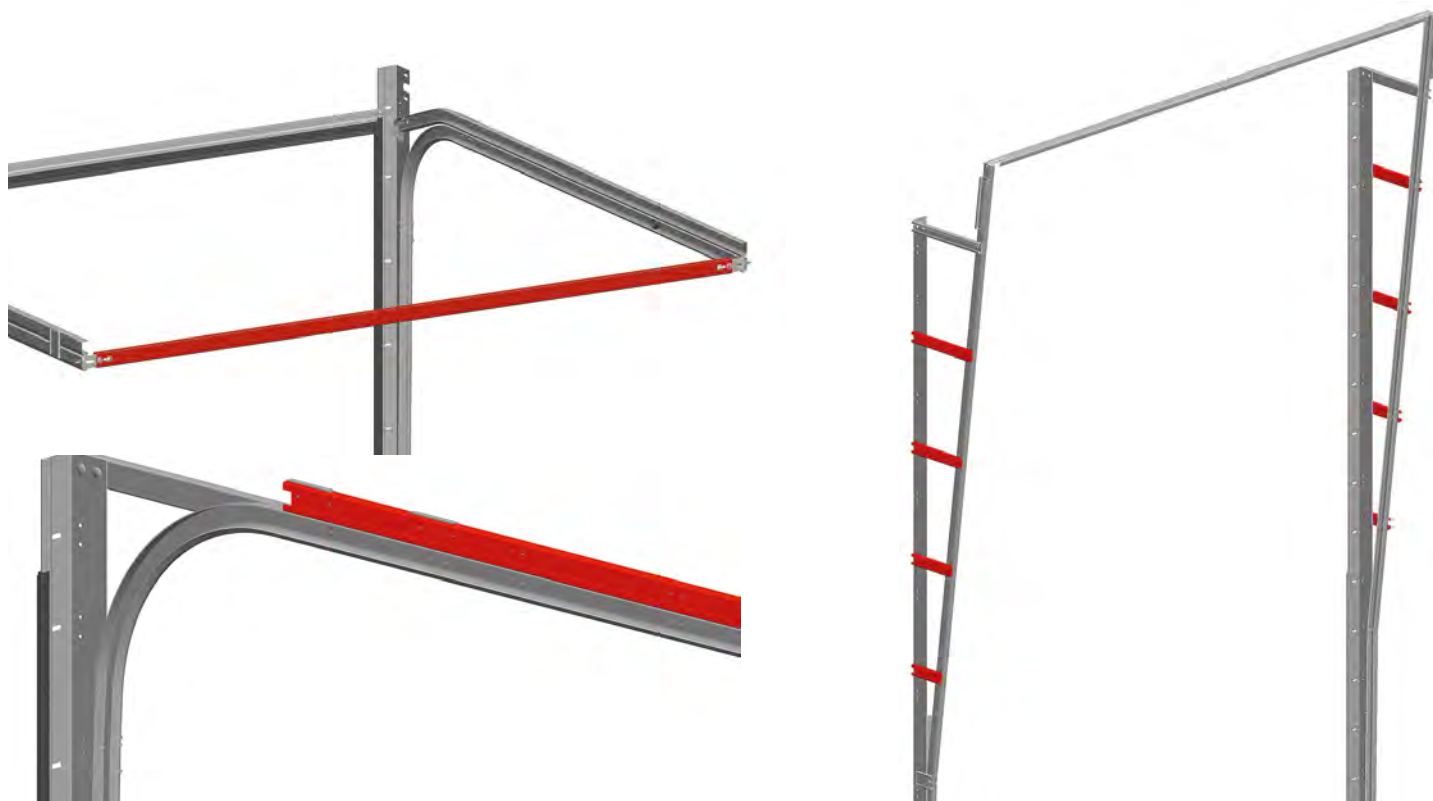
1.5

2

3

4

С-ПРОФИЛЬ

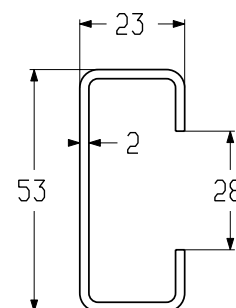
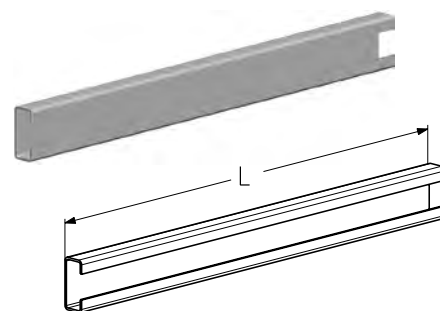


С-профиль

Предназначен для:

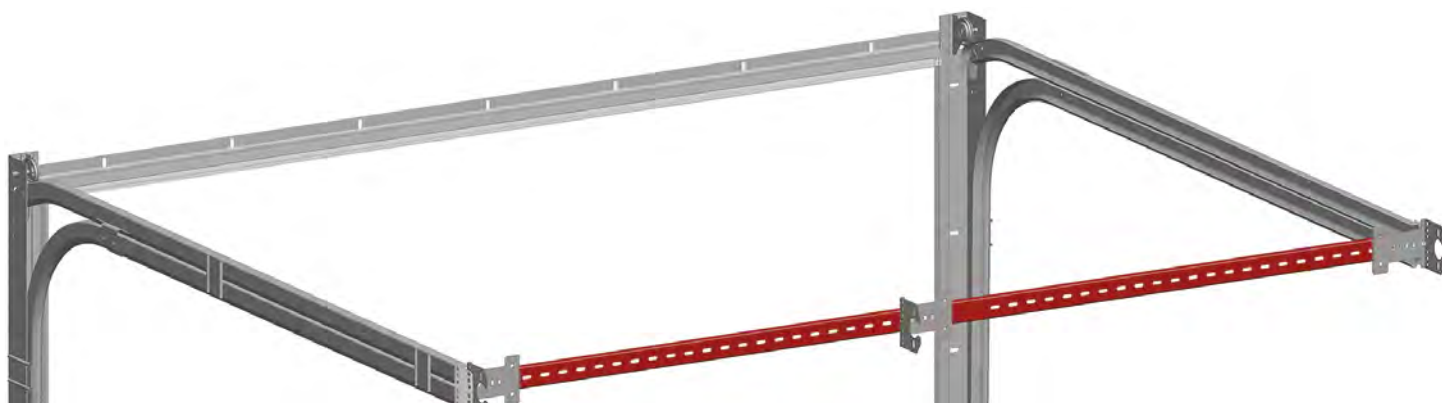
- изготовления мерной планки в промышленных воротах всех типов монтажа, кроме низкого и наклонного низкого.
- усиления горизонтальной направляющей в промышленных воротах всех типов монтажа, кроме низкого и наклонного низкого.
- соединения профиля углового и профиля направляющего в промышленных воротах вертикального типа монтажа с верхним расположением вала.

Толщина, мм 2,0
 Материал оцинкованная сталь
 Вес, кг/м 1,74
 Единица измерения м



Артикул	Код	Длина (L), мм	Норма поставки	
			м	шт.
PRG07N	402421600	3040	152,00	50
		3240	162,00	
		3540	177,00	
		4040	202,00	
		4540	227,00	
		5106	255,30	
		5600	280,00	
		6000	300,00	
		6860	343,00	
		10040	301,20	

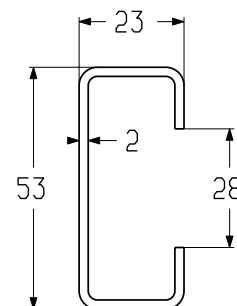
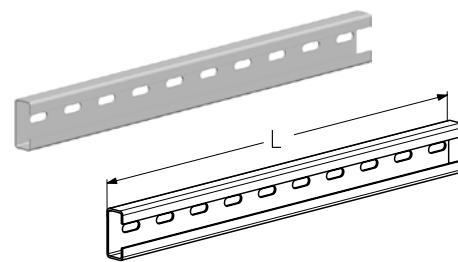
С-ПРОФИЛЬ (МЕРНАЯ ПЛАНКА)



С-профиль

Перфорированный, предназначен для изготовления мерной планки.
Используется в промышленных воротах низкого и наклонного низкого типов монтажа.

Толщина, мм 2,0
 Материал оцинкованная сталь
 Вес, кг/м 1,67
 Единица измерения м



Артикул	Код	Длина (L), мм	Норма поставки	
			м	шт.
PRG07	402421500	6000	300	50

1.1

1.2

1.3

1.4

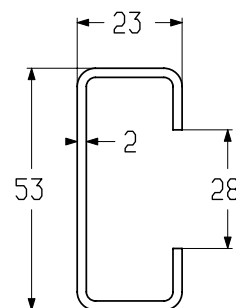
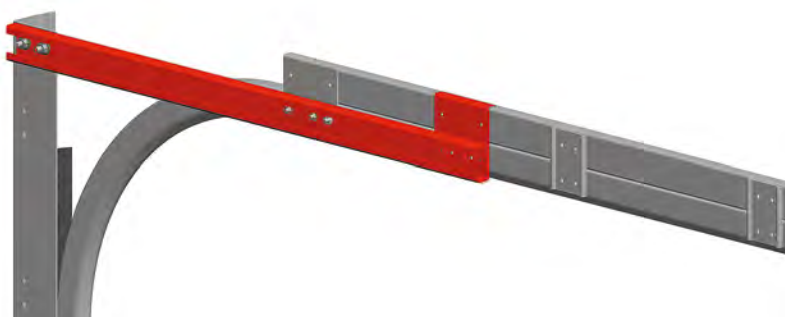
1.5

2

3

4

УЗЕЛ ПЕРЕДНИЙ

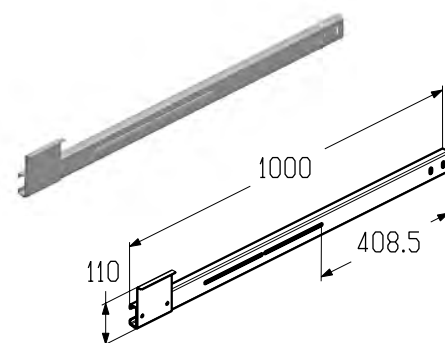


Узел передний левый/правый

Предназначен для соединения профиля углового с горизонтальной направляющей.
Используется в промышленных воротах стандартного и высокого с верхним и нижним расположением вала типов монтажа.

Материал оцинкованная сталь
Вес, кг/шт. 1,89
Единица измерения шт.
Норма поставки, шт. 100

Артикул	Код	Применение
S-171L	402500300	Левый
S-171R	402500400	Правый



Узел передний левый/правый

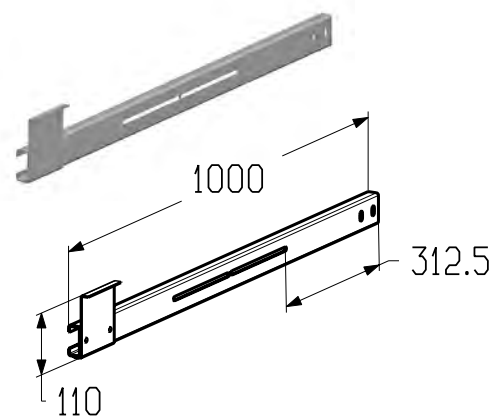
Предназначен для соединения профиля углового с горизонтальной направляющей.

Используется в промышленных воротах следующих типов монтажа:

- наклонного,
- наклонного высокого с верхним и нижним расположением вала,
- высокого с верхним и нижним расположением вала.

Материал оцинкованная сталь
Вес, кг/шт. 1,84
Единица измерения шт.
Норма поставки, шт. 100

Артикул	Код	Применение
S-172L	402500500	Левый
S-172R	402500600	Правый



КРОНШТЕЙН СОЕДИНИТЕЛЬНЫЙ

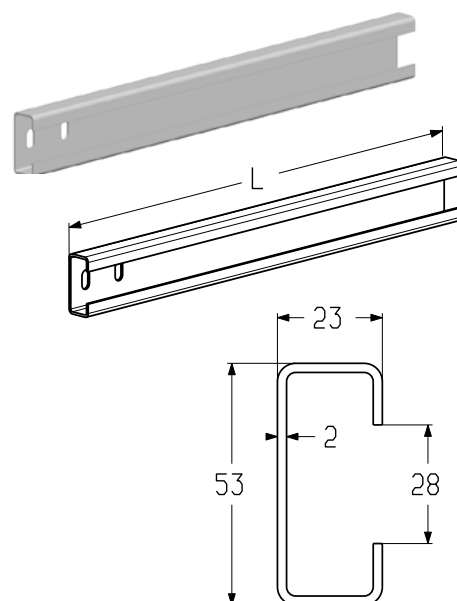


Кронштейн соединительный

Предназначен для соединения профиля углового и профиля направляющего.
Используется в промышленных воротах вертикального типа монтажа с верхним расположением вала.

Материал оцинкованная сталь
Единица измерения шт.
Норма поставки, шт. 100

Артикул	Код	Длина (L), мм	Вес, кг/шт.
СВ132-450	402600000	450	0,75
СВ132-500	402600100	500	0,83



1.1

1.2

1.3

1.4

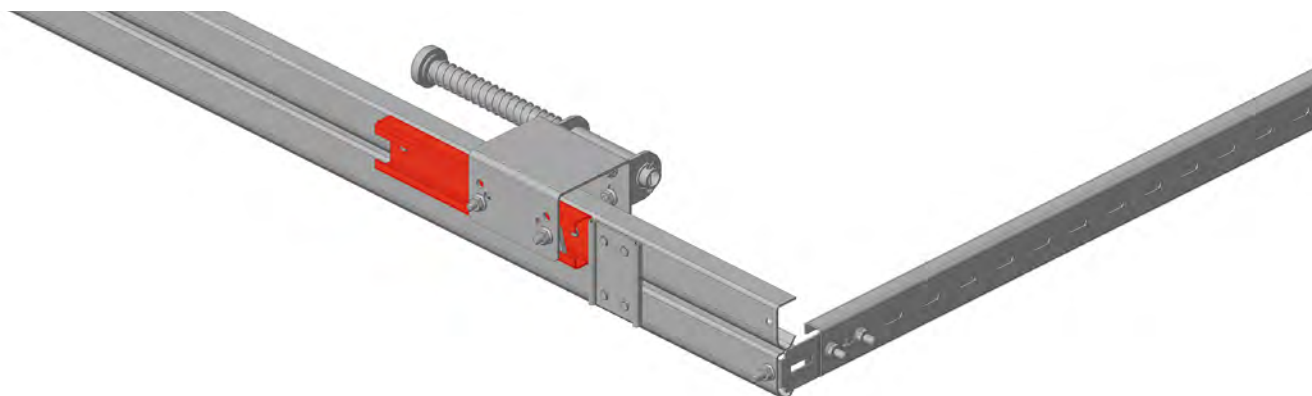
1.5

2

3

4

КРОНШТЕЙН



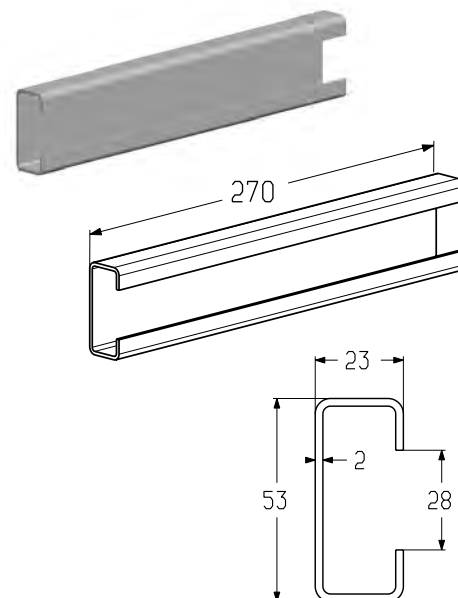
Кронштейн

Предназначен для установки демпферов.

Используется:

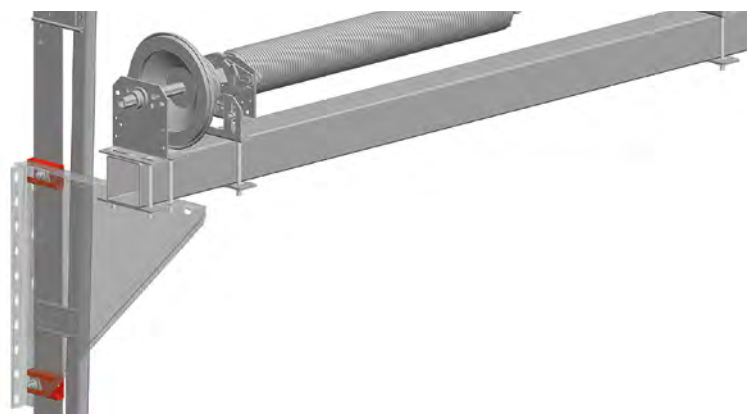
- в гаражных воротах высокого типа монтажа;
- в промышленных воротах вертикального типа монтажа с верхним и нижним расположением вала, низкого и наклонного низкого типов монтажа.

Материал Оцинкованная сталь
 Вес, кг/шт. 0,29
 Единица измерения шт.
 Норма поставки, шт. 50



Артикул	Код
V134	402600200

КРОНШТЕЙН

**Кронштейн**

Предназначен для установки кронштейна (TP-550).

Используется в промышленных воротах высокого, вертикального, наклонного высокого типов монтажа с нижним расположением вала.

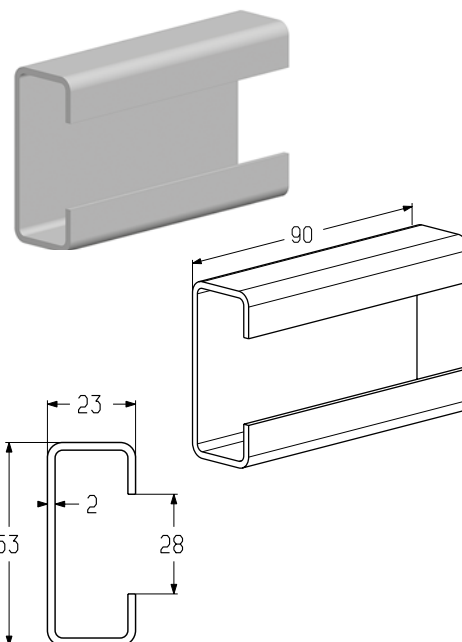
Материал Оцинкованная сталь

Вес, кг/шт. 0,15

Единица измерения шт.

Норма поставки, шт. 150

Артикул	Код
V133	402600300



1.1

1.2

1.3

1.4

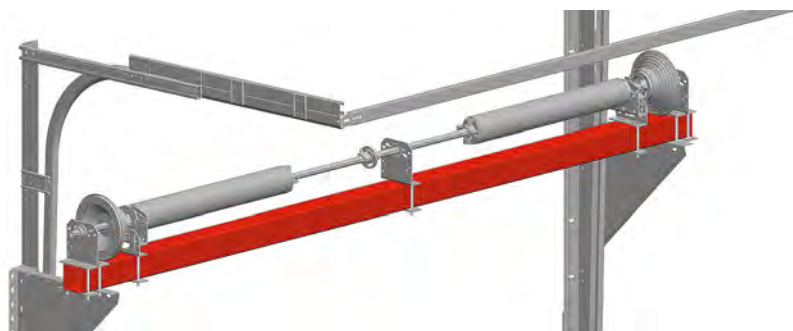
1.5

2

3

4

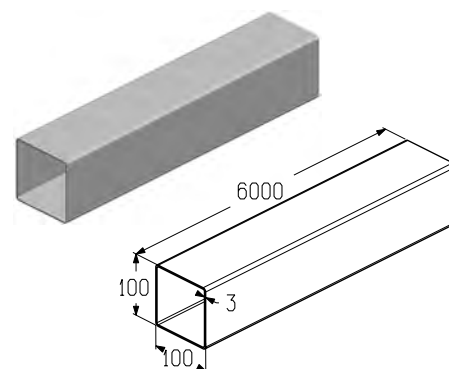
ПРОФИЛЬ НЕСУЩИЙ



Профиль несущий

Предназначен для установки торсионного вала.
Используется в промышленных воротах высокого, вертикального, наклонного высокого типов монтажа с нижним расположением вала.

Материал оцинкованная сталь
Вес, кг/м 9,00
Единица измерения м



Артикул	Код	Норма поставки	
		м	шт.
T-100-6000	402440000	54	9

КРОНШТЕЙНЫ И ПЛАСТИНЫ СОЕДИНИТЕЛЬНЫЕ

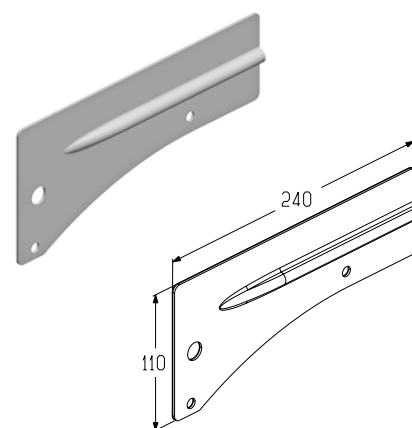
УСТАНОВКА ПЛАСТИН СОЕДИНИТЕЛЬНЫХ

**Пластина соединительная**

Предназначена для соединения горизонтальной направляющей с элементом радиусным и узлом направляющим передним.
Используется в гаражных воротах с торсионными пружинами высокого типа монтажа и пружинами растяжения.

Материал оцинкованная сталь
Вес, кг/шт. 0,33
Единица измерения шт.
Норма поставки, шт. 60

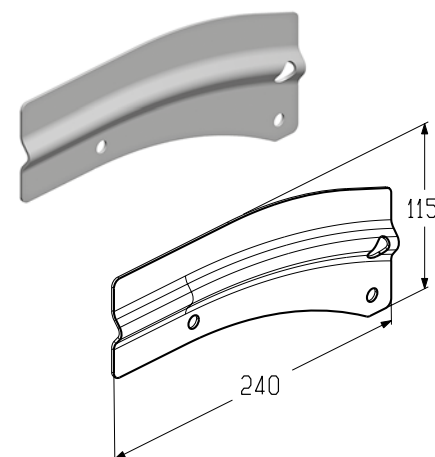
Артикул	Код	Применение
CP-3502L	402812100	Левая
CP-3502R	402812000	Правая

**Пластина соединительная**

Предназначена для соединения горизонтальной направляющей с элементом радиусным и узлом направляющим передним.
Используется в гаражных воротах с торсионными пружинами стандартного типа монтажа.

Материал оцинкованная сталь
Вес, кг/шт. 0,30
Единица измерения шт.
Норма поставки, шт. 80

Артикул	Код	Применение
CP-3504NL	402812500	Левая
CP-3504NR	402812400	Правая



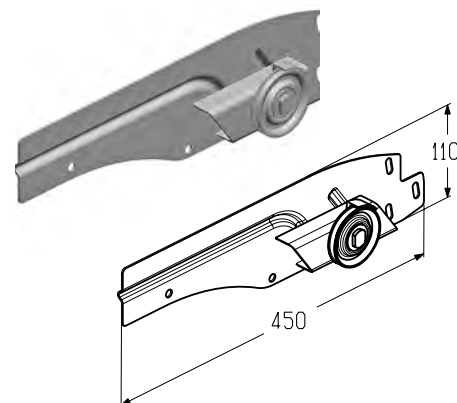
КРОНШТЕЙНЫ И ПЛАСТИНЫ СОЕДИНИТЕЛЬНЫЕ

Пластина соединительная

Предназначена для соединения горизонтальной направляющей с элементом радиусным и узлом направляющим передним.

Используется в гаражных воротах с торсионными пружинами низкого типа монтажа.

Материал оцинкованная сталь
 Вес, кг/шт. 0,93
 Единица измерения шт.
 Норма поставки, шт. 20



Артикул	Код	Применение
CP-3503LL	40281 2300	Левая
CP-3503LR	40281 2200	Правая

КРОНШТЕЙНЫ И ПЛАСТИНЫ СОЕДИНИТЕЛЬНЫЕ

УСТАНОВКА КРОНШТЕЙНА



Кронштейн (B-180TL/R)



Кронштейн (B-180TNL/R)

Кронштейн

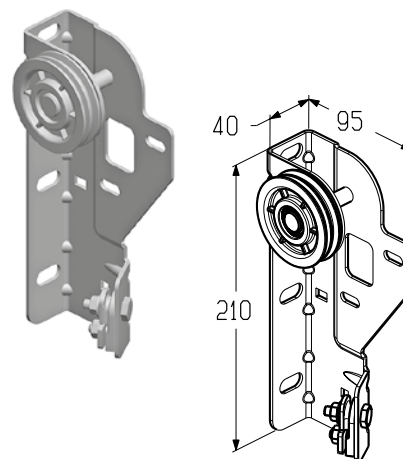
Предназначен для:

- крепления узла направляющего переднего;
- крепления троса.

Используется в гаражных воротах с пружинами растяжения.

Материал оцинкованная сталь
 Вес, кг/шт. 0,63
 Единица измерения шт.
 Норма поставки, шт. 30

Артикул	Код	Применение
B-180TL	402630300	Левый
B-180TR	402630400	Правый

**Кронштейн**

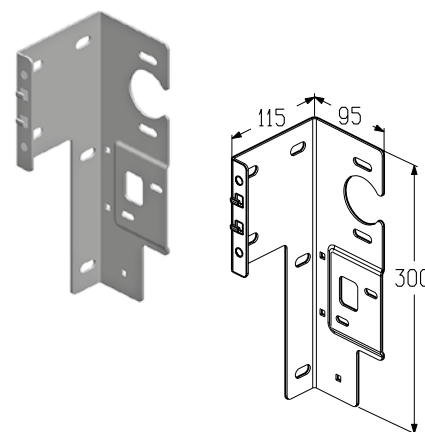
Предназначен для:

- крепления узла направляющего переднего;
- монтажа торсионного вала.

Используется в гаражных воротах с торсионными пружинами стандартного типа монтажа.

Материал оцинкованная сталь
 Вес, кг/шт. 0,89
 Единица измерения шт.
 Норма поставки, шт. 20

Артикул	Код	Применение
B-180TNL	402630700	Левый
B-180TNR	402630800	Правый



КРОНШТЕЙНЫ И ПЛАСТИНЫ СОЕДИНИТЕЛЬНЫЕ

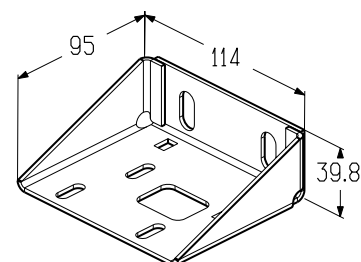
УСТАНОВКА КРОНШТЕЙНА



Кронштейн

Предназначен для крепления узла направляющего переднего.
Используется в гаражных воротах с торсионными пружинами низкого типа монтажа.

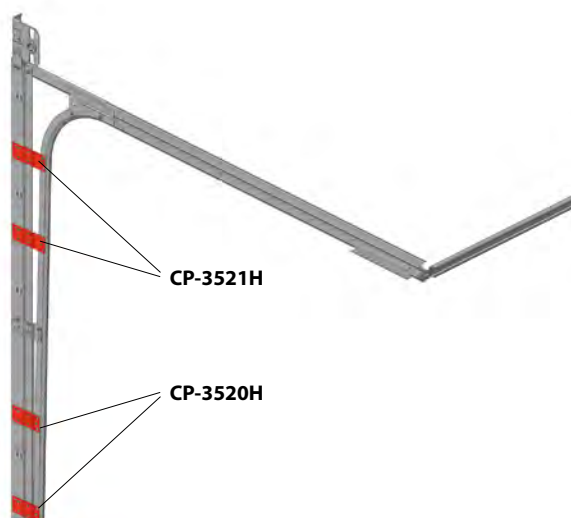
Материал оцинкованная сталь
Вес, кг/шт. 0,23
Единица измерения шт.
Норма поставки, шт. 60



Артикул	Код	Применение
B-180TLL	402630500	Левый
B-180TLR	402630600	Правый

КРОНШТЕЙНЫ И ПЛАСТИНЫ СОЕДИНИТЕЛЬНЫЕ

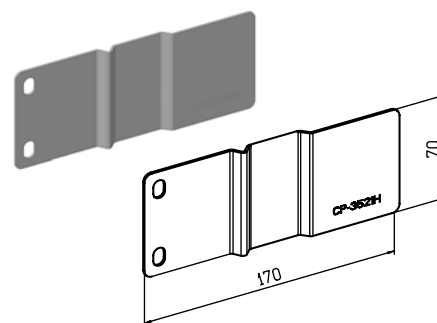
УСТАНОВКА ПЛАСТИНЫ СОЕДИНИТЕЛЬНОЙ

**Пластина соединительная**

Предназначена для соединения профиля углового с профилем направляющим (вертикальным).
Используется в гаражных воротах высокого типа монтажа.

Материал оцинкованная сталь
Вес, кг/шт. 0,12
Единица измерения шт.
Норма поставки, шт. 80

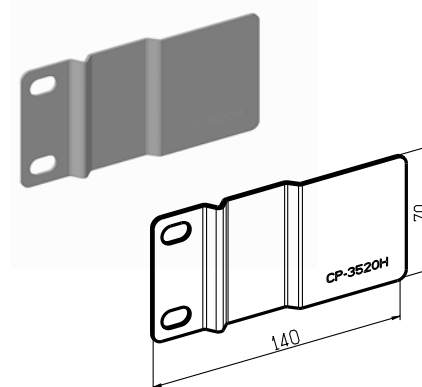
Артикул	Код
CP-3521H	402812800

**Пластина соединительная**

Предназначена для соединения профиля углового с профилем направляющим (вертикальным).
Используется в гаражных воротах высокого типа монтажа.

Материал оцинкованная сталь
Вес, кг/шт. 0,12
Единица измерения шт.
Норма поставки, шт. 100

Артикул	Код
CP-3520H	402812700



1.1

1.2

1.3

1.4

1.5

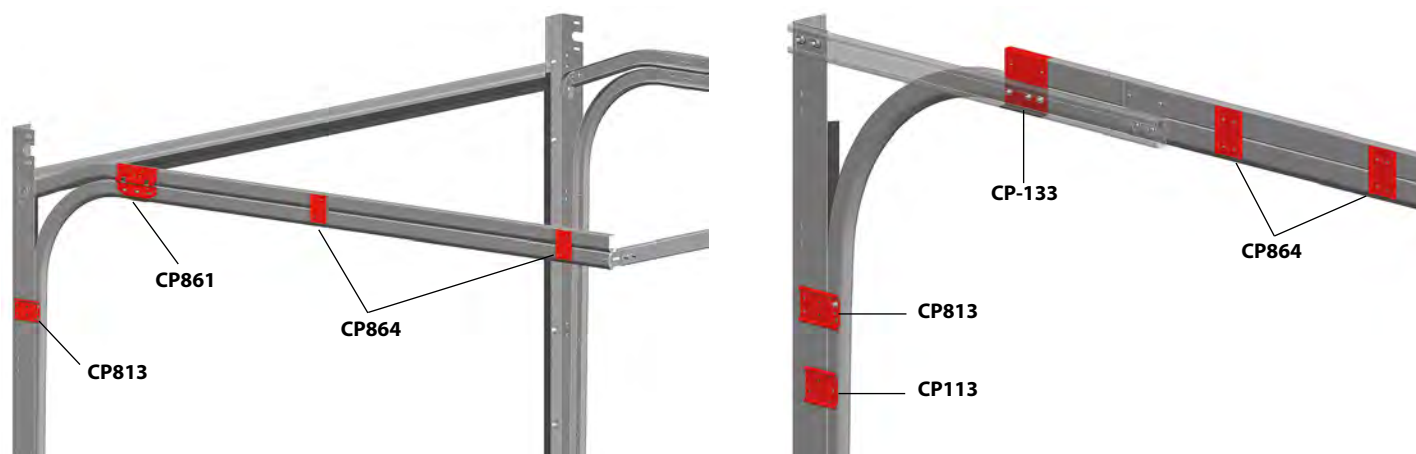
2

3

4

КРОНШТЕЙНЫ И ПЛАСТИНЫ СОЕДИНИТЕЛЬНЫЕ

УСТАНОВКА ПЛАСТИНЫ СОЕДИНИТЕЛЬНОЙ

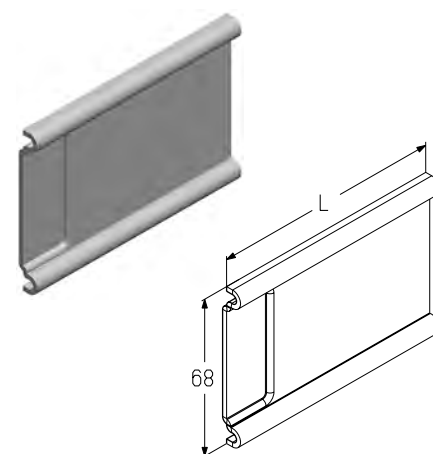


Пластина соединительная

Предназначена для соединения профиля углового с профилем направляющим (вертикальным).
Используется в промышленных воротах всех типов монтажа.

Материал оцинкованная сталь
Единица измерения шт.

Артикул	Код	Длина (L), мм	Вес, кг/шт.	Норма поставки, шт.
CP113-80	402810100	80	0,10	200
CP113-100	402810200	100	0,12	200
CP113-120	402810300	120	0,14	170
CP113-130	402810400	130	0,16	120
CP113-150	402810500	150	0,18	120
CP113-180	402810600	180	0,22	110

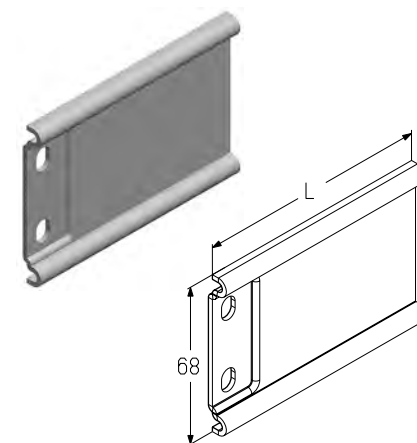


Пластина соединительная

Предназначена для соединения профиля углового с профилем направляющим (вертикальным).
Используется в промышленных воротах всех типов монтажа.

Материал оцинкованная сталь
Единица измерения шт.

Артикул	Код	Длина (L), мм	Вес, кг/шт.	Норма поставки, шт.
CP813-100	402810700	100	0,12	220
CP813-120	402810800	120	0,14	170
CP813-150	402810900	150	0,18	120
CP813-180	402811000	180	0,21	110



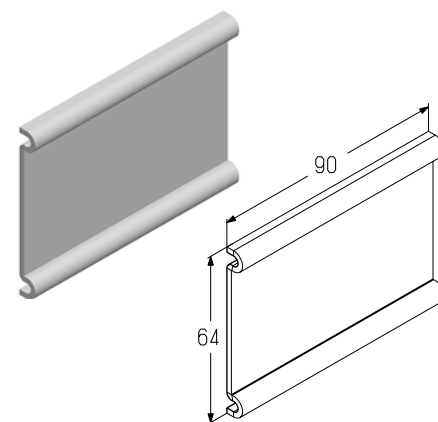
КРОНШТЕЙНЫ И ПЛАСТИНЫ СОЕДИНИТЕЛЬНЫЕ

Пластина соединительная

Предназначена для соединения горизонтальных направляющих.
Используется в промышленных воротах всех типов монтажа.

Материал оцинкованная сталь
Вес, кг/шт. 0,11
Единица измерения шт.
Норма поставки, шт. 170

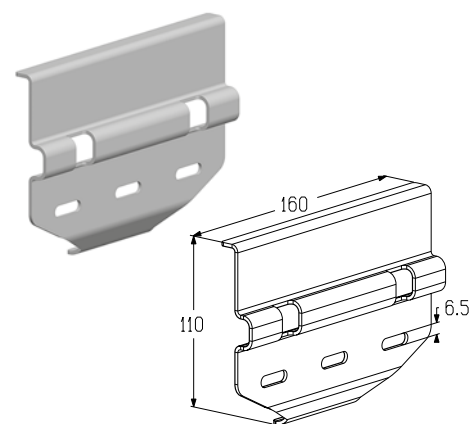
Артикул	Код
CP864	402811200

**Пластина соединительная передняя**

Предназначена для соединения горизонтальной направляющей с элементом радиусным и узлом направляющим передним.
Используется в промышленных воротах низкого, низкого с передним расположением вала, низкого с передним расположением вала (тип 2) и наклонного низкого типов монтажа.

Материал оцинкованная сталь
Вес, кг/шт. 0,29
Единица измерения шт.
Норма поставки, шт. 80

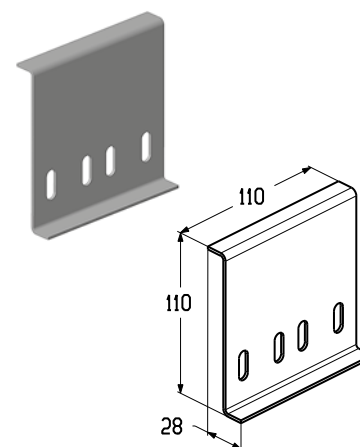
Артикул	Код
CP861	402811100

**Пластина соединительная передняя**

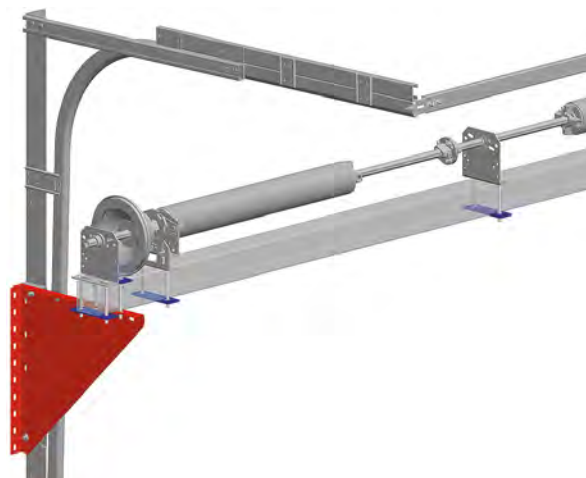
Предназначена для соединения горизонтальной направляющей с элементом радиусным и узлом направляющим передним.
Используется в промышленных воротах всех типов монтажа (кроме низких и вертикальных).

Материал оцинкованная сталь
Вес, кг/шт. 0,22
Единица измерения шт.
Норма поставки, шт. 100

Артикул	Код
CP-133	402811900



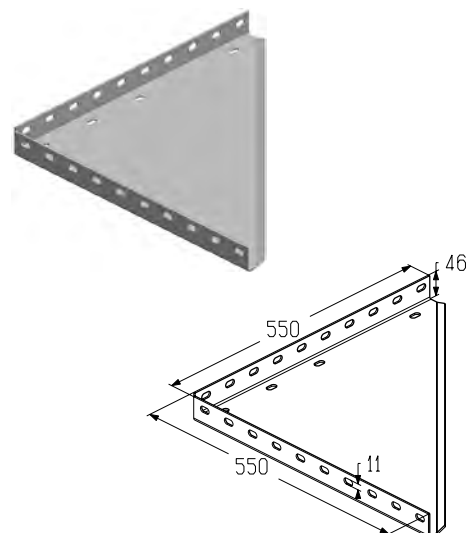
КРОНШТЕЙНЫ И ПЛАСТИНЫ СОЕДИНИТЕЛЬНЫЕ



Кронштейн

Предназначен для установки профиля несущего.
Используется в промышленных воротах высокого, вертикального, наклонного высокого типов монтажа с нижним расположением вала.

Материал оцинкованная сталь
Вес, кг/шт. 4,82
Единица измерения шт.
Норма поставки, шт. 4

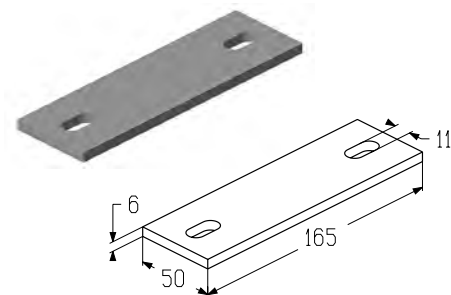


Артикул	Код
TP-550	402620000

Пластина

Предназначена для фиксации элементов торсионного вала.
Используется в промышленных воротах высокого, вертикального, наклонного высокого типов монтажа с нижним расположением вала.

Материал оцинкованная сталь
Вес, кг/шт. 0,36
Единица измерения шт.
Норма поставки, шт. 50



Артикул	Код
MS-550N	405000042

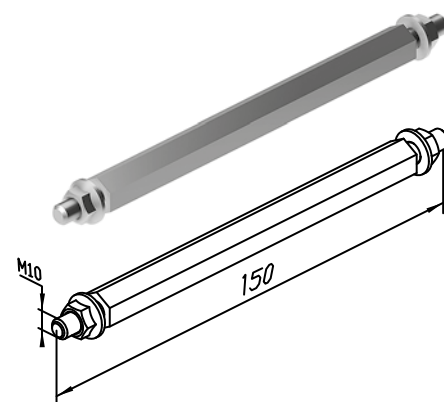
КРОНШТЕЙНЫ И ПЛАСТИНЫ СОЕДИНИТЕЛЬНЫЕ

Комплект крепежный

Предназначена для фиксации элементов торсионного вала.
Используется в промышленных воротах высокого, вертикального, наклонного высокого типов монтажа с нижним расположением вала.

Материал оцинкованная сталь
Вес, кг/шт. 0,23
Единица измерения шт.
Норма поставки, шт. 1

Артикул	Код
OSS4013	419410103



1.1

1.2

1.3

1.4

1.5

2

3

4

КРОНШТЕЙНЫ И ПЛАСТИНЫ СОЕДИНИТЕЛЬНЫЕ

УСТАНОВКА КРОНШТЕЙНА УГЛОВОГО



Кронштейн угловой (B-3500)



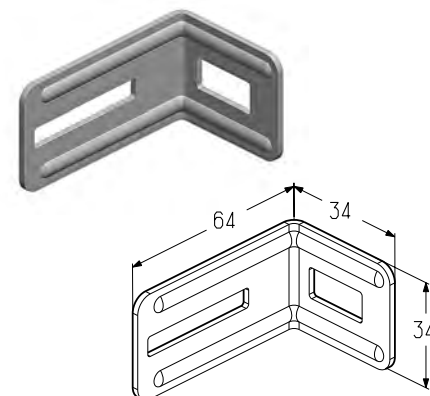
Кронштейн (B0310)



Кронштейн угловой

Предназначен для крепления профиля углового (**PRG-30L/R**) к стене.
Используется в гаражных воротах с пружинами растяжения и торсионными пружинами всех типов монтажа.

Материал оцинкованная сталь
Вес, кг/шт. 0,05
Единица измерения шт.
Норма поставки, шт. 500



Артикул	Код
B-3500	402630900

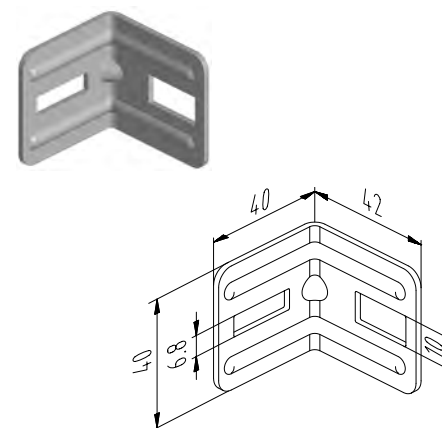
Кронштейн

Предназначен:

- для крепления профиля углового к стене;
- для крепления профиля монтажного (**PRG09**) и С-профиля (**PRG06**) к потолку.

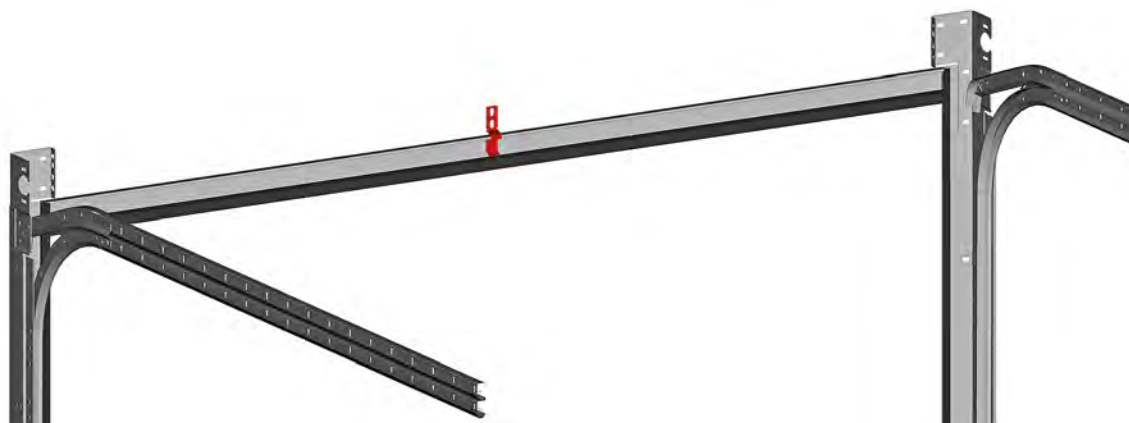
Используется в промышленных воротах всех типов монтажа.

Материал оцинкованная сталь
Вес, кг/шт. 0,05
Единица измерения шт.
Норма поставки, шт. 280



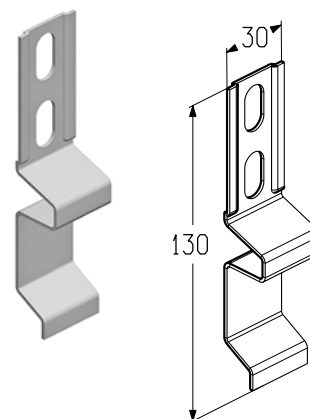
Артикул	Код
B0310	406136859

КРОНШТЕЙНЫ И ПЛАСТИНЫ СОЕДИНИТЕЛЬНЫЕ

**Кронштейн профиля переднего**

Предназначен для крепления профиля переднего (**PRG-35**) к стене.
Используется в гаражных воротах с пружинами растяжения и торсионными пружинами стандартного и низкого типов монтажа.

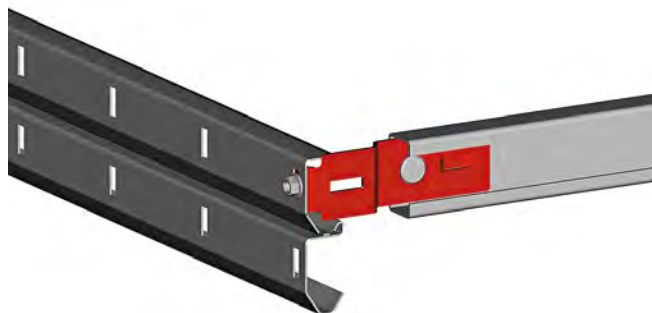
Материал оцинкованная сталь
Вес, кг/шт. 0,04
Единица измерения шт.
Норма поставки, шт. 320



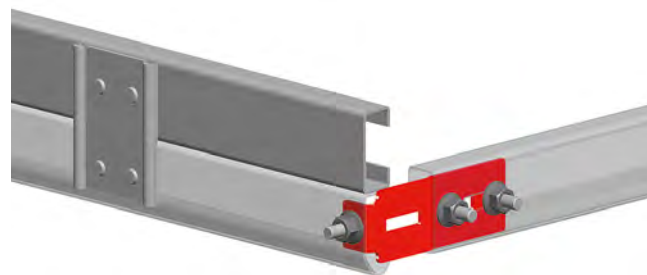
Артикул	Код
B-3509	402600900

КРОНШТЕЙНЫ И ПЛАСТИНЫ СОЕДИНИТЕЛЬНЫЕ

УСТАНОВКА КРОНШТЕЙНА



Кронштейн мерной планки (B-3501)

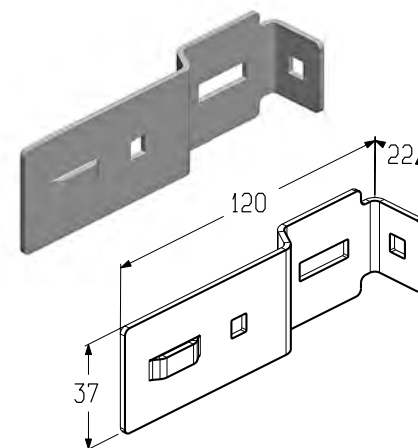


Кронштейн мерной планки (B802)

Кронштейн мерной планки

Предназначен для соединения профиля направляющего (PRG-32) с С-профилем (PRG-33).
Используется в гаражных воротах с пружинами растяжения и торсионными пружинами всех типов монтажа.

Материал оцинкованная сталь
Вес, кг/шт. 0,07
Единица измерения шт.
Норма поставки, шт. 200

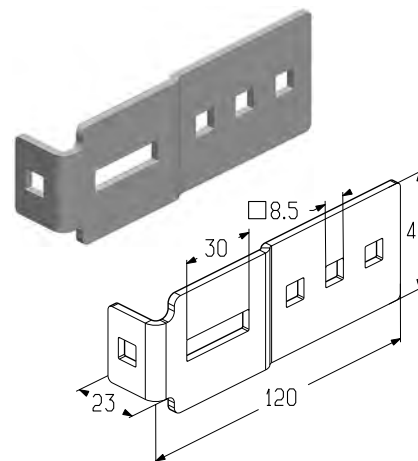


Артикул	Код
B-3501	402600700

Кронштейн мерной планки

Предназначен для соединения профиля направляющего (горизонтального) с С-профилем (PRG07, PRG07N). Используется в промышленных воротах всех типов монтажа.

Материал оцинкованная сталь
Вес, кг/шт. 0,10
Единица измерения шт.
Норма поставки, шт. 220



Артикул	Код
B802	402620100

КРОНШТЕЙНЫ И ПЛАСТИНЫ СОЕДИНИТЕЛЬНЫЕ

УСТАНОВКА ПЛАСТИНЫ



Пластина ограничительная
(LP-3514)



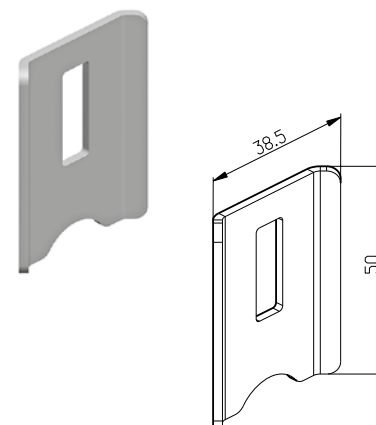
Пластина ограничительная
(LP-3515)

Пластина ограничительная

Предназначена для установки совместно с профилем угловым (PRG-30L/R) и засовом (SB0100).
Используется в гаражных воротах с пружинами растяжения и торсионными пружинами всех типов монтажа.

Материал	оцинкованная сталь
Вес, кг/шт.	0,038
Единица измерения	шт.
Норма поставки, шт.	200

Артикул	Код
LP-3514	401950100

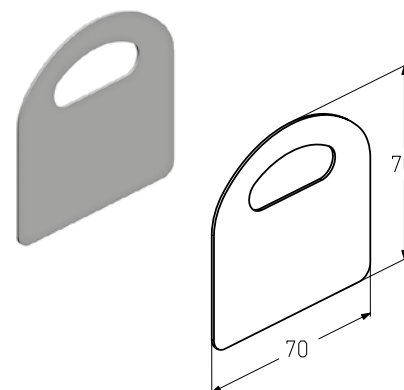


Пластина ограничительная

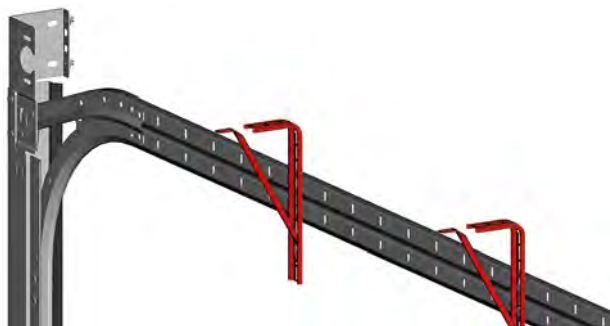
Предназначена для установки совместно с профилем угловым (PRG-30L/R).
Используется в гаражных воротах с пружинами растяжения и торсионными пружинами стандартного и низкого типов монтажа.

Материал	ABS
Вес, кг/шт.	0,004
Единица измерения	шт.
Норма поставки, шт.	2000

Артикул	Код
LP-3515	401950200



СИСТЕМА ТЕЛЕСКОПИЧЕСКОГО ПОДВЕСА



Крепление подвеса к профилю направляющему горизонтальному



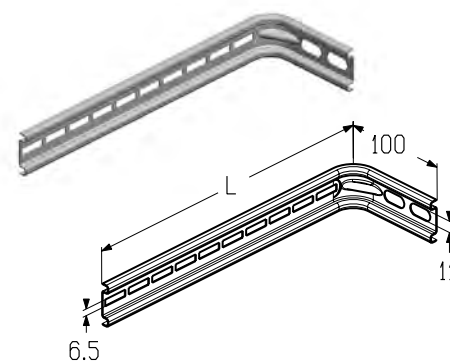
Крепление подвеса к С-профилю (мерной планке)

Подвес

Предназначен для изготовления системы подвеса горизонтальных направляющих. Используется в гаражных воротах с пружинами растяжения и торсионными пружинами всех типов монтажа.

Материал оцинкованная сталь
Единица измерения шт.

Артикул	Код	Длина (L), мм	Вес, кг/шт.	Норма поставки, шт.
ТВ-191Т-300	402610900	300	0,20	100
ТВ-191Т-500	402611000	500	0,30	60
ТВ-191Т-800	402611100	800	0,46	40
ТВ-191Т-1000	402611200	1000	0,56	40

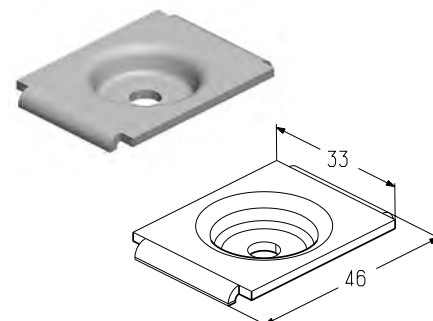


Фиксатор раскоса

Предназначен для крепления подвеса (ТВ-191Т) к кронштейну мерной планки (В-3501). Используется в гаражных воротах с пружинами растяжения и торсионными пружинами всех типов монтажа.

Материал оцинкованная сталь
Вес, кг/шт. 0,02
Единица измерения шт.
Норма поставки, шт. 600

Артикул	Код
ТВ-194Т	402611900



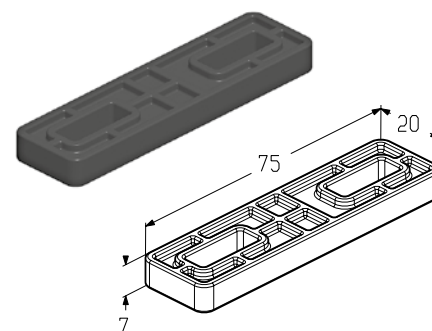
СИСТЕМА ТЕЛЕСКОПИЧЕСКОГО ПОДВЕСА



Фиксатор подвеса

Предназначен для крепления подвеса (ТВ-191Т) к профилю направляющему (PRG-32).
Используется в гаражных воротах с пружинами растяжения и торсионными пружинами всех типов монтажа.

Материал	полиамид
Вес, кг/шт.	0,01
Единица измерения	шт.
Норма поставки, шт.	1250



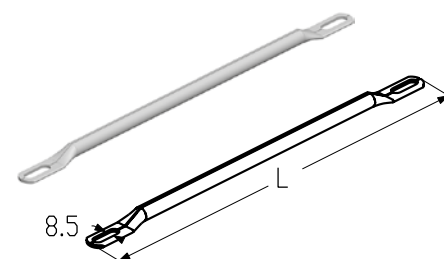
Артикул	Код
ТВ-192Т	402611300

Раскос

Предназначен для изготовления системы подвеса.
Используется в гаражных воротах с пружинами растяжения и торсионными пружинами всех типов монтажа.

Материал	оцинкованная сталь
Единица измерения	шт.
Норма поставки, шт.	400

Артикул	Код	Длина (L), мм	Вес, кг/шт.
ТВ193S-330	402910600	330	0,08
ТВ193S-680	402910700	680	0,19
ТВ193S-910	402910800	910	0,26



СИСТЕМА ТЕЛЕСКОПИЧЕСКОГО ПОДВЕСА



Подвес горизонтальных направляющих

Подвес мерной планки для наклонного низкого монтажа

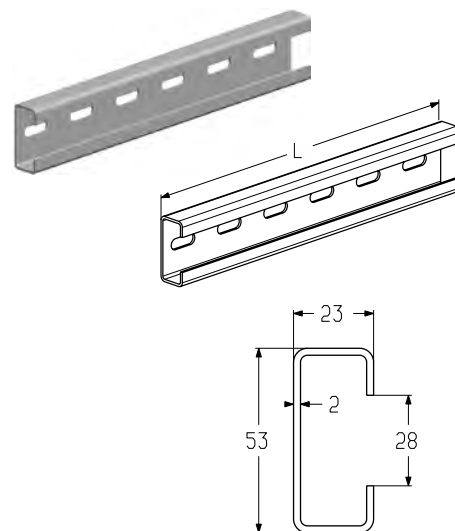
Подвес мерной планки для низкого монтажа

Кронштейн подвеса

Предназначен для изготовления системы телескопического подвеса. Используется в промышленных воротах всех типов монтажа.

Материал оцинкованная сталь
Единица измерения шт.
Норма поставки, шт. 100

Артикул	Код	Длина (L), мм	Вес, кг/шт.
ТВ607-300	402610000	300	0,48
ТВ607-500	402610100	500	0,80
ТВ607-800	402610200	800	1,28
ТВ607-1000	402610300	1000	1,60
ТВ607-1500	402610400	1500	2,40

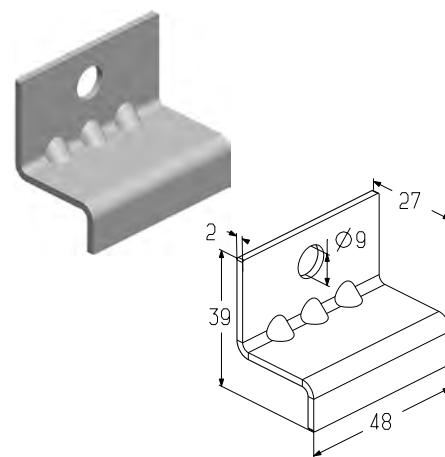


Кронштейн монтажный

Предназначен для подвеса горизонтальных направляющих. Устанавливается совместно с кронштейном (ТВ006). Используется в промышленных воротах низкого и наклонного низкого типов монтажа.

Материал оцинкованная сталь
Вес, кг/шт. 0,04
Единица измерения шт.
Норма поставки, шт. 500

Артикул	Код
ТВ603	402620200



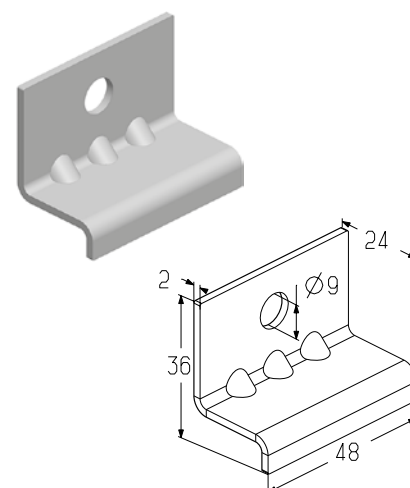
СИСТЕМА ТЕЛЕСКОПИЧЕСКОГО ПОДВЕСА

Кронштейн монтажный

Предназначен для подвеса горизонтальных направляющих. Устанавливается совместно с кронштейном (ТВ006) в промышленных воротах всех типов монтажа, кроме низкого и наклонного низкого.

Материал оцинкованная сталь
 Вес, кг/шт. 0,04
 Единица измерения шт.
 Норма поставки, шт. 500

Артикул	Код
ТВ604	402620300

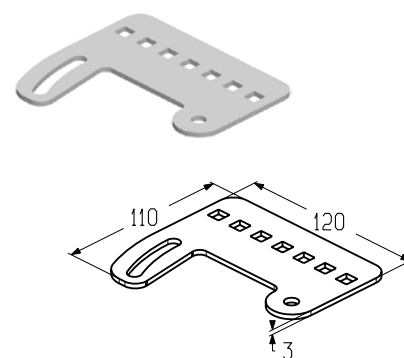


Пластина

Предназначена для подвеса мерной планки. Устанавливается совместно с кронштейном (ТВ607). Используется в промышленных воротах низкого монтажа и наклонного низкого типа монтажа с наклоном горизонтальных направляющих до 20°.

Материал оцинкованная сталь
 Вес, кг/шт. 0,18
 Единица измерения шт.
 Норма поставки, шт. 140

Артикул	Код
ТВ1922	403490300

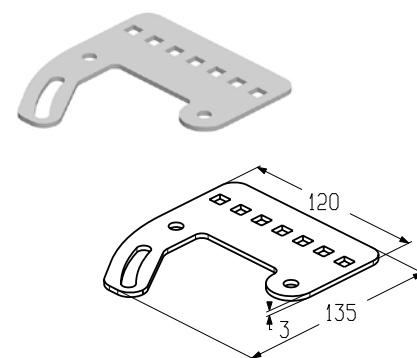


Пластина

Предназначена для подвеса мерной планки. Устанавливается совместно с кронштейном (ТВ607). Используется в промышленных воротах наклонного низкого типа монтажа с наклоном горизонтальных направляющих 25—45°.

Материал оцинкованная сталь
 Вес, кг/шт. 0,20
 Единица измерения шт.
 Норма поставки, шт. 45

Артикул	Код
ТВ1923	403490400



1.1

1.2

1.3

1.4

1.5

2

3

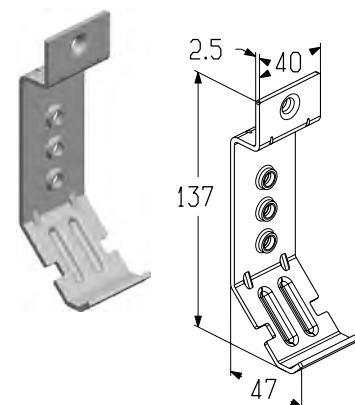
4

СИСТЕМА ТЕЛЕСКОПИЧЕСКОГО ПОДВЕСА

Кронштейн

Предназначен для подвеса горизонтальных направляющих. Устанавливается совместно с кронштейном монтажным (ТВ603) в промышленных воротах низкого и наклонного низкого типов монтажа. Устанавливается совместно с кронштейном монтажным (ТВ604) в промышленных воротах всех типов монтажа, кроме низкого и наклонного низкого.

Материал оцинкованная сталь
 Вес, кг/шт. 0,11
 Единица измерения шт.
 Норма поставки, шт. 300

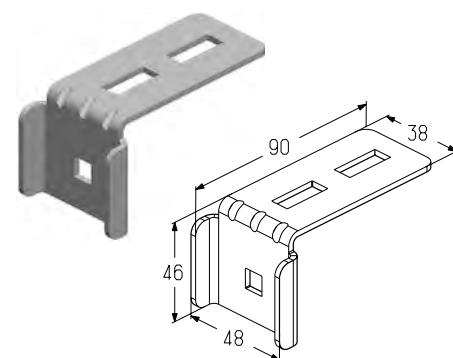


Артикул	Код
ТВ006	402610500

Кронштейн угловой

Предназначен для крепления кронштейна подвеса (ТВ607) к потолку. Используется для подвеса горизонтальных направляющих в промышленных воротах всех типов монтажа.

Материал оцинкованная сталь
 Вес, кг/шт. 0,12
 Единица измерения шт.
 Норма поставки, шт. 200

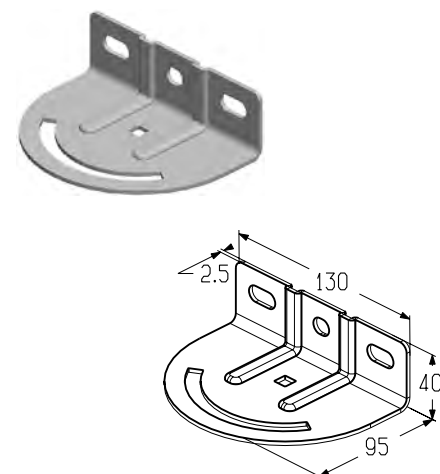


Артикул	Код
ТВ007	402630000

Кронштейн

Предназначен для крепления кронштейна подвеса (ТВ607) к потолку. Используется для подвеса мерной планки промышленных ворот наклонного низкого типа монтажа.

Материал оцинкованная сталь
 Вес, кг/шт. 0,28
 Единица измерения шт.
 Норма поставки, шт. 45



Артикул	Код
ТВ1924	403490500

СИСТЕМА ТЕЛЕСКОПИЧЕСКОГО ПОДВЕСА

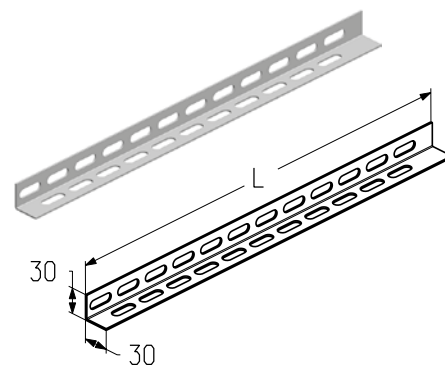
Профиль монтажный

Предназначен для усиления телескопического подвеса. Устанавливается совместно с кронштейном подвеса (ТВ607-300, ТВ607-500, ТВ607-800, ТВ607-1000).

Используется в промышленных воротах всех типов монтажа.

Материал оцинкованная сталь
 Вес, кг/м 0,61
 Единица измерения м

Артикул	Код	Длина (L), мм	Норма поставки	
			м	шт.
PRG09	402410400	1160	92,80	80
		1480	118,40	
		1800	144,00	



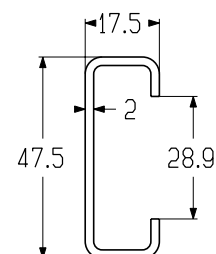
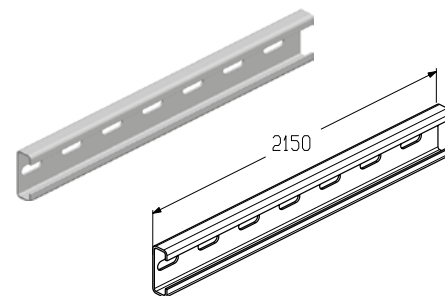
С-профиль

Перфорированный, предназначен для усиления телескопического подвеса. Устанавливается совместно с кронштейном подвеса (ТВ607-1500).

Используется в промышленных воротах всех типов монтажа.

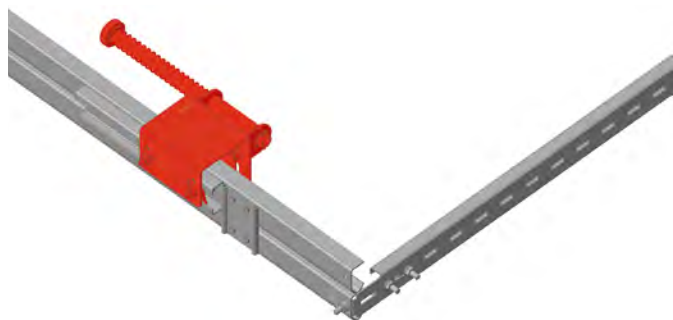
Материал оцинкованная сталь
 Вес, кг/м 1,38
 Единица измерения м
 Норма поставки, м 107,5

Артикул	Код	Норма поставки	
		м	шт.
PRG06	402421700	215,00	100

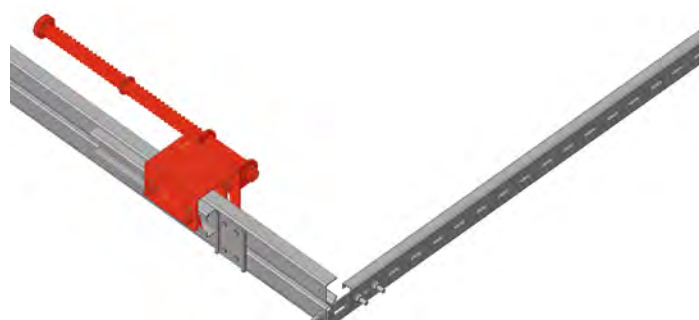


ОГРАНИЧИТЕЛИ ХОДА ПОЛОТНА

УСТАНОВКА ДЕМПФЕРА



Установка демпфера
SB-235K



Установка демпфера
SB-485K

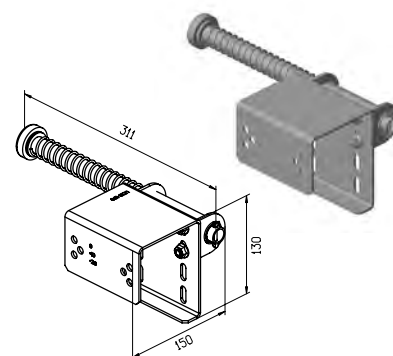
Демпфер

Предназначен для ограничения перемещения полотна гаражных и промышленных ворот.

Используется:

- в промышленных воротах без электропривода (или цепного редуктора) стандартного, низкого и наклонного низкого типов монтажа;
- в промышленных воротах с навальным электроприводом (или цепным редуктором) наклонного низкого типа монтажа;
- в промышленных воротах с ручным управлением или навальным электроприводом (или цепным редуктором) высокого, вертикального, наклонного высокого типов монтажа с верхним и нижним расположением вала, наклонного типа монтажа;
- в гаражных воротах без электропривода высокого типа монтажа.

Материал оцинкованная сталь
 Вес, кг/шт. 1,54
 Единица измерения шт.
 Норма поставки, шт. 60



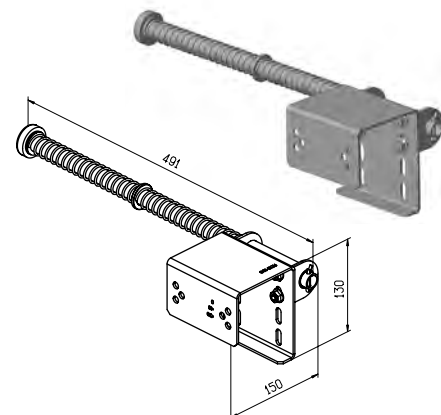
Артикул	Код
SB-235K	418700467

Демпфер

Предназначен для ограничения перемещения полотна промышленных ворот.

Используется в промышленных воротах с навальным электроприводом и цепным редуктором стандартного и низкого типов монтажа.

Материал оцинкованная сталь
 Вес, кг/шт. 1,75
 Единица измерения шт.
 Норма поставки, шт. 30



Артикул	Код
SB-485K	418700469

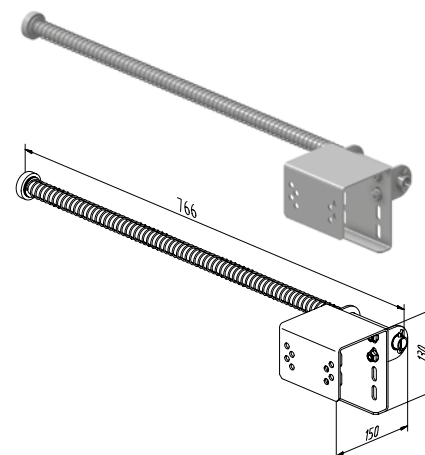
ОГРАНИЧИТЕЛИ ХОДА ПОЛОТНА

Демпфер

Предназначен для ограничения перемещения полотна промышленных ворот.
Используется в промышленных воротах стандартного, низкого, низкого с передним расположением вала и низкого с передним расположением вала (тип 2) типах монтажа.

Материал оцинкованная сталь
Единица измерения шт.
Норма поставки, шт. 30

Артикул	Код	Длина, мм	Вес, кг	Применяемость
SB-750K	418700471	750	2,12	при массе полотна более 260 кг
SB-750ЕК	418700473	750	2,03	при массе полотна до 260 кг



1.1

1.2

1.3

1.4

1.5

2

3

4

ОГРАНИЧИТЕЛИ ХОДА ПОЛОТНА

УСТАНОВКА ДЕМПФЕРА

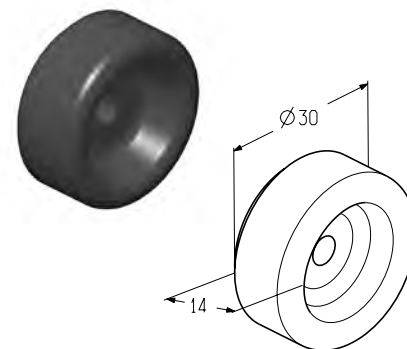


Демпфер

Демпфер

Предназначен для ограничения перемещения полотна гаражных ворот с пружинами растяжения или торсионными пружинами всех типов монтажа с автоматическим управлением.

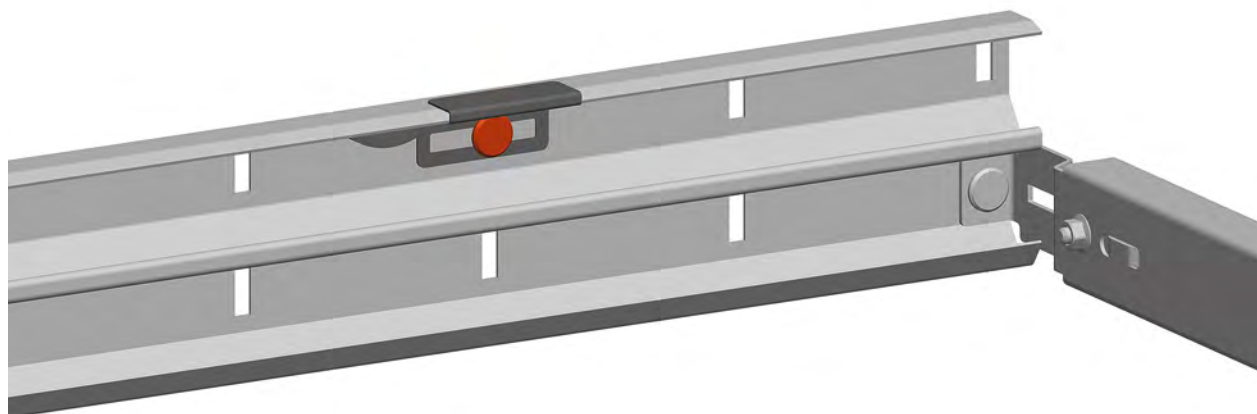
Материал EPDM
 Вес, кг/шт. 0,01
 Единица измерения шт.
 Норма поставки, шт. 1800



Артикул	Код
RS-3516	402911600

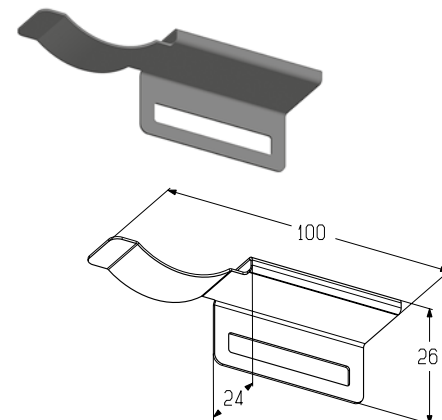
ОГРАНИЧИТЕЛИ ХОДА ПОЛОТНА

УСТАНОВКА ФИКСАТОРА

**Фиксатор**

Предназначен для ограничения перемещения полотна гаражных ворот.
Используется в гаражных воротах с пружинами растяжения и торсионными пружинами всех типов монтажа с ручным управлением.

Материал пружинная сталь
Вес, кг/шт. 0,05
Единица измерения шт.
Норма поставки, шт. 800



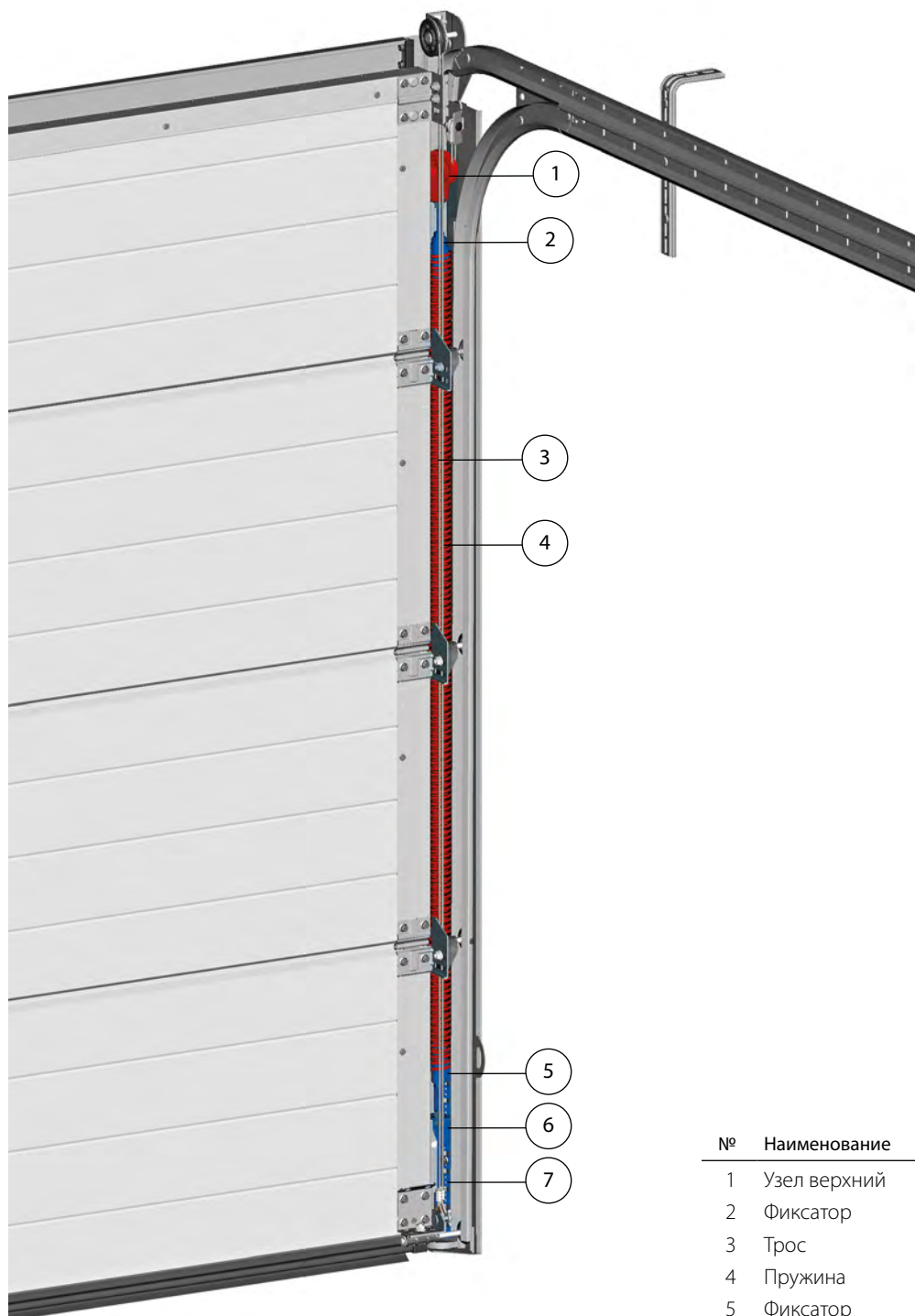
Артикул	Код
LHT-3005	418700055

1.5

Система балансировки

ГАРАЖНЫЕ ВОРОТА СЕРИИ TREND

ПРУЖИНЫ РАСТЯЖЕНИЯ



№ Наименование

- | | |
|---|--------------|
| 1 | Узел верхний |
| 2 | Фиксатор |
| 3 | Трос |
| 4 | Пружина |
| 5 | Фиксатор |
| 6 | Кронштейн |
| 7 | Пластина |

1.1

1.2

1.3

1.4

1.5

2

3

4

УЗЕЛ ВЕРХНИЙ И ПЛАСТИНА

Узел верхний

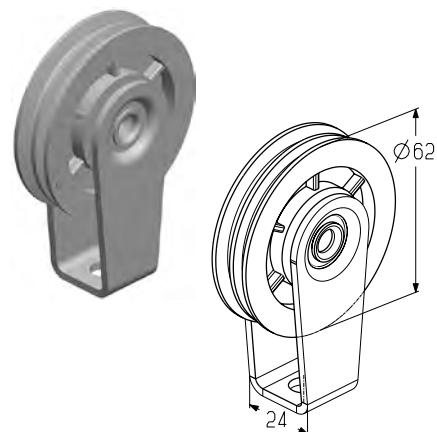
Предназначен для:

- установки троса;
- крепления фиксатора (**SH221S**).

Используется в гаражных воротах с пружинами растяжения.

Материал оцинкованная сталь
 Вес, кг/шт. 0,14
 Единица измерения шт.
 Норма поставки, шт. 100

Артикул	Код
US230S	402300400



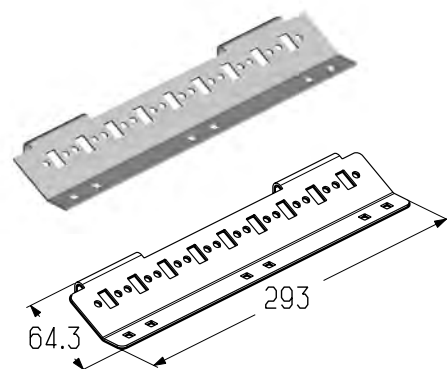
Пластина

Предназначена для регулировки натяжения пружин совместно с кронштейном (**SB212S**).

Используется в гаражных воротах с пружинами растяжения.

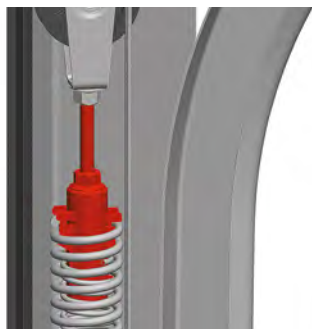
Материал оцинкованная сталь
 Вес, кг/шт. 0,29
 Единица измерения шт.
 Норма поставки, шт. 50

Артикул	Код
SP-230T	402812600

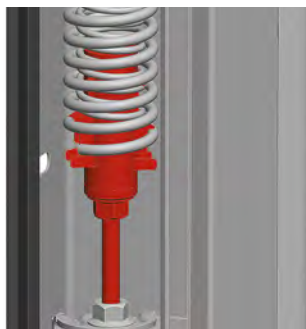


ФИКСАТОР И КРОНШТЕЙН

УСТАНОВКА ФИКСАТОРА И КРОНШТЕЙНА



Фиксатор SH221S



Кронштейн SB212S

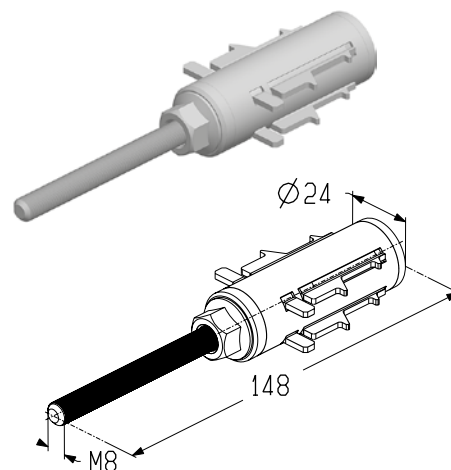


Фиксатор

Предназначен для крепления пружин.
Используется в гаражных воротах с пружинами растяжения.

Материал оцинкованная сталь
Вес, кг/шт. 0,21
Единица измерения шт.
Норма поставки, шт. 60

Артикул	Код
SH221S	402911100

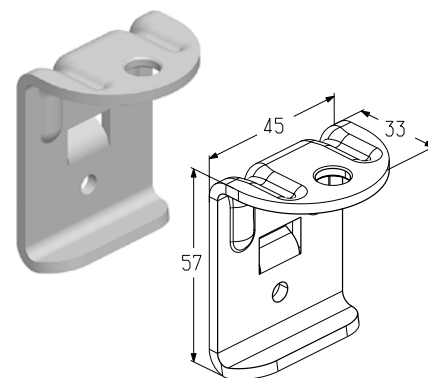


Кронштейн

Предназначен для регулировки натяжения пружин совместно с пластиной (SP-230T).
Используется в гаражных воротах с пружинами растяжения.

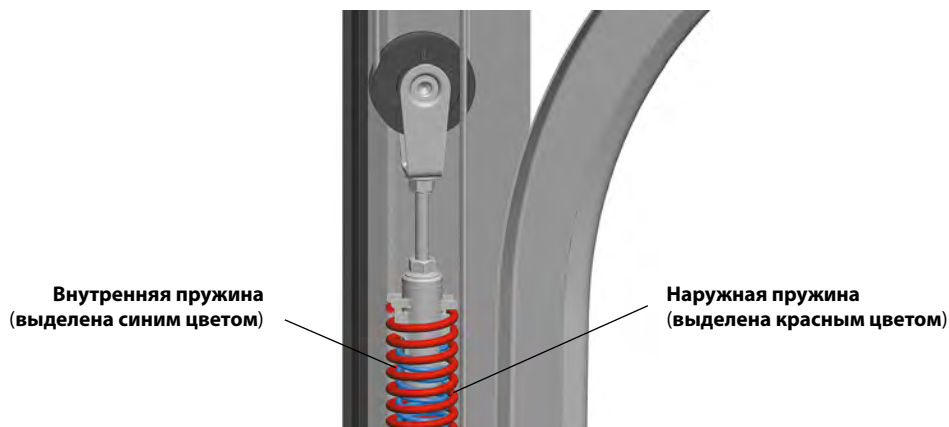
Материал оцинкованная сталь
Вес, кг/шт. 0,93
Единица измерения шт.
Норма поставки, шт. 200

Артикул	Код
SB212S	402600600



ПРУЖИНЫ

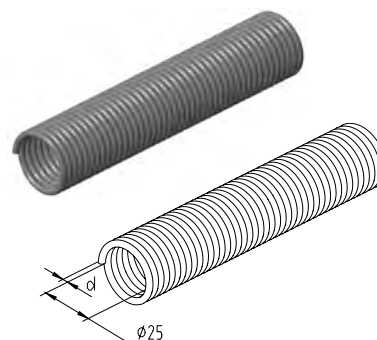
УСТАНОВКА ВНУТРЕННЕЙ И НАРУЖНОЙ ПРУЖИН



Пружина (внутренняя)*

Предназначена для балансировки полотна гаражных ворот с пружинами растяжения.

Внутренний диаметр, мм 25
 Материал оцинкованная сталь
 Единица измерения м

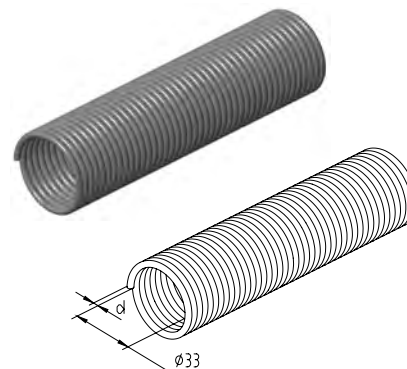


Артикул	Код	Диаметр (d), мм	Вес, кг/м	Норма поставки	
				м	шт.
TN26×25VT×2500R	411800302	2,6	1,39	625	250
TN28×25BR×2500R	411800332	2,8	1,51	2000	800
TN30×25WH×1500R	403322500	3,0	1,63	1200	800
TN32×25YL×1020R	411800336	3,2	1,75	816	800
TN32×25YL×1280R	411800337	3,2	1,75	1024	800
TN34×25RD×1550R	411800304	3,4	1,87	1240	800

Пружина (наружная)*

Предназначена для балансировки полотна гаражных ворот с пружинами растяжения.

Внутренний диаметр, мм 33
 Материал оцинкованная сталь
 Единица измерения м



Артикул	Код	Диаметр (d), мм	Вес, кг/м	Норма поставки	
				м	шт.
TN30×33WH×2000R	403332600	3,0	2,09	300	150
TN32×33GR×1100R	411800338	3,2	2,24	550	500
TN34×33BL×850R	411800339	3,4	2,40	425	500
TN36×33OR×960R	411800340	3,6	2,55	480	500
TN36×33OR×1060R	411800341	3,6	2,55	530	500
TN38×33PN×1000R	403331000	3,8	2,71	500	500
TN38×33PN×1220R	411800342	3,8	2,71	610	500
TN40×33GN×1260R	411800343	4,0	2,87	630	500
TN42×33BK×1260R	411800344	4,2	3,03	630	500

* Ввиду постоянного совершенствования конструкции возможно изменение параметров пружин.
 Актуальные артикулы следует уточнять при заказе комплектации.

КОЖУХ

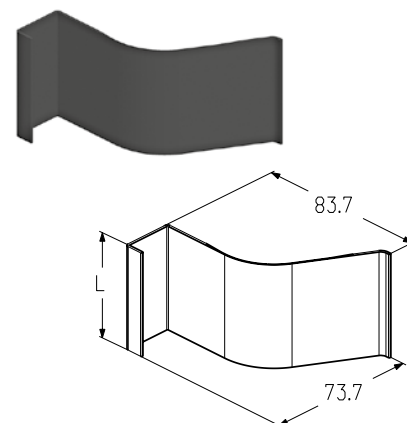
УСТАНОВКА КОЖУХА

**Кожух**

Предназначен для защиты от защемления пальцев. Устанавливается совместно с пружинным механизмом.

Используется в гаражных воротах с пружинами растяжения.

Материал RPVC
 Длина, м 2,50
 Вес, кг/м 0,18
 Единица измерения м



Артикул	Код	Норма поставки	
		м	шт.
РС-4506	402911400	25	10

1.1

1.2

1.3

1.4

1.5

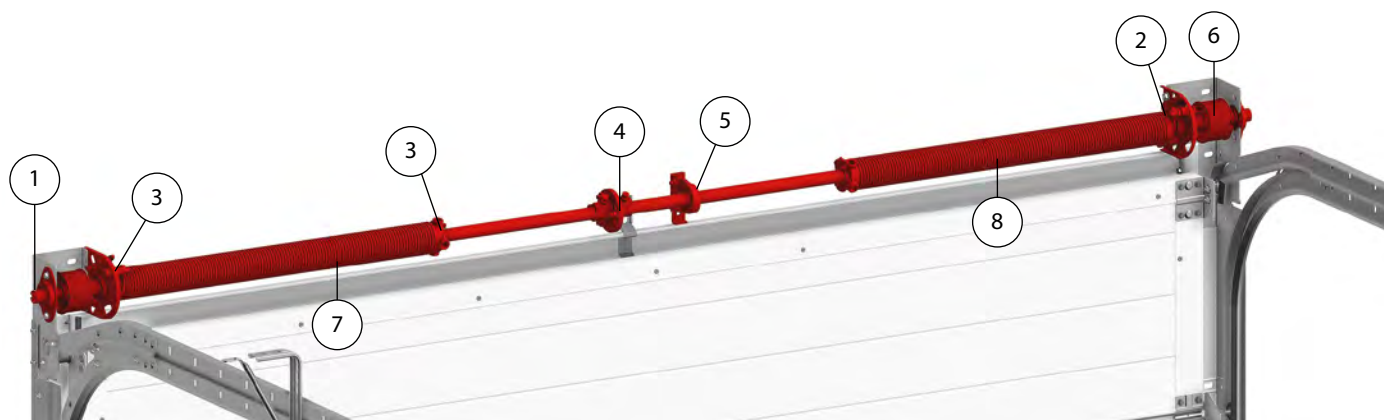
2

3

4

ТИПОВАЯ КОНСТРУКЦИЯ ТОРСИОННОГО ВАЛА В СБОРЕ

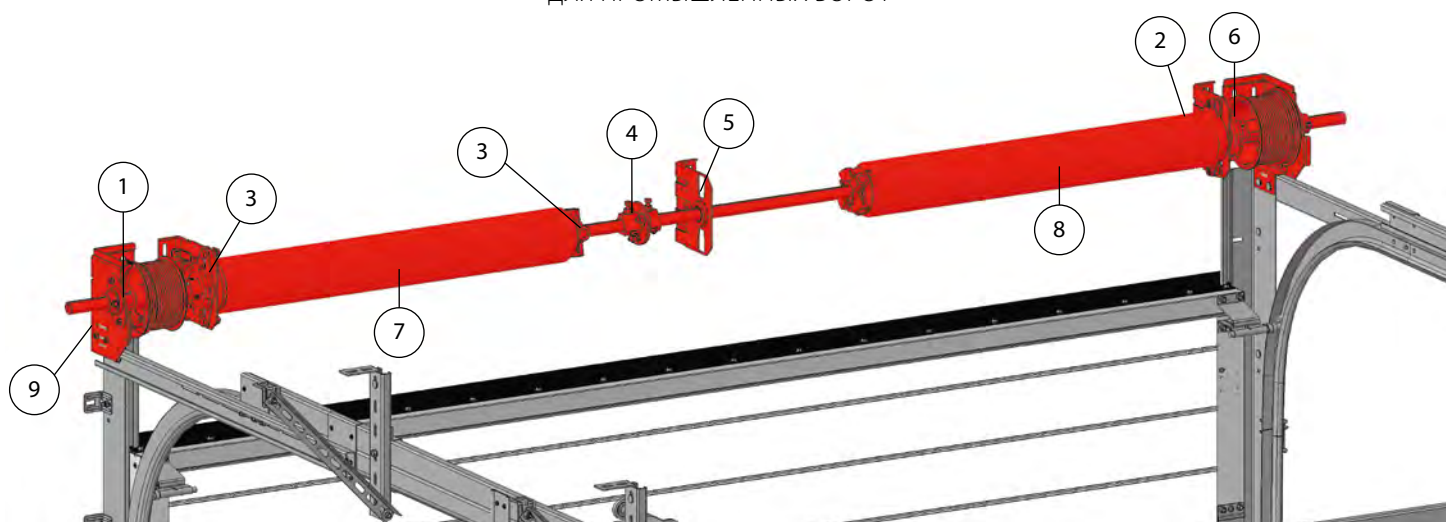
ДЛЯ ГАРАЖНЫХ ВОРОТ



№	Наименование
1	Кольцо стопорное
2	Муфта храповая предохранительная
3	Наконечники пружинные
4	Муфта соединительная

№	Наименование
5	Кронштейн промежуточный
6	Барабан
7	Пружина с левой навивкой
8	Пружина с правой навивкой

ДЛЯ ПРОМЫШЛЕННЫХ ВОРОТ



№	Наименование
1	Кольцо стопорное
2	Муфта храповая предохранительная
3	Наконечники пружинные
4	Муфта соединительная
5	Кронштейн промежуточный

№	Наименование
6	Барабан
7	Пружина с левой навивкой
8	Пружина с правой навивкой
9	Кронштейн боковой

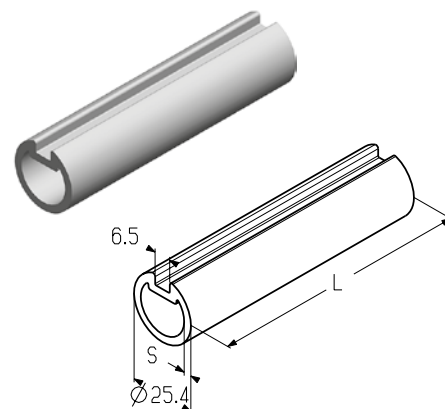
ВАЛЫ И МУФТЫ СОЕДИНИТЕЛЬНЫЕ

Вал

Применяется при массе полотна ворот менее 160 кг.
Используется для гаражных и промышленных ворот всех типов монтажа с торсионными пружинами.

Диаметр вала, мм 25,4
Материал оцинкованная сталь
Толщина стенки (S), мм 2,0
Единица измерения м

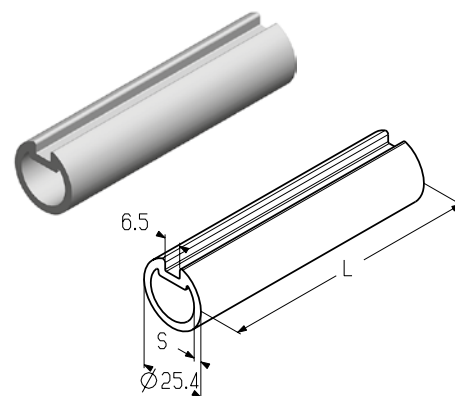
Артикул	Код	Длина (L), мм	Вес, кг/м	Норма поставки	
				м	шт.
TSH-4500-2	403221000	4500	1,20	225	50
TSH-5500-2	403221100	5500		275	

**Вал**

Применяется при массе полотна ворот от 160 до 230 кг.
Используется для гаражных и промышленных ворот всех типов монтажа с торсионными пружинами.

Диаметр вала, мм 25,4
Материал оцинкованная сталь
Толщина стенки (S), мм 3,0
Единица измерения м

Артикул	Код	Длина (L), мм	Вес, кг/м	Норма поставки	
				м	шт.
TSH-4500	403220100	4500	1,75	225	50
TSH-5500	403220200	5500		275	

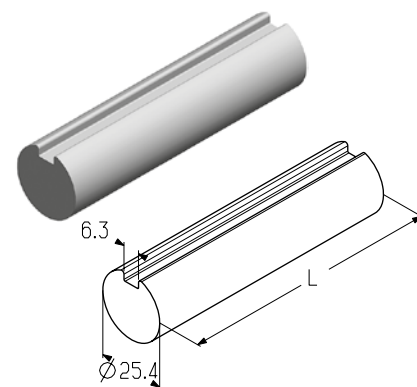
**Вал**

Применяется:

- при массе полотна от 230 до 350 кг для гаражных ворот с торсионными пружинами всех типов монтажа;
- при массе полотна от 230 до 300 кг для промышленных ворот высокого с нижним расположением вала, вертикального с нижним расположением вала, наклонного высокого с нижним расположением вала;
- при массе полотна от 230 до 350 кг для промышленных ворот иных типов монтажа;
- для промышленных ворот всех типов монтажа в случае использования дуплексных пружин.

Диаметр вала, мм 25,4
Материал оцинкованная сталь
Единица измерения м

Артикул	Код	Длина (L), мм	Вес, кг/м	Норма поставки	
				м	шт.
TSS-5000	403220300	5000	3,75	125,0	25
TSS-5500	403220400	5500		137,5	



ВАЛЫ И МУФТЫ СОЕДИНИТЕЛЬНЫЕ

Вал

Применяется:

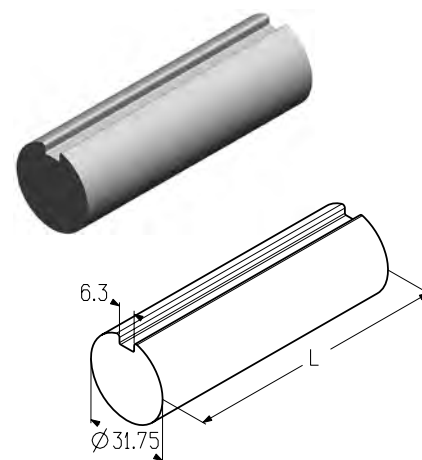
- при массе полотна от 300 кг для промышленных ворот высокого с нижним расположением вала, вертикального с нижним расположением вала, наклонного высокого с нижним расположением вала;
- при массе полотна от 350 кг для промышленных ворот иных типов монтажа.

Диаметр вала, мм 31,75

Материал оцинкованная сталь

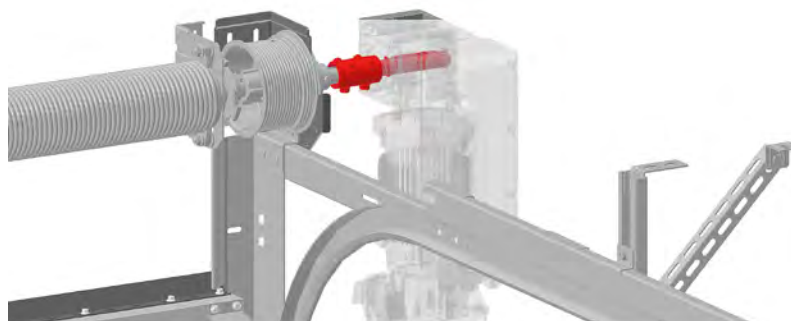
Единица измерения м

Артикул	Код	Длина (L), мм	Вес, кг/м	Норма поставки	
				м	шт.
TSS-5/4-4000	412950699	4000	6,00	100	25
TSS-5/4-5800	403230100	5800		145	



ВАЛЫ И МУФТЫ СОЕДИНИТЕЛЬНЫЕ

УСТАНОВКА АДАПТЕРА ВАЛА

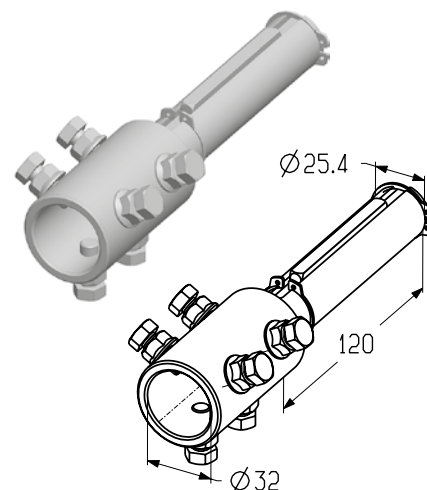


Адаптер

Предназначен для установки навальных электроприводов и цепного редуктора на вал диаметром 31,75 мм. Используется в промышленных воротах всех типов монтажа.

Материал оцинкованная сталь
 Вес, кг/шт. 0,94
 Единица измерения шт.
 Норма поставки, шт. 10

Артикул	Код
SA-5/4	403720000

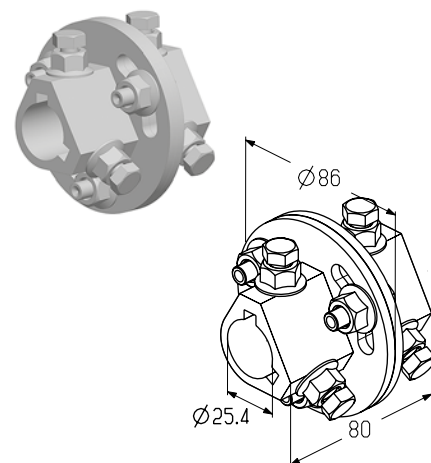


Муфта соединительная АС-1

Предназначена для сборки торсионного вала.
 Используется в гаражных воротах с торсионными пружинами и промышленных воротах всех типов монтажа.

Материал оцинкованная сталь
 Единица измерения шт.
 Норма поставки, шт. 100

Артикул	Код	Диаметр вала (d), мм	Вес, кг/шт.
АС-1	403710000	25,4	0,74



Муфта соединительная АС-5/4

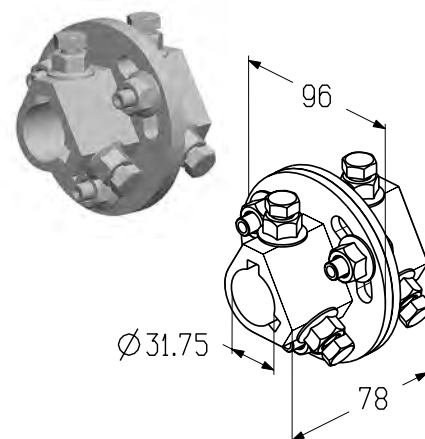
Предназначена для сборки торсионного вала.
Используется в промышленных воротах всех типов монтажа.

Материал Оцинкованная сталь

Единица измерения шт.

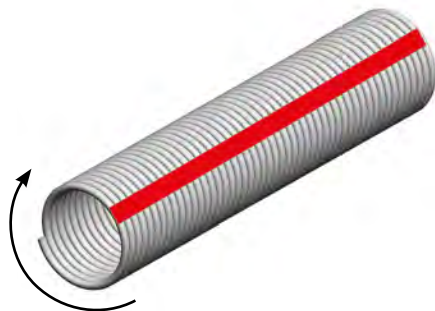
Норма поставки, шт. 14

Артикул	Код	Диаметр вала (d), мм	Вес, кг/шт.
АС-5/4	403710100	31,75	0,99

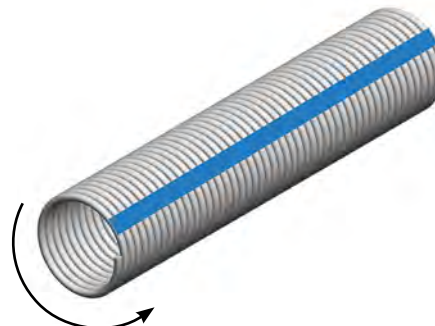


ПРУЖИНЫ И НАКОНЕЧНИКИ ПРУЖИННЫЕ

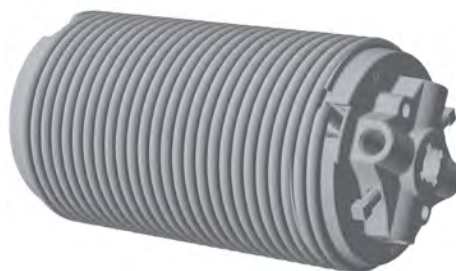
ПРУЖИНА С ЛЕВОЙ НАВИВКОЙ — L
(маркируется красным цветом)



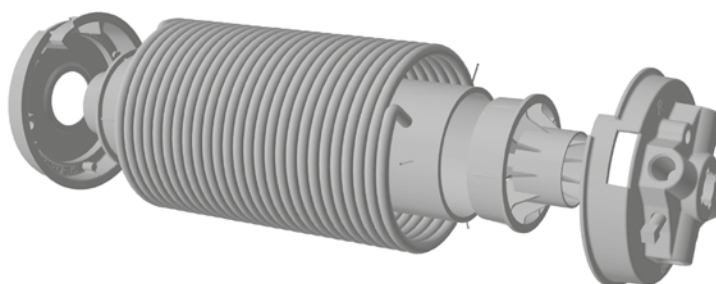
ПРУЖИНА С ПРАВОЙ НАВИВКОЙ — R
(маркируется любым другим цветом)



СХЕМАТИЧЕСКОЕ ИЗОБРАЖЕНИЕ ПРУЖИНЫ 95 ММ
С НАКОНЕЧНИКАМИ ПРУЖИННЫМИ



СХЕМАТИЧЕСКОЕ ИЗОБРАЖЕНИЕ ПРУЖИНЫ 152 ММ
С НАКОНЕЧНИКАМИ ПРУЖИННЫМИ



1.1

1.2

1.3

1.4

1.5

2

3

4

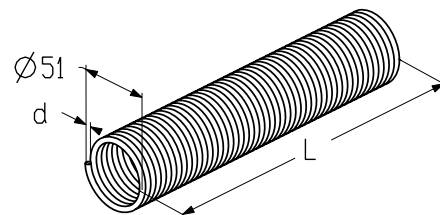
ПРУЖИНЫ И НАКОНЕЧНИКИ ПРУЖИННЫЕ

Пружина*

Используется:

- в гаражных воротах с торсионными пружинами всех типов монтажа;
- в промышленных воротах всех типов монтажа.

Внутренний диаметр, мм 51
 Диаметр вала, мм 25,4
 Материал стальная проволока
 Покрытие полимерное
 Цвет** RAL 9006
 Единица измерения м



Артикул	Код	Диаметр (d), мм	Длина (L), мм	Вес нетто, кг/м	Норма поставки	
					м	шт.
TSA42,5×51×1000R	403803100	4,25	1000	4,53	220	220
TSA42,5×51×1000L	403803200	4,25	1000	4,53	220	220
TSA45×51×1100R	403380200	4,50	1100	4,82	242	220
TSA45×51×1100L	403380300	4,50	1100	4,82	242	220
TSA47,5×51×1250R	403380400	4,75	1250	5,11	275	220
TSA47,5×51×1250L	403380500	4,75	1250	5,11	275	220
TSA50×51×2000R	411800314	5,00	2000	5,40	440	220
TSA50×51×2000L	411800315	5,00	2000	5,40	440	220
TSA52,5×51×2000R	411800316	5,25	2000	5,70	440	220
TSA52,5×51×2000L	411800317	5,25	2000	5,70	440	220
TSA55×51×2000R	411800318	5,50	2000	6,00	440	220
TSA55×51×2000L	411800319	5,50	2000	6,00	440	220
TSA57,5×51×1600R	403800900	5,75	1600	6,30	352	220
TSA57,5×51×1600L	403801000	5,75	1600	6,30	352	220
TSA60×51×1700R	403801100	6,00	1700	6,60	374	220
TSA60×51×1700L	403801200	6,00	1700	6,60	374	220
TSA62,5×51×1800R	403801300	6,25	1800	6,91	396	220
TSA62,5×51×1800L	403801400	6,25	1800	6,91	396	220
TSA65×51×1900R	403801500	6,50	1900	7,21	418	220
TSA65×51×1900L	403801600	6,50	1900	7,21	418	220
TSA70×51×1400R	403382000	7,00	1400	7,84	308	220
TSA70×51×1400L	403382100	7,00	1400	7,84	308	220
TSA70×51×2000R	403384800	7,00	2000	7,84	440	220
TSA70×51×2000L	403384900	7,00	2000	7,84	440	220

* Ввиду постоянного совершенствования конструкции возможно изменение параметров пружин. Актуальные артикулы следует уточнять при заказе комплектации.

** Указанные в формате RAL **** цвета имеют близкое соответствие шкале RAL.

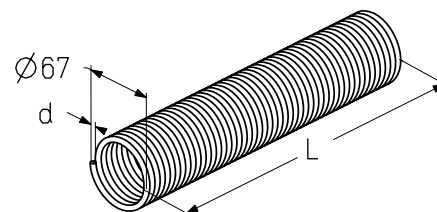
ПРУЖИНЫ И НАКОНЕЧНИКИ ПРУЖИННЫЕ

Пружина*

Используется:

- в гаражных воротах с торсионными пружинами всех типов монтажа;
- в промышленных воротах всех типов монтажа.

Внутренний диаметр, мм	67
Диаметр вала, мм	25,4
Материал	стальная проволока
Покрытие	полимерное
Цвет**	RAL 9006
Единица измерения	м



Артикул	Код	Диаметр (d), мм	Длина (L), мм	Вес нетто, кг/м	Норма поставки	
					м	шт.
TSA55×67×1200R	403383700	5,50	1200	7,69	168	140
TSA55×67×1200L	403382400	5,50	1200	7,69	168	140
TSA57,5×67×1400R	403382500	5,75	1400	8,07	196	140
TSA57,5×67×1400L	403382600	5,75	1400	8,07	196	140
TSA60×67×1500R	403802700	6,00	1500	8,45	210	140
TSA60×67×1500L	403802800	6,00	1500	8,45	210	140
TSA62,5×67×1700R	403387200	6,25	1700	8,83	238	140
TSA62,5×67×1700L	403387300	6,25	1700	8,83	238	140
TSA65×67×1700R	403803500	6,50	1700	9,21	238	140
TSA65×67×1700L	403803600	6,50	1700	9,21	238	140
TSA70×67×1900R	403803700	7,00	1900	9,99	266	140
TSA70×67×1900L	403803800	7,00	1900	9,99	266	140
TSA75×67×2200R	403802500	7,50	2200	10,78	308	140
TSA75×67×2200L	403802600	7,50	2200	10,78	308	140

* Ввиду постоянного совершенствования конструкции возможно изменение параметров пружин.
Актуальные артикулы следует уточнять при заказе комплектации.

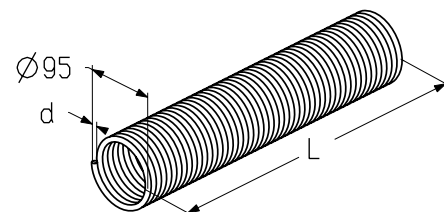
** Указанные в формате RAL **** цвета имеют близкое соответствие шкале RAL.

ПРУЖИНЫ И НАКОНЕЧНИКИ ПРУЖИННЫЕ

Пружина*

Используется в промышленных воротах всех типов монтажа.

Внутренний диаметр, мм	95
Диаметр вала, мм	25,4/31,75
Материал	стальная проволока
Покрытие	полимерное
Цвет	RAL 9006
Единица измерения	м



Артикул	Код	Диаметр (d), мм	Длина (L), мм	Вес нетто, кг/м	Норма поставки	
					м	шт.
TSA65×95×1400L	403374300	6,50	1400	12,81	95,2	68
TSA65×95×1400R	403374400	6,50	1400	12,81	95,2	68
TSA70×95×1150L	403376500	7,00	1150	13,86	78,2	68
TSA70×95×1150R	403376600	7,00	1150	13,86	78,2	68
TSA70×95×1650L	403376700	7,00	1650	13,86	112,2	68
TSA70×95×1650R	403376700	7,00	1650	13,86	112,2	68
TSA75×95×1300L	403376900	7,50	1300	14,93	88,4	68
TSA75×95×1300R	403376800	7,50	1300	14,93	88,4	68
TSA75×95×1750L	403377100	7,50	1750	14,93	119	68
TSA75×95×1750R	403377000	7,50	1750	14,93	119	68
TSA80×95×1500L	403700200	8,00	1500	16,00	102	68
TSA80×95×1500R	403700100	8,00	1500	16,00	102	68
TSA80×95×2100L	403370700	8,00	2100	16,00	142,8	68
TSA80×95×2100R	403370800	8,00	2100	16,00	142,8	68
TSA85×95×1250L	403370900	8,50	1250	17,08	85	68
TSA85×95×1250R	403371000	8,50	1250	17,08	85	68
TSA85×95×1800L	403373500	8,50	1800	17,08	122,4	68
TSA85×95×1800R	403373600	8,50	1800	17,08	122,4	68
TSA90×95×1400L	403371100	9,00	1400	18,17	95,2	68
TSA90×95×1400R	403371200	9,00	1400	18,17	95,2	68
TSA90×95×1800L	403373700	9,00	1800	18,17	122,4	68
TSA90×95×1800R	403373800	9,00	1800	18,17	122,4	68
TSA95×95×1750L	403375200	9,50	1750	19,28	119	68
TSA95×95×1750R	403375300	9,50	1750	19,28	119	68

* Ввиду постоянного совершенствования конструкции возможно изменение параметров пружин.
Актуальные артикулы следует уточнять при заказе комплектации.

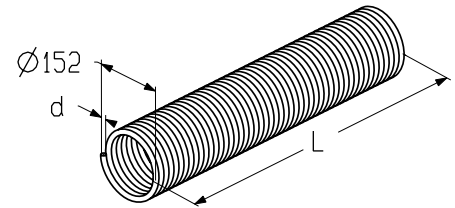
** Указанные в формате RAL **** цвета имеют близкое соответствие шкале RAL.

ПРУЖИНЫ И НАКОНЕЧНИКИ ПРУЖИННЫЕ

Пружина*

Используется в промышленных воротах всех типов монтажа.

Внутренний диаметр, мм	152
Диаметр вала, мм	25,4/31,75
Материал	стальная проволока
Покрытие	полимерное
Цвет	RAL 9006
Единица измерения	м



Артикул	Код	Диаметр (d), мм	Длина (L), мм	Вес нетто, кг/м	Норма поставки	
					м	шт.
TSA75×152×1300L	403377700	7,50	1300	23,23	36,4	28
TSA75×152×1300R	403377600	7,50	1300	23,23	36,4	28
TSA80×152×1500L	403377900	8,00	1500	24,85	42	28
TSA80×152×1500R	403377800	8,00	1500	24,85	42	28
TSA85×152×1250L	403700600	8,50	1250	26,49	35	28
TSA85×152×1250R	403700500	8,50	1250	26,49	35	28
TSA85×152×1750L	403700400	8,50	1750	26,49	49	28
TSA85×152×1750R	403700300	8,50	1750	26,49	49	28
TSA90×152×1300R	403379600	9,00	1300	28,14	36,4	28
TSA90×152×1300L	403379700	9,00	1300	28,14	36,4	28
TSA90×152×2100L	403375400	9,00	2100	28,14	58,8	28
TSA90×152×2100R	403375500	9,00	2100	28,14	58,8	28
TSA95×152×1300L	403375700	9,50	1300	29,79	36,4	28
TSA95×152×1300R	403375600	9,50	1300	29,79	36,4	28
TSA95×152×1500L	411800324	9,50	1500	29,79	42	28
TSA95×152×1500R	411800325	9,50	1500	29,79	42	28
TSA95×152×2250L	403372300	9,50	2250	29,79	63	28
TSA95×152×2250R	403372400	9,50	2250	29,79	63	28
TSA100×152×1400L	403700800	10,00	1400	31,46	39,2	28
TSA100×152×1400R	403700700	10,00	1400	31,46	39,2	28
TSA100×152×1600L	403702400	10,00	1600	31,46	44,8	28
TSA100×152×1600R	403702300	10,00	1600	31,46	44,8	28
TSA100×152×2450L	403701000	10,00	2450	31,46	68,6	28
TSA100×152×2450R	403700900	10,00	2450	31,46	68,6	28
TSA105×152×1400L	403372700	10,50	1400	33,13	39,2	28
TSA105×152×1400R	403372800	10,50	1400	33,13	39,2	28
TSA105×152×1800L	403374100	10,50	1800	33,13	50,4	28
TSA105×152×1800R	403374200	10,50	1800	33,13	50,4	28
TSA110×152×1550L	403375800	11,00	1550	34,81	43,4	28
TSA110×152×1550R	403375900	11,00	1550	34,81	43,4	28
TSA110×152×1800L	403379100	11,00	1800	34,81	50,4	28
TSA110×152×1800R	403379200	11,00	1800	34,81	50,4	28
TSA115×152×1800L	403379300	11,50	1800	36,51	50,4	28
TSA115×152×1800R	403379400	11,50	1800	36,51	50,4	28
TSA120×152×1700L	403379500	12,00	1700	38,21	47,6	28
TSA120×152×1700R	403379400	12,00	1700	38,21	47,6	28

* Ввиду постоянного совершенствования конструкции возможно изменение параметров пружин.

Актуальные артикулы следует уточнять при заказе комплектации.

** Указанные в формате RAL **** цвета имеют близкое соответствие шкале RAL.

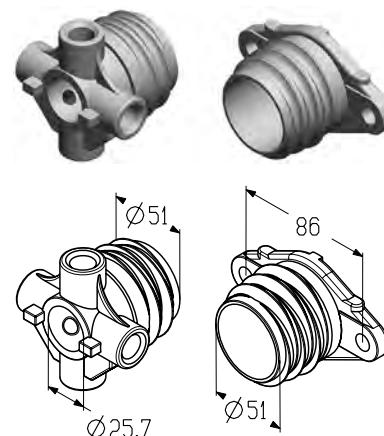
ПРУЖИНЫ И НАКОНЕЧНИКИ ПРУЖИННЫЕ

Наконечники пружинные 51 мм

Используются совместно с пружинами с внутренним диаметром 51 мм.

Материал алюминий
Диаметр вала, мм 25,4
Вес, кг/пара 0,27
Единица измерения пара
Норма поставки, пара 100

Артикул	Код
SF-51	403120000

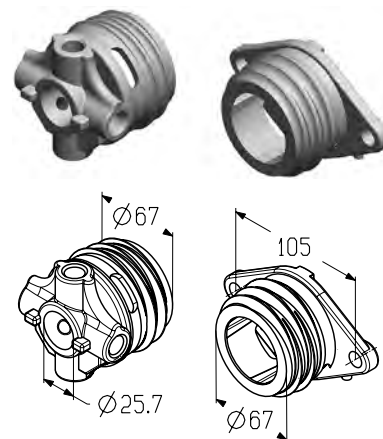


Наконечники пружинные 67 мм

Используются совместно с пружинами с внутренним диаметром 67 мм.

Материал алюминий
Диаметр вала, мм 25,4
Вес, кг/пара 0,39
Единица измерения пара
Норма поставки, пара 100

Артикул	Код
SF-67	403120100

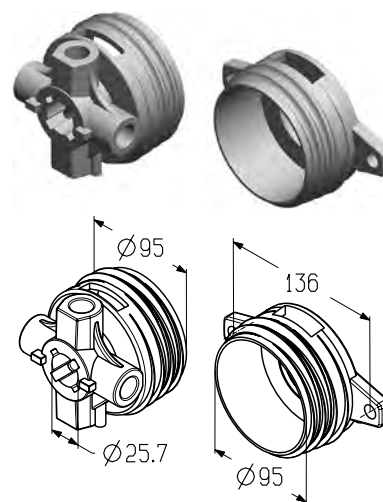


Наконечники пружинные 95 мм

Используются совместно с пружинами с внутренним диаметром 95 мм.

Материал алюминий
Диаметр вала, мм 25,4
Вес, кг/пара 0,77
Единица измерения пара
Норма поставки, пара 20

Артикул	Код
SF-95	403120200



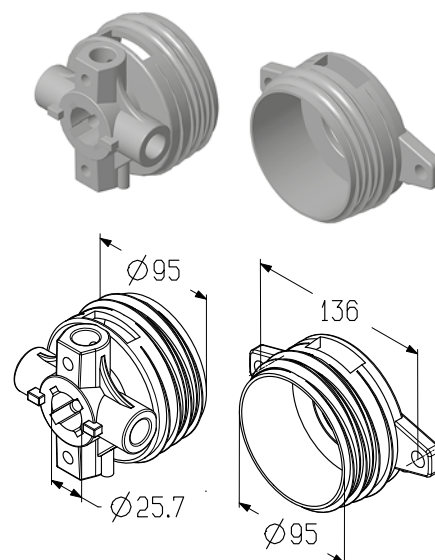
ПРУЖИНЫ И НАКОНЕЧНИКИ ПРУЖИННЫЕ

Наконечники пружинные 95 мм

Используются совместно с пружинами с внутренним диаметром 95 мм, установленными в составе системы дуплексных пружин.

Материал	алюминий
Диаметр вала, мм	25,4
Вес, кг/пара	1,01
Единица измерения	пара
Норма поставки, пара	20

Артикул	Код
SF-95-D	410000017

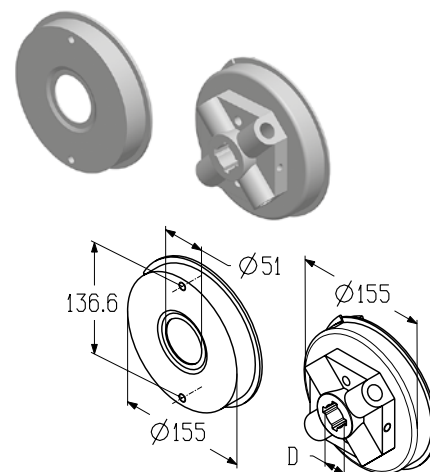


Наконечники пружинные 152 мм

Используются совместно с пружинами с внутренним диаметром 152 мм.

Материал	алюминий
Вес, кг/пара	1,33
Единица измерения	пара
Норма поставки, пара	7

Артикул	Код	Диаметр вала (d), мм	Применение
SF-152L	403120500	25,4	Левый
SF-152R	403120400		Правый
SF-152L-5/4	403130200	31,75	Левый
SF-152R-5/4	403130100		Правый

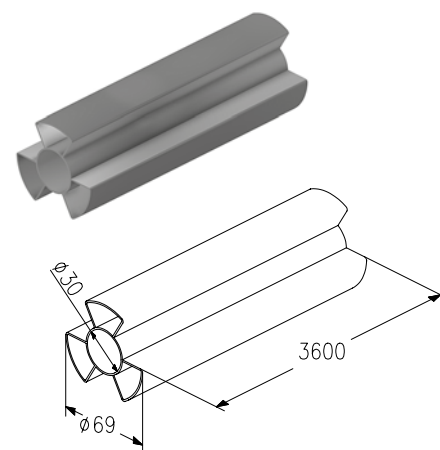


Профиль проставочный

Применяется совместно с пружиной с внутренним диаметром 95 мм.

Длина, мм	3800
Материал	ПВХ
Единица измерения	м
Норма поставки, м	3,8

Артикул	Код	Диаметр вала (d), мм	Вес, кг/м
IP-95N-3800	418700371	25,4	0,48
IP-95N-5/4-3800		31,75	0,49



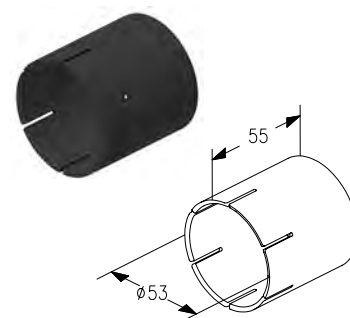
ПРУЖИНА С ВНУТРЕННИМ ДИАМЕТРОМ 95 ММ



Адаптер проставочный

Предназначен для установки совместно с профилем проставочным **IP-95N-3800**, **IP-95N-5/4-3800**.

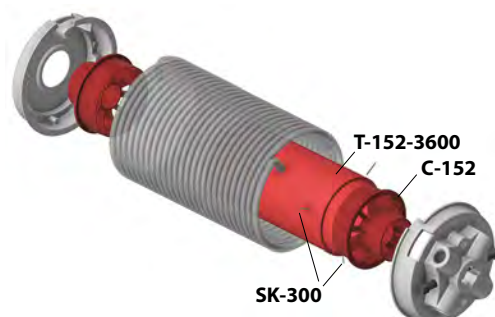
Материал ПВХ
 Вес, кг/шт. 0,02
 Единица измерения шт.
 Норма поставки, шт. 420



Артикул	Код
DH-4020	418700326

ПРУЖИНА С ВНУТРЕННИМ ДИАМЕТРОМ 152 М

УСТАНОВКА ТРУБЫ ПРОСТАВОЧНОЙ

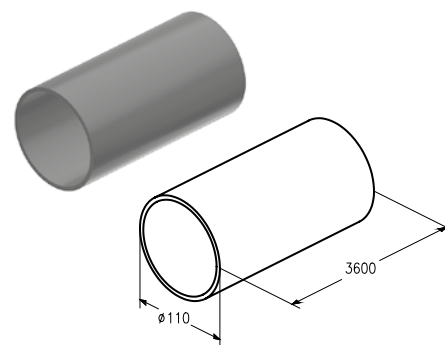


Труба проставочная 110×4,2 мм

Предназначена для установки совместно с пружиной с внутренним диаметром 152 мм.

Материал	ПНД
Вес, кг/м	1,56
Единица измерения	м
Норма поставки, м	3,6

Артикул	Код
T-152-3600	418700437

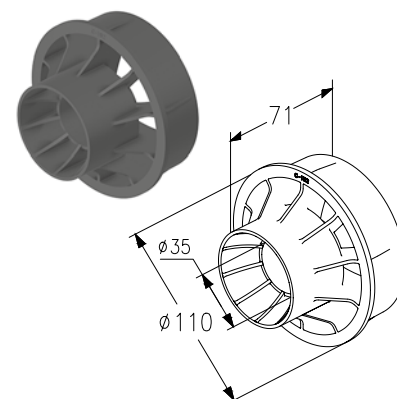


Крышка для трубы проставочной

Применяется совместно с трубой проставочной T-152-3600.

Материал	полиэтилен
Вес, кг/шт.	0,06
Единица измерения	шт.
Норма поставки, шт.	140

Артикул	Код
C-152	411800307



Штифт

Используется в качестве крепежа совместно с пружиной с внутренним диаметром 152 мм и крышками C-152. Поставляется в сборе с трубой проставочной T-152-3600 и крышками для трубы проставочной C-152.

Материал	сталь
Вес, кг/шт.	0,0002
Единица измерения	шт.
Норма поставки, шт.	100

Артикул	Код
SK-300	418700331

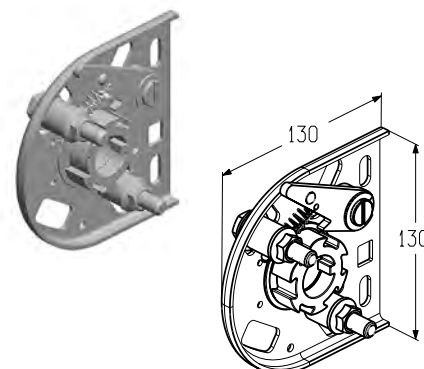
МУФТЫ ПРЕДОХРАНИТЕЛЬНЫЕ ХРАПОВЫЕ

Муфта предохранительная храповая

Предназначена для блокировки вала при поломке пружины.
Используется в гаражных воротах с торсионными пружинами стандартного и низкого типов монтажа.

Диаметр вала, мм	25,4
Материал	оцинкованная сталь
Вес, кг/шт.	0,76
Единица измерения	шт.
Норма поставки, шт.	32

Артикул	Код	Применение
SBD-TR	403732700	Правая
SBD-TL	403732600	Левая

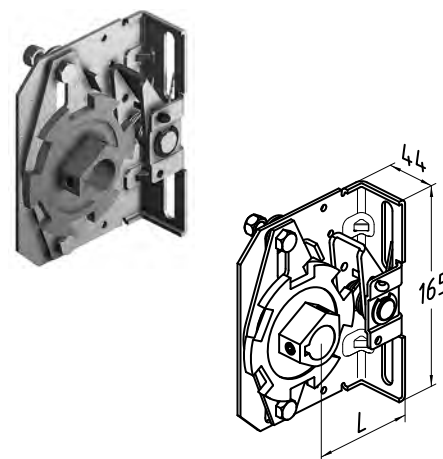


Муфта предохранительная храповая

Предназначена для блокировки вала при поломке пружины. Используется в гаражных воротах высокого типа монтажа, промышленных воротах всех типов монтажа.

Диаметр вала, мм	25,4
Материал	оцинкованная сталь
Единица измерения	шт.

Артикул	Код	Примечание	Вес, кг/шт.	Применение	Норма поставки, шт.
SBD-111R	403732000	Расстояние от стены до оси вала более 111 мм	1,77	Правая	10
SBD-111L	403732100			Левая	
SBD-127R	403732200	Расстояние от стены до оси вала более 127 мм	1,95	Правая	
SBD-127L	403732300			Левая	
SBD-152R	403732400	Расстояние от стены до оси вала более 152 мм	2,31	Правая	
SBD-152L	403732500			Левая	

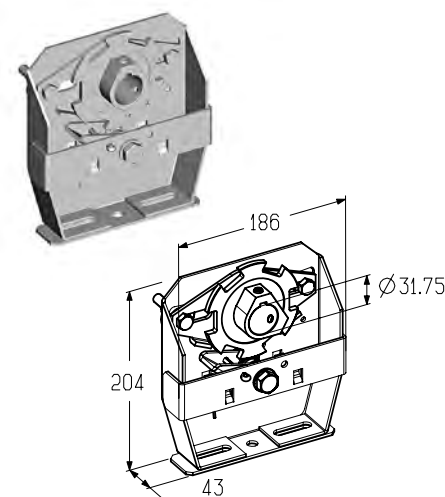


Муфта предохранительная храповая

Предназначена для блокировки вала при поломке пружины. Устанавливается совместно с пружинами с внутренним диаметром 95, 152 мм.
Используется в промышленных воротах всех типов монтажа.

Диаметр вала, мм	31,75
Материал	оцинкованная сталь
Вес, кг/шт.	2,50
Единица измерения	шт.
Норма поставки, шт.	20

Артикул	Код	Применение
SBD-TSS5/4L	403730800	Левая
SBD-TSS5/4R	403730900	Правая



БАРАБАНЫ

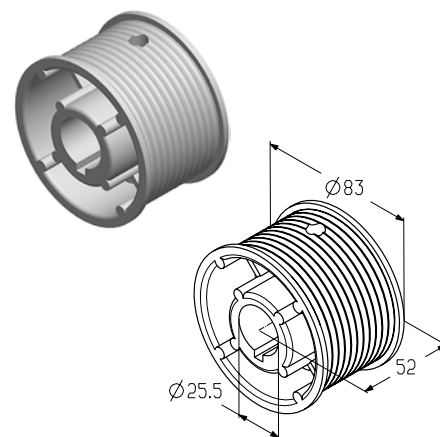
Барaban

Предназначен для намотки троса Ø3 мм.

Используется в гаражных воротах стандартного и низкого типов монтажа.

Диаметр вала, мм	25,4
Мах высота ворот, мм	2600
Мах масса полотна ворот, кг	320
Материал	алюминий
Вес, кг/пара	0,80
Единица измерения	пара
Норма поставки, пара	25

Артикул	Код
CD010N	403020000



Барaban

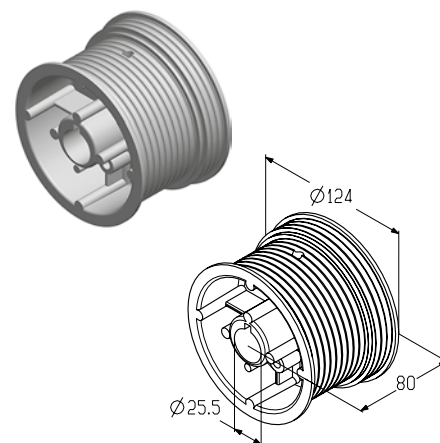
Предназначен для намотки троса Ø3, 4, 5 мм.

Используется:

- в гаражных воротах стандартного и низкого типов монтажа;
- в промышленных воротах стандартного, низкого, низкого с передним расположением вала, низкого с передним расположением вала (тип 2), наклонного низкого и наклонного типов монтажа.

Диаметр вала, мм	25,4
Мах высота ворот, мм	3680
Мах масса полотна ворот, кг	500
Материал	алюминий
Вес, кг/пара	1,10
Единица измерения	пара
Норма поставки, пара	20

Артикул	Код
CD012N	403020100



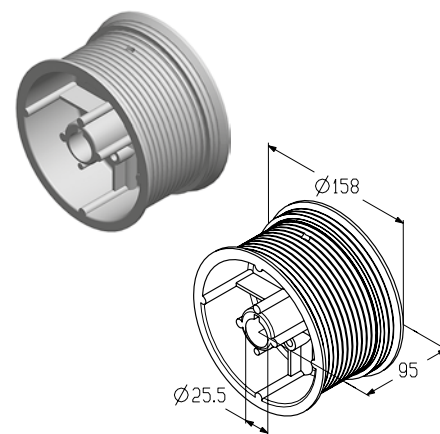
Барaban

Предназначен для намотки троса Ø3, 4, 5 мм.

Используется в промышленных воротах стандартного, низкого, низкого с передним расположением вала, низкого с передним расположением вала (тип 2), наклонного низкого и наклонного типов монтажа.

Диаметр вала, мм	25,4
Мах высота ворот, мм	5570
Мах масса полотна ворот, кг	500
Материал	алюминий
Вес, кг/пара	1,60
Единица измерения	пара
Норма поставки, пара	15

Артикул	Код
CD018N	403020200



БАРАБАНЫ

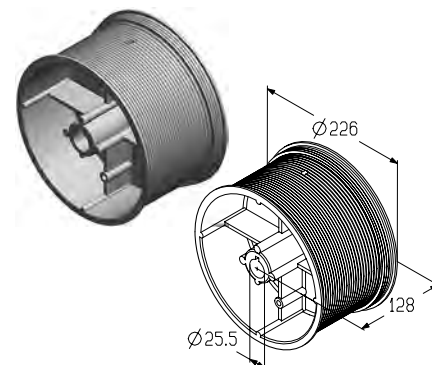
Барабан

Предназначен для крепления троса Ø3, 4, 5, 6 мм.

Используется в промышленных воротах стандартного, низкого, низкого с передним расположением вала, низкого с передним расположением вала (тип 2), наклонного низкого и наклонного типов монтажа.

Диаметр вала, мм	25,4
Мах высота ворот, мм	10175
Мах масса полотна ворот, кг	700
Материал	алюминий
Вес, кг/пара	5,10
Единица измерения	пара
Норма поставки, пара	4

Артикул	Код
CD032N	403020300
CD032N-D	410000015



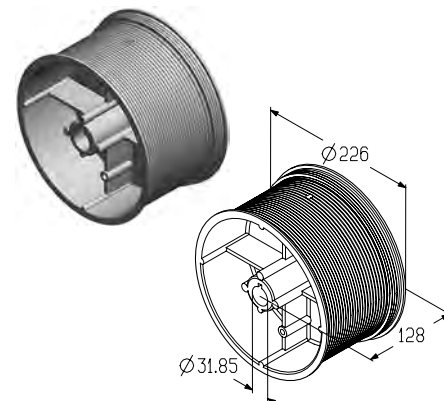
Барабан

Предназначен для крепления троса Ø3, 4, 5, 6 мм.

Используется в промышленных воротах стандартного, низкого, низкого с передним расположением вала, низкого с передним расположением вала (тип 2), наклонного низкого и наклонного типов монтажа.

Диаметр вала, мм	31,75
Мах высота ворот, мм	10175
Мах масса полотна ворот, кг	700
Материал	алюминий
Вес, кг/пара	5,10
Единица измерения	пара
Норма поставки, пара	2

Артикул	Код
CD032N-5/4	403030000



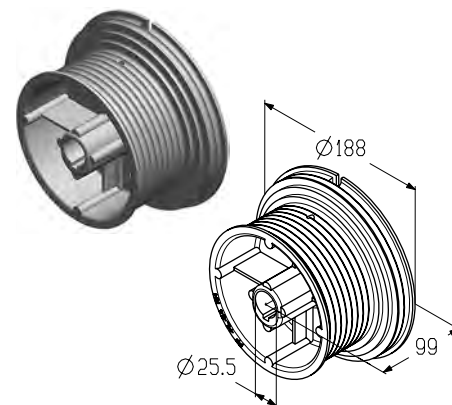
Барабан

Предназначен для крепления троса Ø3, 4, 5 мм.

Используется в гаражных воротах высокого типа монтажа, промышленных воротах высоких и высоких наклонных типов монтажа.

Диаметр вала, мм	25,4
Мах высота ворот, мм	4800
Мах масса полотна ворот, кг	500
Мах HL*, мм	1370
Материал	алюминий
Вес, кг/пара	2,10
Единица измерения	пара
Норма поставки, пара	6

Артикул	Код
CD054H	403020400



* Максимальное расстояние от нижнего края перемычки до нижнего края горизонтальных направляющих.

БАРАБАНЫ

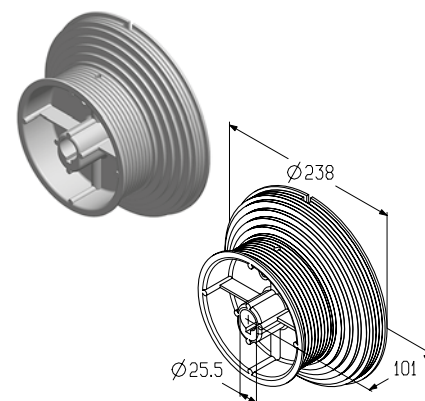
Барабан

Предназначен для крепления троса Ø3, 4, 5 мм.

Используется в промышленных воротах высоких и высоких наклонных типов монтажа.

Диаметр вала, мм	4
Мах высота ворот, мм	5050
Мах масса полотна ворот, кг	500
Мах HL*, мм	3050
Материал	алюминий
Вес, кг/пара	2,90
Единица измерения	пара
Норма поставки, пара	5

Артикул	Код
CD120H	403020500

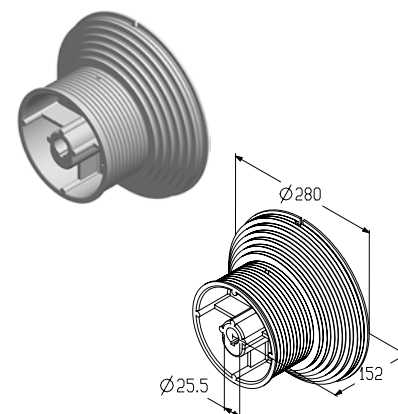
**Барабан**

Предназначен для крепления троса Ø3, 4, 5, 6 мм.

Используется в промышленных воротах высоких и высоких наклонных типов монтажа.

Диаметр вала, мм	25,4
Мах высота ворот, мм	6000
Мах масса полотна ворот, кг	650
Мах HL*, мм	4100
Материал	алюминий
Вес, кг/пара	6,50
Единица измерения	пара
Норма поставки, пара	3

Артикул	Код
CD164H	403020600
CD164H-D	410000014

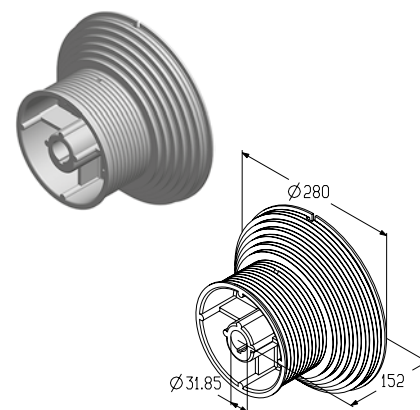
**Барабан**

Предназначен для крепления троса Ø3, 4, 5, 6 мм.

Используется в промышленных воротах высоких и высоких наклонных типов монтажа.

Диаметр вала, мм	31,75
Мах высота ворот, мм	6000
Мах масса полотна ворот, кг	650
Мах HL*, мм	4100
Материал	алюминий
Вес, кг/пара	6,50
Единица измерения	пара
Норма поставки, пара	2

Артикул	Код
CD164H-5/4	403030100



* Максимальное расстояние от нижнего края перемычки до нижнего края горизонтальных направляющих.

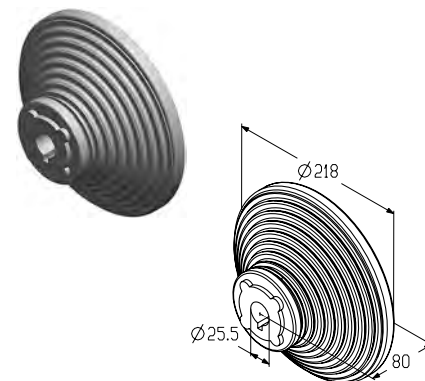
БАРАБАНЫ

Барабан

Предназначен для крепления троса Ø3, 4, 5 мм.
Используется в промышленных воротах вертикальных типов монтажа.

Диаметр вала, мм	25,4
Мах высота ворот, мм	3300
Мах масса полотна ворот, кг	500
Материал	алюминий
Вес, кг/пара	1,90
Единица измерения	пара
Норма поставки, пара	9

Артикул	Код
CD011V	403020700
CD011V-D	410000010

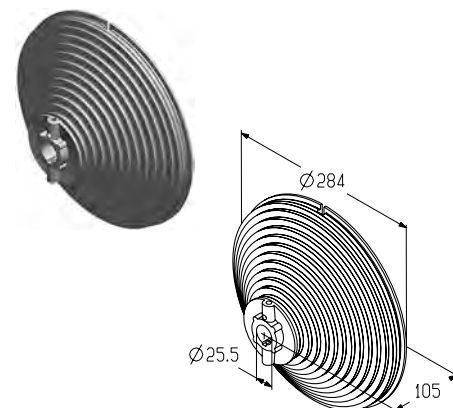


Барабан

Предназначен для крепления троса Ø3, 4, 5 мм.
Используется в промышленных воротах вертикальных типов монтажа.

Диаметр вала, мм	25,4
Мах высота ворот, мм	6000
Мах масса полотна ворот, кг	600
Материал	алюминий
Вес, кг/пара	4,00
Единица измерения	пара
Норма поставки, пара	5

Артикул	Код
CD018V	403020800
CD018V-D	410000011

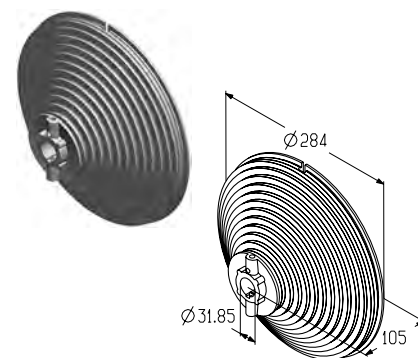


Барабан

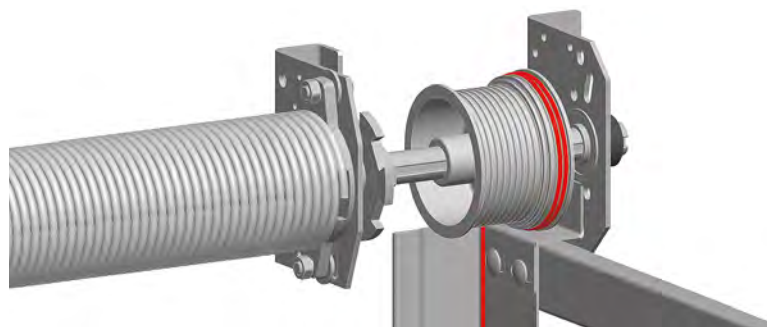
Предназначен для крепления троса Ø3, 4, 5 мм.
Используется в промышленных воротах вертикальных типов монтажа.

Диаметр вала, мм	31,75
Мах высота ворот, мм	6000
Мах масса полотна ворот, кг	600
Материал	алюминий
Вес, кг/пара	4,00
Единица измерения	пара
Норма поставки, пара	4

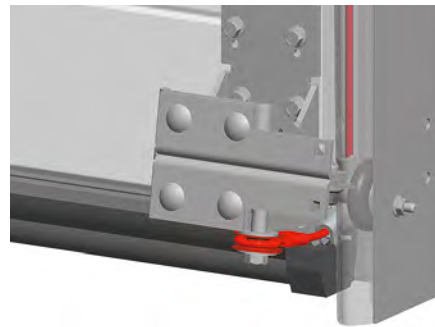
Артикул	Код
CD018V-5/4	403030200



ТРОСЫ, КОУШИ, ЗАЖИМЫ



Барaban



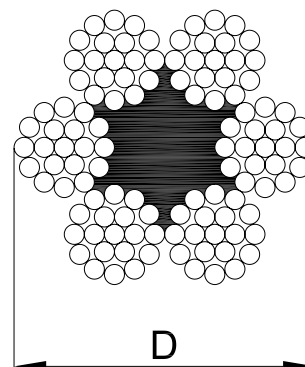
Нижний кронштейн

Трос

Предназначен для подъема полотна ворот.
Применяется в гаражных и промышленных воротах всех типов монтажа.

Материал оцинкованная сталь+PVC
Единица измерения м
Норма поставки, м 1000

Артикул	Код	Диаметр троса (d), мм	Вес, кг/м	Для ворот с массой полотна, кг
CR-3-250-P	403930800	3	0,055	до 135

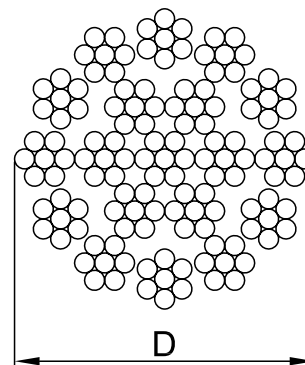


Трос

Предназначен для подъема полотна ворот.
Применяется в гаражных и промышленных воротах всех типов монтажа.

Материал оцинкованная сталь
Единица измерения м
Норма поставки, м 1000

Артикул	Код	Диаметр троса (d), мм	Вес, кг/м	Для ворот с массой полотна, кг
CR-4-H	414060398	4	0,060	от 135 до 200
CR-5-H	414060399	5	0,092	от 200 до 450

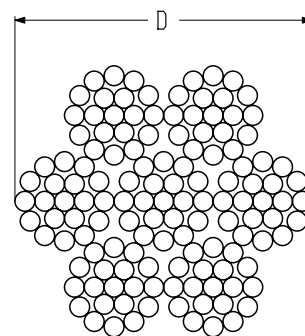


Трос

Предназначен для подъема полотна ворот.

Материал оцинкованная сталь
Единица измерения м
Норма поставки, м 1000

Артикул	Код	Диаметр троса (d), мм	Вес, кг/м	Для ворот с массой полотна, кг
CR-6-250	403930300	6	0,140	от 450



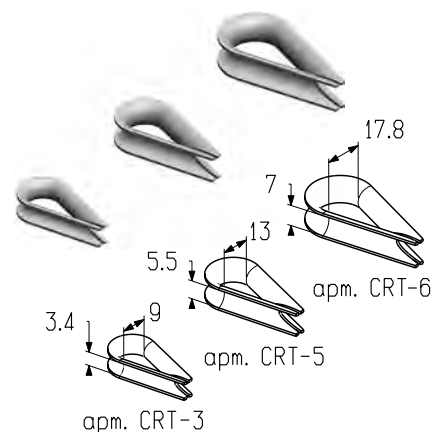
ТРОСЫ, КОУШИ, ЗАЖИМЫ

Коуш

Предназначен для заделки троса.

Материал оцинкованная сталь
 Единица измерения шт.
 Норма поставки, шт. 1000

Артикул	Код	Диаметр троса (d), мм	Вес, кг/шт.
CRT-3	403950000	3	0,002
CRT-5	403950100	5 и 4	0,005
CRT-6	403950200	6	0,008

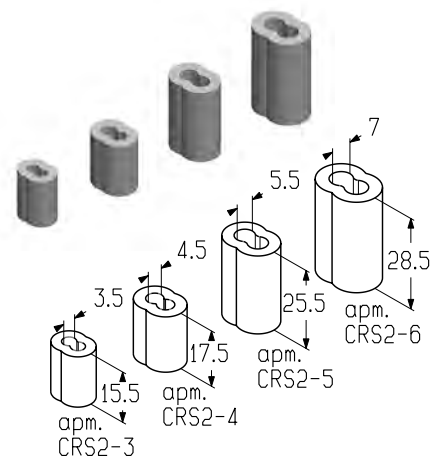


Зажим

Предназначен для заделки троса.

Материал алюминий
 Единица измерения шт.
 Норма поставки, шт. 1000

Артикул	Код	Диаметр троса (d), мм	Вес, кг/шт.
CRS2-3	403940000	3	0,003
CRS2-4	403940100	4	0,004
CRS2-5	403940200	5	0,007
CRS2-6	403940300	6	0,011

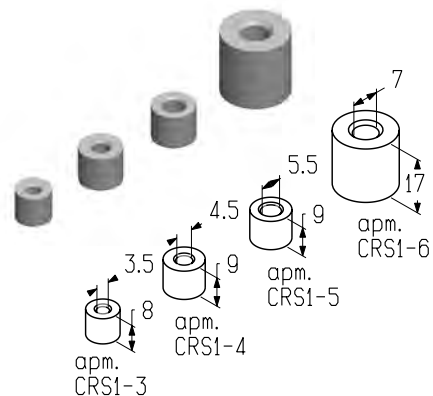


Зажим

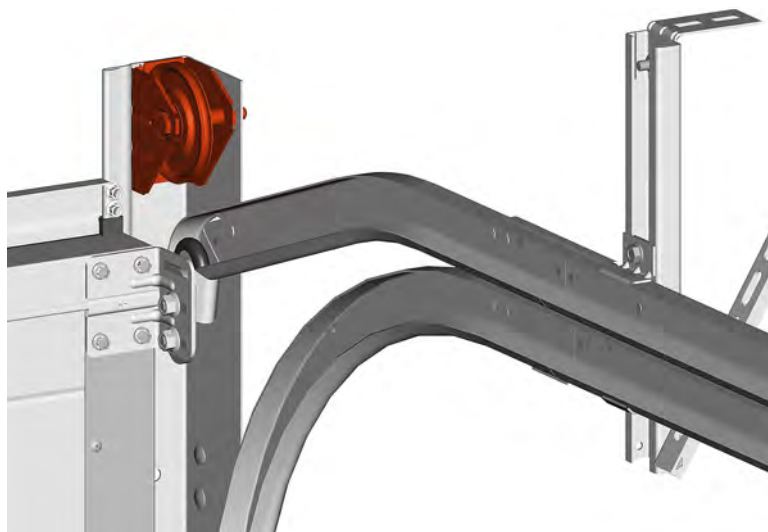
Предназначен для заделки троса.

Материал алюминий
 Единица измерения шт.
 Норма поставки, шт. 1000

Артикул	Код	Диаметр троса (d), мм	Вес, кг/шт.
CRS1-3	403940400	3	0,001
CRS1-4	403940500	4	0,002
CRS1-5	403940600	5	0,002
CRS1-6	403940700	6	0,004



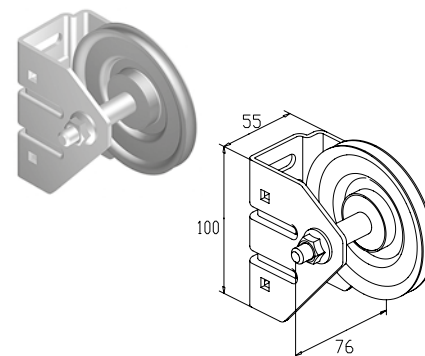
ШКИВЫ И КРОНШТЕЙНЫ ДЛЯ УСТАНОВКИ ТОРСИОННОГО ВАЛА



Кронштейн шкива

Предназначен для установки троса Ø3, 4, 5 мм.
Используется в промышленных воротах низкого и наклонного низкого типов монтажа

Внешний диаметр, мм	100
Материал	оцинкованная сталь
Вес, кг/шт.	0,629
Единица измерения	шт.
Норма поставки, шт.	50

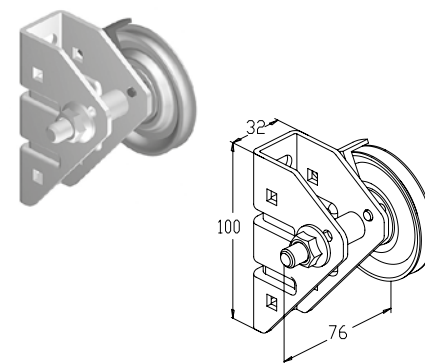


Артикул	Код	Применение
PB-3007IR	403410700	Правый
PB-3007IL	403410600	Левый

Кронштейн шкива

Предназначен для установки троса Ø3 мм.
Используется в гаражных воротах с торсионными пружинами низкого типа монтажа.

Внешний диаметр, мм	68
Материал	оцинкованная сталь
Вес, кг/шт.	0,490
Единица измерения	шт.
Норма поставки, шт.	50



Артикул	Код	Применение
PB-3008GR	403410500	Правый
PB-3008GL	403410400	Левый

ШКИВЫ И КРОНШТЕЙНЫ ДЛЯ УСТАНОВКИ ТОРСИОННОГО ВАЛА

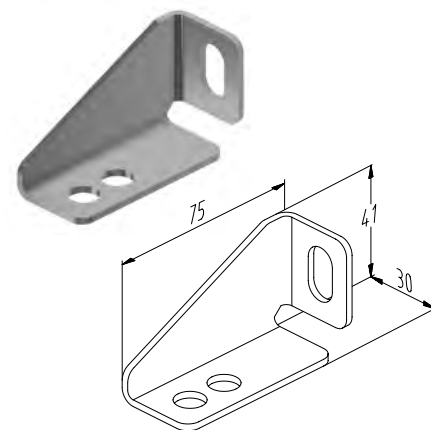


**Установка кронштейна шкива
на угловую стойку промышленных ворот**

Кронштейн шкива усиливающий

Применяется для усиления крепления шкива на угловой стойке в промышленных воротах низкого и наклонного низкого типов монтажа.

Материал оцинкованная сталь
Вес, кг/шт. 0,083
Единица измерения шт.
Норма поставки, шт. 1

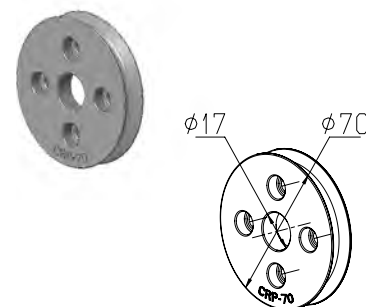


Артикул	Код
PB-3010	403410800

Шкив

Предназначен для установки троса.
Используется в промышленных воротах низкого типа монтажа с передним расположением вала (тип 2).

Материал стеклонаполненный полиамид
Внешний диаметр, мм 70
Вес, кг/шт. 0,041
Единица измерения шт.
Норма поставки, шт. 2



Артикул	Код
CRP-70	418700488

ШКИВЫ И КРОНШТЕЙНЫ ДЛЯ УСТАНОВКИ ТОРСИОННОГО ВАЛА

КРОНШТЕЙН ПРОМЕЖУТОЧНЫЙ

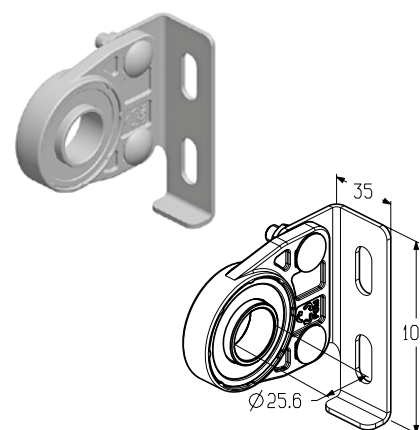
Кронштейн промежуточный
(IBB-4501)Кронштейн промежуточный
(IBB-4502)

Кронштейн промежуточный

Предназначен для установки торсионного вала. Используется в гаражных воротах с торсионными пружинами стандартного типа монтажа шириной до 5000 мм.

Материал оцинкованная сталь+РОМ
Вес, кг/шт. 0,326
Единица измерения шт.
Норма поставки, шт. 70

Артикул	Код
IBB-4501	403431100



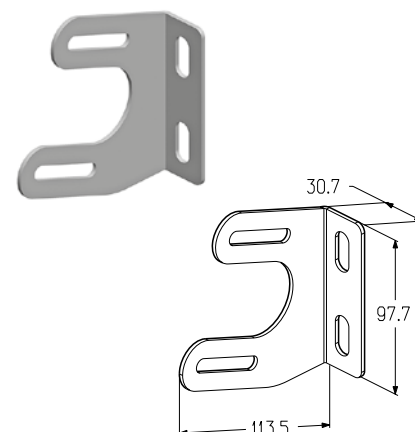
Кронштейн промежуточный

Предназначен для установки торсионного вала. Устанавливается совместно с подшипником (BV0401) и корпусом подшипника (BR0400).

Используется в гаражных воротах с торсионными пружинами стандартного типа монтажа шириной более 5000 мм.

Материал оцинкованная сталь
Вес, кг/шт. 0,170
Единица измерения шт.
Норма поставки, шт. 100

Артикул	Код
IBB-4502	403431200

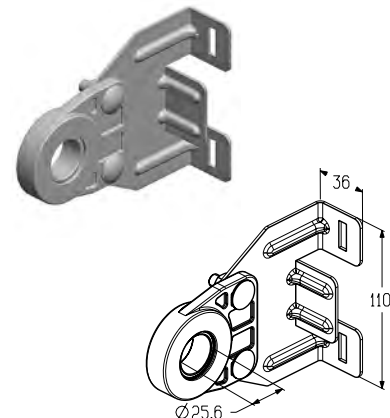


ШКИВЫ И КРОНШТЕЙНЫ ДЛЯ УСТАНОВКИ ТОРСИОННОГО ВАЛА

Кронштейн промежуточный

Предназначен для установки торсионного вала.
Используется в гаражных воротах с торсионными пружинами низкого типа монтажа шириной до 5000 мм.

Материал оцинкованная сталь+ПОМ
Вес, кг/шт. 0,381
Единица измерения шт.
Норма поставки, шт. 40

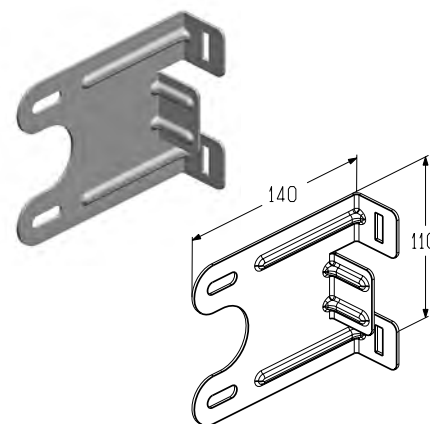


Артикул	Код
TBV-4505	403431500

Кронштейн промежуточный

Предназначен для установки торсионного вала. Устанавливается совместно с подшипником (BV0401) и корпусом подшипника (BR0400).
Используется в гаражных воротах с торсионными пружинами низкого типа монтажа шириной более 5000 мм.

Материал оцинкованная сталь
Вес, кг/шт. 0,255
Единица измерения шт.
Норма поставки, шт. 100



Артикул	Код
IBV-4510	403432300

ШКИВЫ И КРОНШТЕЙНЫ ДЛЯ УСТАНОВКИ ТОРСИОННОГО ВАЛА

КРОНШТЕЙН ПРОМЕЖУТОЧНЫЙ



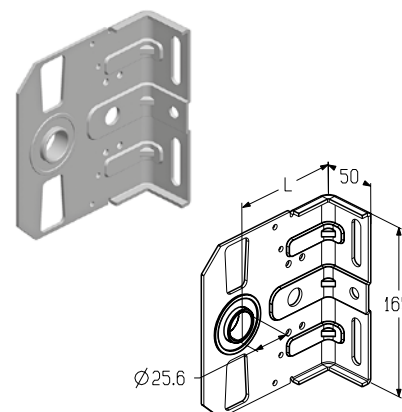
Кронштейн промежуточный

Предназначен для установки торсионного вала.

Используется в гаражных воротах высокого типа монтажа (IB-111M) и промышленных воротах всех типов монтажа.

Материал оцинкованная сталь
Диаметр вала, мм 25,4
Единица измерения шт.

Артикул	Код	Размер (L), мм	Вес, кг/шт.	Норма поставки, шт.
IB-111M	403432000	111	0,681	30
IB-127M	403432100	127	0,855	
IB-152M	403432200	152	1,211	20



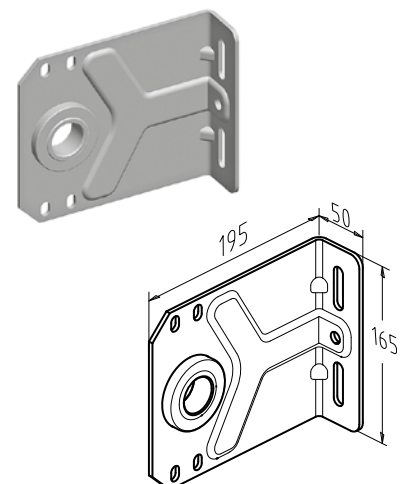
Кронштейн промежуточный

Предназначен для установки торсионного вала.

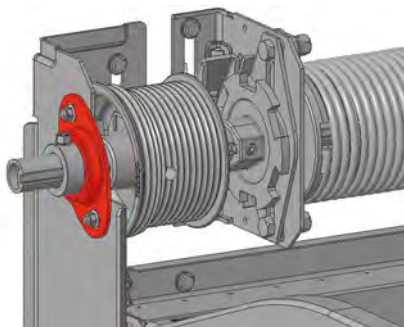
Используется в промышленных воротах всех типов монтажа.

Материал оцинкованная сталь
Диаметр вала, мм 31,75
Вес, кг/м 1,168
Единица измерения шт.
Норма поставки, шт. 15

Артикул	Код
IB-152-5/4	403430600



ШКИВЫ И КРОНШТЕЙНЫ ДЛЯ УСТАНОВКИ ТОРСИОННОГО ВАЛА



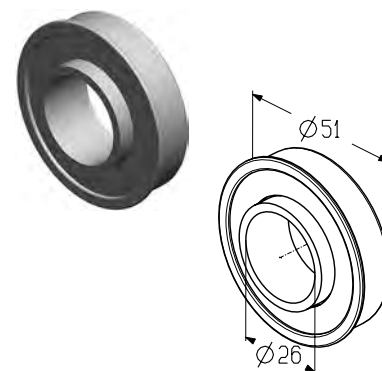
Подшипник

Предназначен для установки совместно с корпусом подшипника (**BR0400**).

Используется:

- в гаражных воротах с торсионными пружинами стандартного и низкого типов монтажа;
- в промышленных воротах низкого типа монтажа с передним расположением вала (тип 2).

Вес, кг/шт. 0,112
Единица измерения шт.
Норма поставки, шт. 200



Артикул	Код
BB0401	403910000

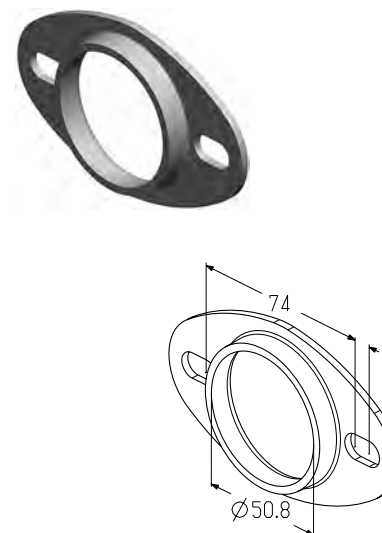
Корпус подшипника

Предназначен для установки совместно с подшипником (**BB0401**).

Используется:

- в гаражных воротах с торсионными пружинами стандартного и низкого типов монтажа;
- в промышленных воротах низкого типа монтажа с передним расположением вала (тип 2).

Материал оцинкованная сталь
Вес, кг/шт. 0,118
Единица измерения шт.
Норма поставки, шт. 200



Артикул	Код
BR0400	403920000

ШКИВЫ И КРОНШТЕЙНЫ ДЛЯ УСТАНОВКИ ТОРСИОННОГО ВАЛА

Подшипник

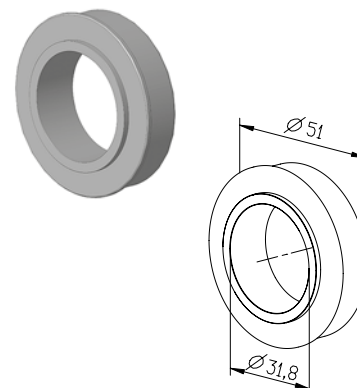
Применяется совместно с корпусом **BR0400**.

Используется в промышленных воротах низкого типа монтажа с передним расположением вала (тип 2).

Вес, кг/шт. 0,064

Единица измерения шт.

Норма поставки, шт. 1



Артикул	Код
BB4011	418700505

1.1

1.2

1.3

1.4

1.5

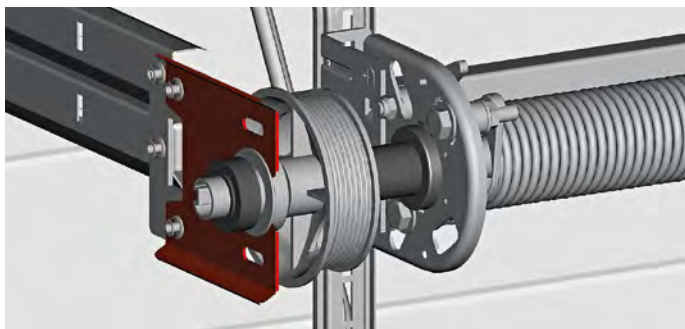
2

3

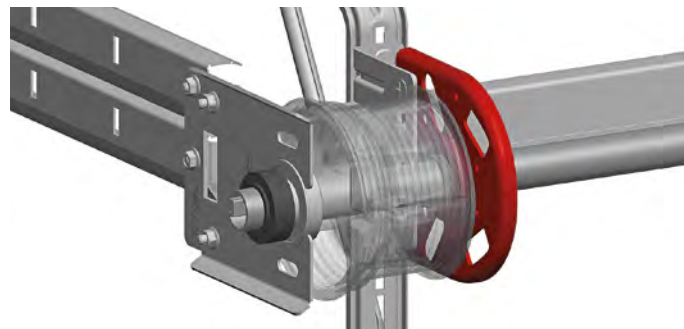
4

ШКИВЫ И КРОНШТЕЙНЫ ДЛЯ УСТАНОВКИ ТОРСИОННОГО ВАЛА

КРОНШТЕЙН БОКОВОЙ



**Кронштейн боковой
(ТВТ-4503)**



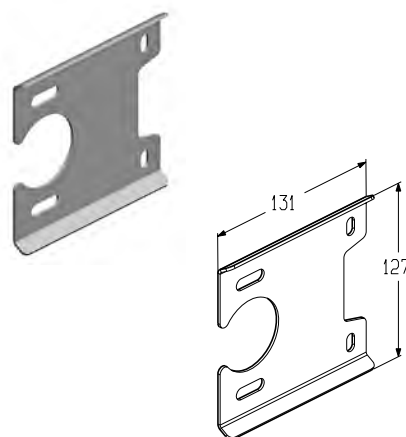
**Кронштейн боковой
(ТВ-4507)**

Кронштейн боковой

Предназначен для установки торсионного вала.
Применяется в гаражных воротах с торсионными пружинами низкого типа монтажа.

Материал оцинкованная сталь
Вес, кг/шт. 0,158
Единица измерения шт.
Норма поставки, шт. 100

Артикул	Код
TBT-4503	403431300

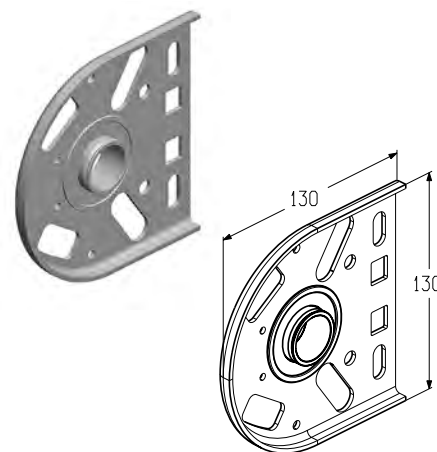


Кронштейн боковой

Предназначен для установки торсионного вала.
Применяется в гаражных воротах с одной торсионной пружиной для всех типов монтажа.

Материал оцинкованная сталь
Вес, кг/шт. 0,395
Единица измерения шт.
Норма поставки, шт. 60

Артикул	Код
TB-4507	403431600



ШКИВЫ И КРОНШТЕЙНЫ ДЛЯ УСТАНОВКИ ТОРСИОННОГО ВАЛА

КРОНШТЕЙН ПРОМЕЖУТОЧНЫЙ

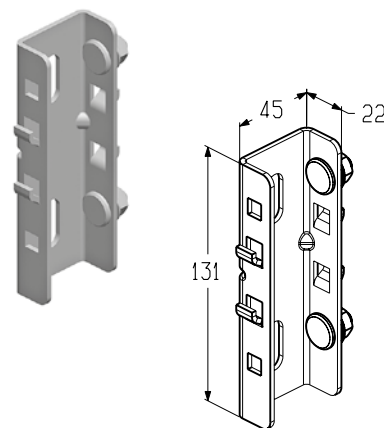
Кронштейн промежуточный
(IB-4508)Кронштейн промежуточный
(IB-4509)

Кронштейн промежуточный

Предназначен для крепления муфты храповой предохранительной (SBD-TR/SBD-TL) к проему.
Применяется в гаражных воротах с торсионными пружинами в количестве 3 и более при стандартном типе монтажа.

Материал	оцинкованная сталь
Вес, кг/шт.	0,248
Единица измерения	шт.
Норма поставки, шт.	108

Артикул	Код
IB-4508	403431700

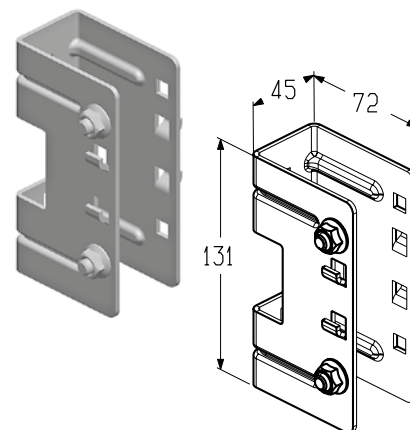


Кронштейн промежуточный

Предназначен для крепления муфты храповой предохранительной (SBD-TR/SBD-TL) к мерной планке. Применяется в гаражных воротах с торсионными пружинами в количестве 3 и более при низком типе монтажа.

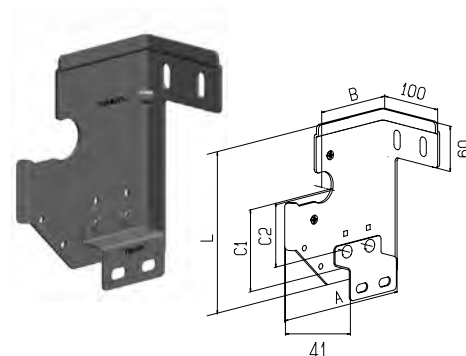
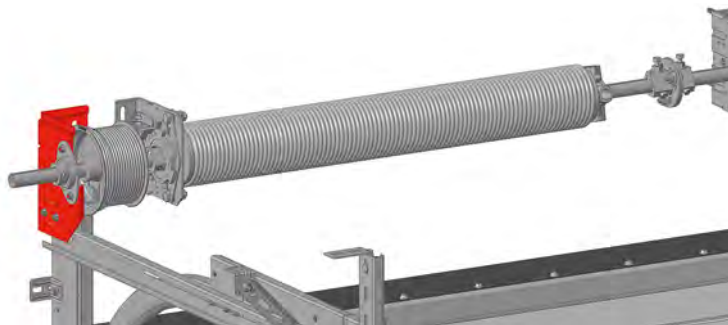
Материал	оцинкованная сталь
Вес, кг/шт.	0,397
Единица измерения	шт.
Норма поставки, шт.	48

Артикул	Код
IB-4509	403431800



ШКИВЫ И КРОНШТЕЙНЫ ДЛЯ УСТАНОВКИ ТОРСИОННОГО ВАЛА

КРОНШТЕЙН ОПОРНЫЙ ДЛЯ ВАЛА



Кронштейн опорный для вала

Предназначен для установки торсионного вала.

Материал оцинкованная сталь
 Единица измерения шт.
 Норма поставки, шт. 1

Артикул	Код	Барабан	Основные размеры, мм					Диаметр вала (d), мм	Вес, кг/шт.	Применение
			A	B	C1	C2	L			
TBI-810L	406136816	CD012N	166	111	82,5	—	190	25,4	0,923	• для промышленных ворот стандартного и наклонного типов монтажа
TBI-810R	406136817									
TBI-820L	406136818	CD012N CD018N CD054H	166	111	105,5	82,5	210	25,4	0,986	• для гаражных ворот высокого типа монтажа; • для промышленных ворот стандартного, наклонного типов монтажа; • для промышленных ворот наклонного высокого, высокого с верхним расположением вала типов монтажа
TBI-820R	406136819									
TBI-830L	406136820	CD032N CD120H	182	127	142,5	124,5	268	25,4	1,348	• для гаражных ворот высокого типа монтажа; • для промышленных ворот стандартного, наклонного типов монтажа; • для промышленных ворот высокого, наклонного высокого, вертикального типов монтажа с верхним расположением вала
TBI-830R	406136821									
TBI-840L	406136822	CD0164H CD018V	207	152	150	—	296,5	25,4	1,765	• для промышленных ворот высокого, наклонного высокого, вертикального типов монтажа с верхним расположением вала
TBI-840R	406136823							31,75		

ШКИВЫ И КРОНШТЕЙНЫ ДЛЯ УСТАНОВКИ ТОРСИОННОГО ВАЛА

Кронштейн опорный для вала

Предназначен для установки торсионного вала.

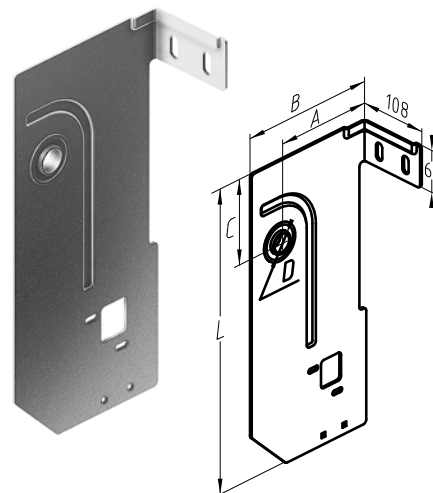
Используется в промышленных воротах низкого с передним расположением вала типом монтажа.

Материал оцинкованная сталь

Единица измерения шт.

Норма поставки, шт. 1

Артикул	Код	Вес, кг/шт.	Основные размеры				Диаметр (d), мм
			A	B	C	L	
TBI-600R	403424400	1,212	86	125	80	330	25,4
TBI-600L	403424300						
TBI-610R	403424600	1,616	111	150	115	425	25,4
TBI-610L	403424500						
TBI-630R	406136698	2,222	152	200	115	435	25,4
TBI-630L	406136697						
TBI-640R	406136700	2,222	152	200	115	435	31,75
TBI-640L	406136699						



Кронштейн опорный для вала

Предназначен для установки торсионного вала.

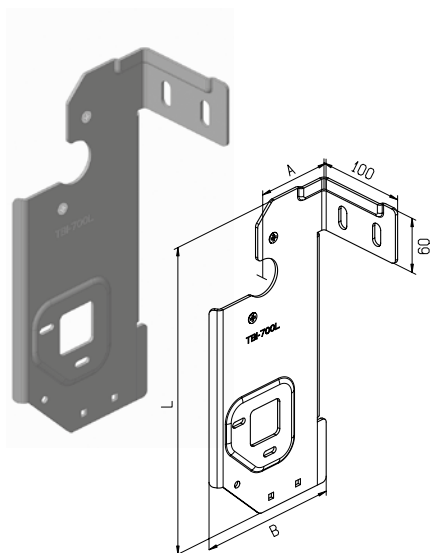
Применяется в промышленных воротах низкого типа монтажа с передним расположением вала (тип 2).

Материал оцинкованная сталь

Единица измерения шт.

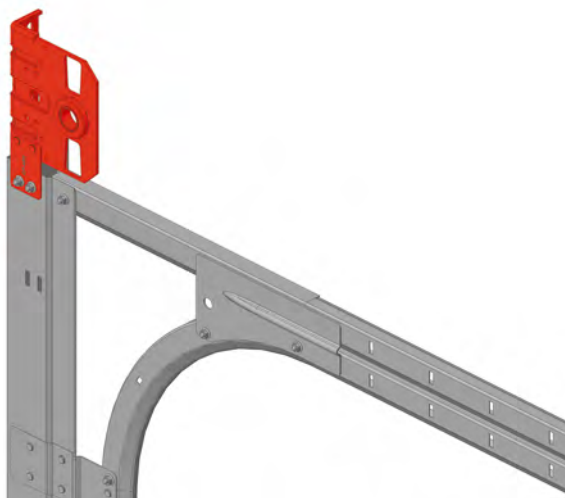
Норма поставки, шт. 1

Артикул	Код	Вес, кг/шт.	Основные размеры		
			A	B	L
TBI-700L	406136806	1,075	86	149	340
TBI-700R	406136807				
TBI-710L	406136808	1,225	111	159	355
TBI-710R	406136809				
TBI-730L	406136810	1,914	152	204	435
TBI-730R	406136811				



ШКИВЫ И КРОНШТЕЙНЫ ДЛЯ УСТАНОВКИ ТОРСИОННОГО ВАЛА

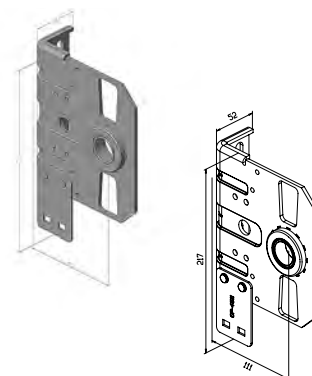
КРОНШТЕЙН БОКОВОЙ ДЛЯ ГАРАЖНЫХ ВОРОТ СЕРИИ TREND



Кронштейн опорный для вала

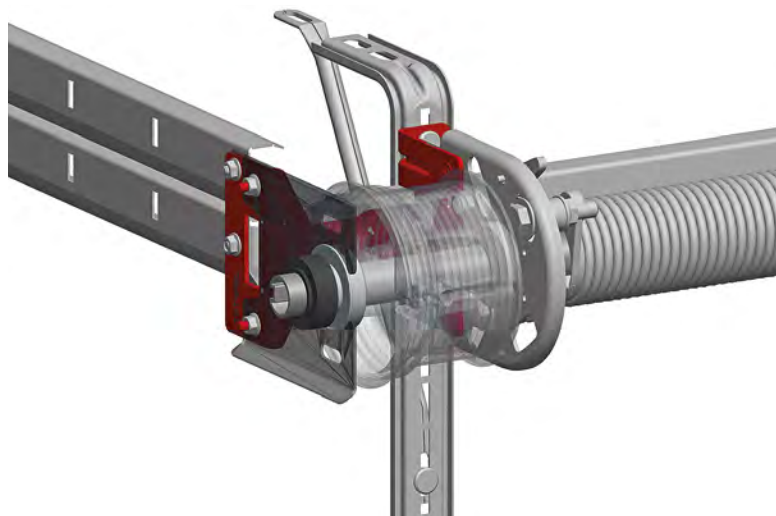
Предназначен для установки торсионного вала.
Применяется в гаражных воротах высокого типа монтажа.

Материал оцинкованная сталь
Вес, кг/шт. 0,736
Единица измерения шт.
Норма поставки, шт. 20



Артикул	Код	Применение
TBI-4512R	403424700	Правый
TBI-4512L	403424800	Левый

ШКИВЫ И КРОНШТЕЙНЫ ДЛЯ УСТАНОВКИ ТОРСИОННОГО ВАЛА

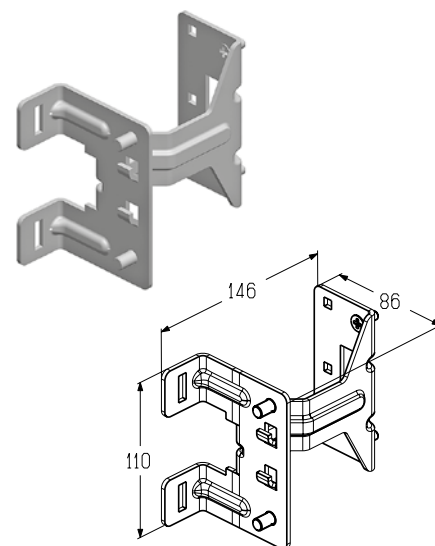


Кронштейн

Предназначен для крепления горизонтальных направляющих к мерной планке и для крепления торсионного вала.

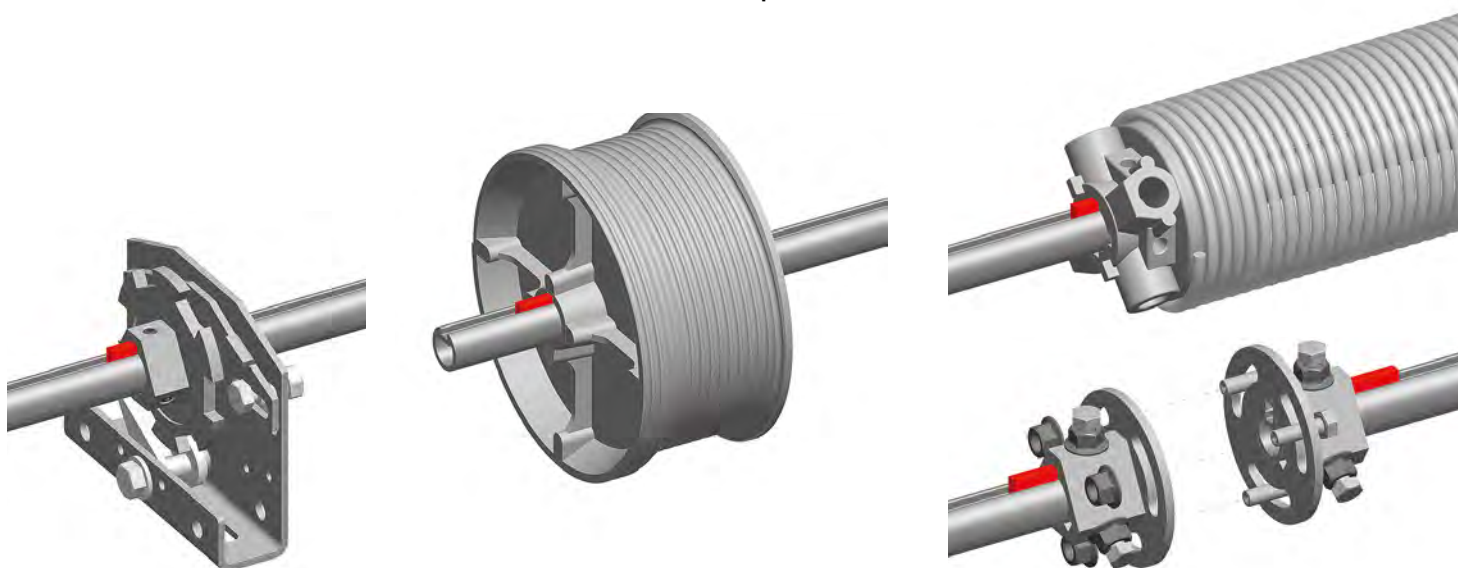
Используется в гаражных воротах с торсионными пружинами низкого типа монтажа.

Материал оцинкованная сталь
 Вес, кг/шт. 0,440
 Единица измерения шт.
 Норма поставки, шт. 20



Артикул	Код	Применение
ТВТ-916L	402611700	Левый
ТВТ-916R	402611800	Правый

ШПОНКИ И КОЛЬЦА СТОПОРНЫЕ



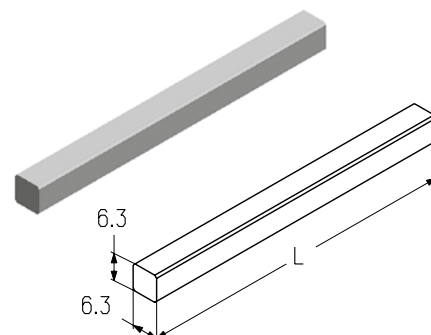
Шпонка

Предназначена для установки на вал сплошной (**TSS, TSS-5/4**).

Материал оцинкованная сталь

Единица измерения шт.

Артикул	Код	Длина (L), мм	Вес, кг/шт.	Применение	Норма поставки, шт.
SKS-38	403970000	38	0,015	Устанавливается в храповую и соединительную муфты	1000
SKS-75	403970100	75	0,026	Устанавливается в барабан и наконечник пружинный (SF-95, SF-152, SF-152-5/4)	800



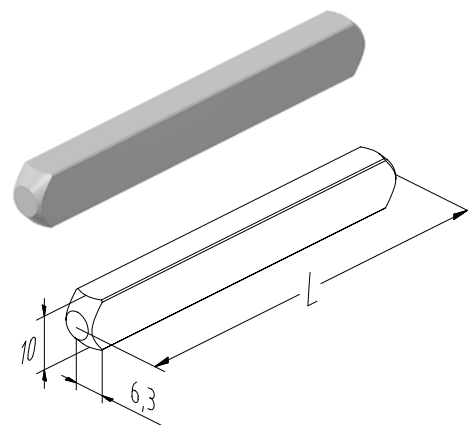
Шпонка

Предназначена для установки на вал пустотелый (**TSH**).

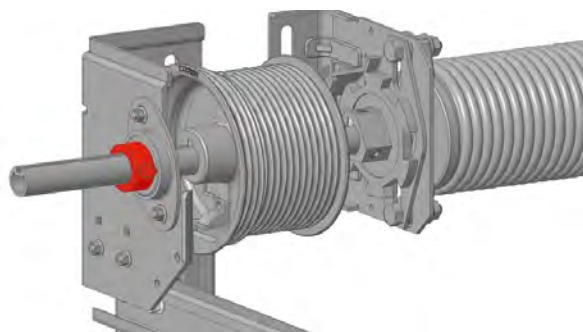
Материал оцинкованная сталь

Единица измерения шт.

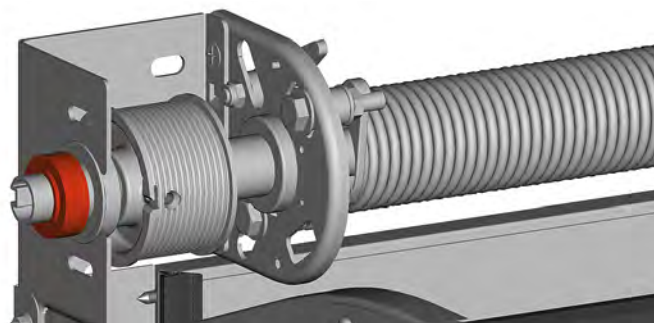
Артикул	Код	Длина (L), мм	Вес, кг/шт.	Применение	Норма поставки, шт.
SKH-38	403970200	38	0,017	Устанавливается в храповую и соединительную муфты	1200
SKH-75x10	418700327	75	0,036	Устанавливается в барабан и наконечник пружинный (SF-95, SF-152, SF-152-5/4)	600



ШПОНКИ И КОЛЬЦА СТОПОРНЫЕ



Установка кольца промышленных ворот



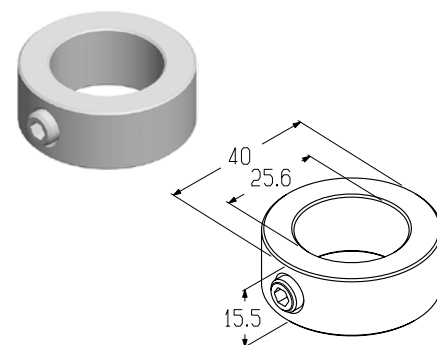
Установка кольца гаражных ворот

Кольцо

Предназначено для установки на вал диаметром 25,4 мм (TSS) промышленных ворот всех типов монтажа, гаражных ворот с торсионными пружинами всех типов монтажа. Предотвращает осевое смещение вала.

Материал оцинкованная сталь
 Вес, кг/шт. 0,090
 Единица измерения шт.
 Норма поставки, шт. 200

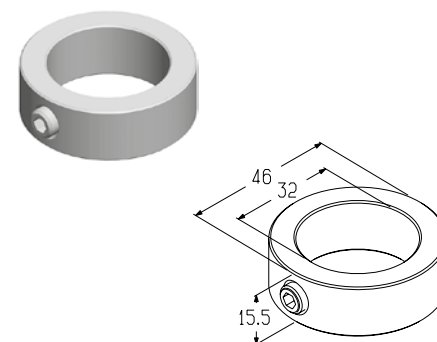
Артикул	Код
SCI-1	403960000

**Кольцо**

Предназначено для установки на вал диаметром 31,75 мм промышленных ворот всех типов монтажа. Предотвращает осевое смещение вала.

Материал оцинкованная сталь
 Вес, кг/шт. 0,100
 Единица измерения шт.
 Норма поставки, шт. 100

Артикул	Код
SCI-5/4	403960100



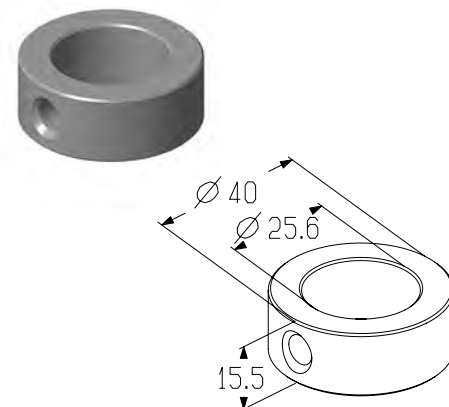
ШПОНКИ И КОЛЬЦА СТОПОРНЫЕ

Кольцо

Предназначено для установки на вал диаметром 25,4 мм (**TSH**) промышленных ворот всех типов монтажа и гаражных ворот с торсионными пружинами всех типов монтажа.
Предотвращает осевое смещение вала.

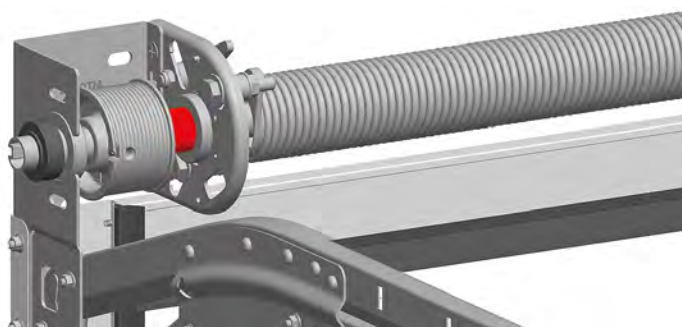
Материал оцинкованная сталь
 Вес, кг/шт. 0,088
 Единица измерения шт.
 Норма поставки, шт. 200

Артикул	Код
SCU-25	418700429



ШПОНКИ И КОЛЬЦА СТОПОРНЫЕ

КОЛЬЦО ДИСТАНЦИОННОЕ

**Кольцо дистанционное**

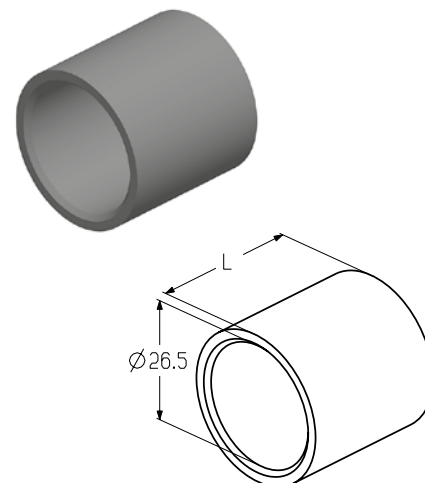
Применяется для установки на вал диаметром 25,4 мм гаражных ворот с торсионными пружинами всех типов монтажа.

Предназначен для позиционирования барабана (**CD010N** и **CD012N**) относительно муфты храповой предохранительной (**SBD-TR/SBD-TL**).

Материал PE-HD

Вес, кг/шт. 0,001

Единица измерения шт.



Артикул	Код	Длина (L), мм	Применение	Норма поставки, шт.
DR-CD010	403961100	32	Совместно с барабаном (CD010N)	5200
DR-CD012	403961200	6	Совместно с барабаном (CD012N)	6000

1.1

1.2

1.3

1.4

1.5

2

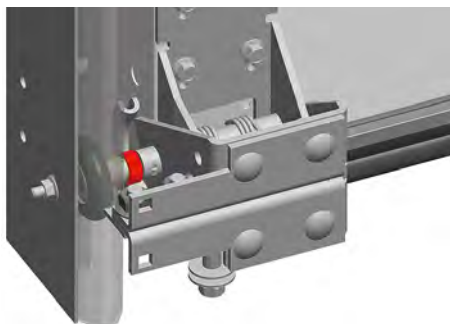
3

4

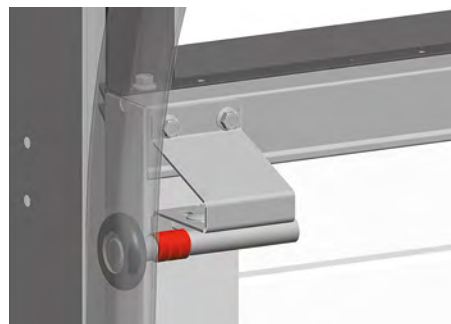
2

Дополнительная
комплектация

УСТАНОВКА КОЛЕЦ ДИСТАНЦИОННЫХ



Кронштейн нижний



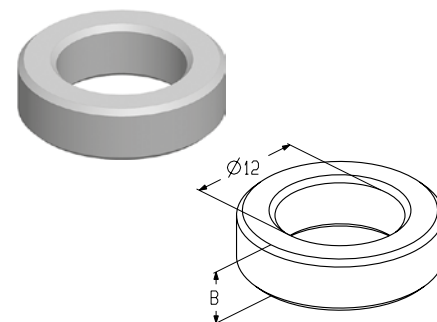
Кронштейн верхний

Кольцо дистанционное

Предназначено для установки на ролики ходовые кронштейна верхнего (**RBI-40.127**) и кронштейна нижнего (**RBI-45.100R/L**, **RBI-40.110R/L**, **RBI-40.110DR/L**).

Используется в гаражных воротах высокого типа монтажа, промышленных воротах всех типов монтажа, кроме низкого с передним расположением вала (тип 2).

Внутренний диаметр, мм 12
 Материал оцинкованная сталь
 Единица измерения шт.
 Норма поставки, шт. 200



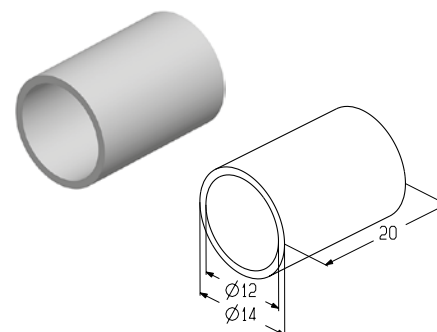
Артикул	Код	Ширина (B), мм	Вес, кг/шт.
DR-12-05	403960600	5	0,004
DR-12-07	403960700	7	0,006
DR-12-10	403960800	10	0,008

Втулка

Предназначена для предохранения троса от истирания. Устанавливается на ролики ходовые первого и второго снизу кронштейна бокового (**RBI-40.123**).

Используется в промышленных воротах высокого, вертикального, наклонного высокого типов монтажа с нижним расположением вала.

Материал ПВХ
 Вес, кг/шт. 0,154
 Единица измерения шт.
 Норма поставки, шт. 50



Артикул	Код
10500	403900000

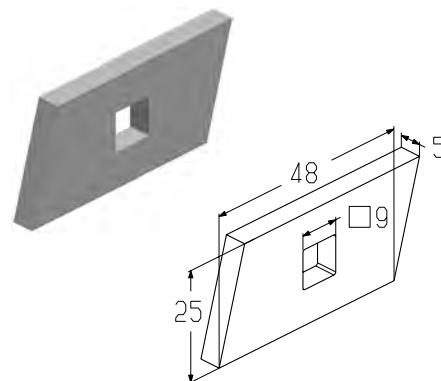
УСТАНОВКА КОЛЕЦ ДИСТАНЦИОННЫХ

Пластина закладная

Предназначена для:

- крепления демпфера к горизонтальным направляющим в промышленных воротах всех типов монтажа;
- крепления блоков **НКУ001** и **НКУ-002** в гаражных воротах с пружинами растяжения и торсионными пружинами всех типов монтажа, промышленных воротах всех типов монтажа, кроме вертикального, высокого, наклонного высокого с нижним расположением вала.

Материал оцинкованная сталь
 Вес, кг/шт. 0,043
 Единица измерения шт.
 Норма поставки, шт. 100



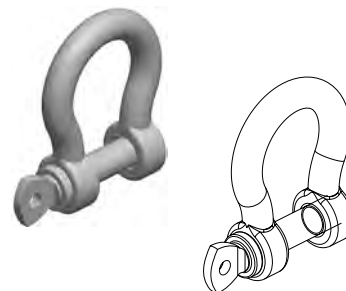
Артикул	Код
CP0506	403900100

Петля

Предназначена для крепления веревки (**105610**) к профилю угловому.

Используется в промышленных воротах всех типов монтажа, кроме низкого и наклонного низкого.

Материал оцинкованная сталь
 Вес, кг/шт. 0,027
 Единица измерения шт.
 Норма поставки, шт. 100



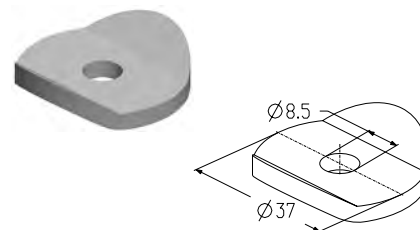
Артикул	Код
S0504	403900900

Крепление

Предназначено для крепления веревки (**105610**) к кронштейну нижнему.

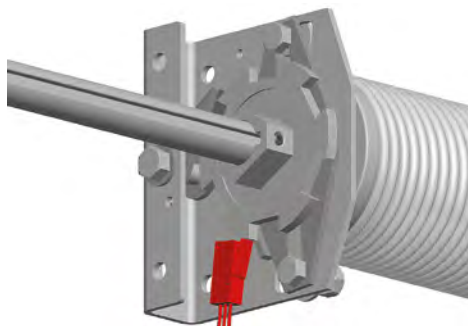
Используется в промышленных воротах всех типов монтажа.

Материал оцинкованная сталь
 Вес, кг/шт. 0,037
 Единица измерения шт.
 Норма поставки, шт. 100



Артикул	Код
RC0505	403901000

УСТАНОВКА ДАТЧИКОВ БЕЗОПАСНОСТИ

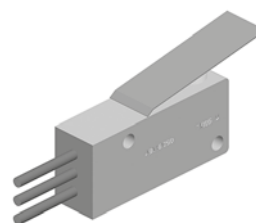


Микрореле

Предназначено для остановки электропривода при поломке пружины. Устанавливается совместно с муфтой храповой предохранительной.

Используется в промышленных воротах всех типов монтажа.

Вес, кг/шт. 0,023
 Единица измерения шт.
 Норма поставки, шт. 50



Артикул	Код
SS0402	403900200

1.1

1.2

1.3

1.4

1.5

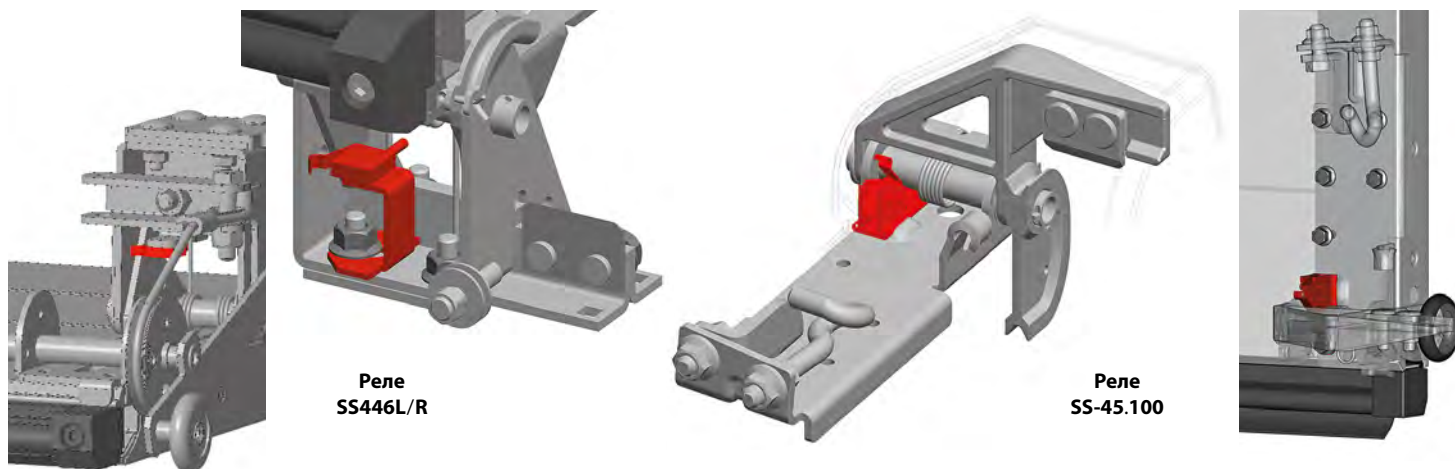
2

3

4

УСТАНОВКА ДАТЧИКОВ БЕЗОПАСНОСТИ

НА КРОНШТЕЙНЫ НИЖНИЕ



Реле
SS446L/R

Реле
SS-45.100

Реле

Предназначено для остановки электропривода при обрыве троса. Устанавливается совместно с кронштейном нижним (**RBI-40.110L/R, RBI-40.110DL/R, RBI-40.120L/R, RBI-40.120DL/R, RBI-40.200L/R**).

Используется в промышленных воротах всех типов монтажа.

Вес, кг/шт. 0,042
Единица измерения шт.
Норма поставки, шт. 25



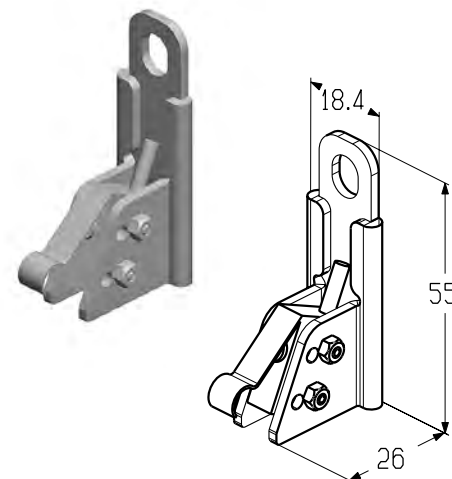
Артикул	Код	Применение
SS446L	403900300	Левое
SS446R	403900400	Правое

Реле

Предназначено для остановки электропривода при обрыве троса. Устанавливается совместно с кронштейном нижним (**RBI-45.100R/L**).

Используется в промышленных воротах всех типов монтажа, кроме низкого с передним расположением вала (тип 2).

Вес, кг/шт. 0,037
Единица измерения шт.
Норма поставки, шт. 200



Артикул	Код
SS-45.100	418700330

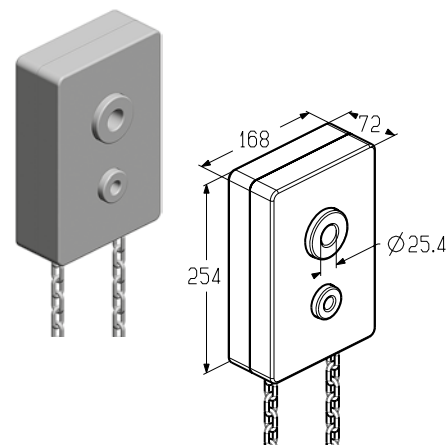
УСТАНОВКА ДАТЧИКОВ БЕЗОПАСНОСТИ

Редуктор цепной

Предназначен для подъема/опускания полотна ворот.
Используется в промышленных воротах всех типов монтажа.

Вес, кг/шт. 9,00
Единица измерения шт.
Норма поставки, шт. 1

Артикул	Код
CH-5010	418700449

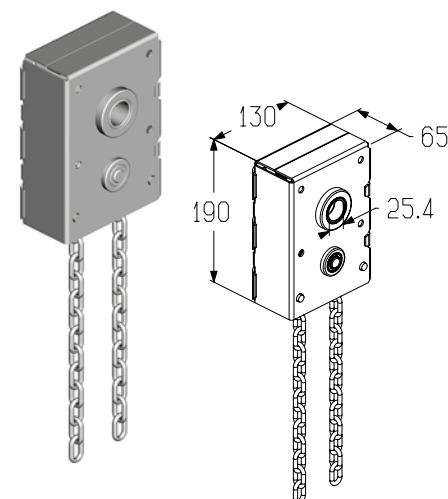


Редуктор цепной для гаражных ворот

Предназначен для подъема/опускания полотна ворот.
Используется в гаражных воротах с торсионными пружинами всех типов монтажа.

Вес, кг 5,80
Единица измерения шт.
Норма поставки, шт. 1

Артикул	Код
CH-5013	403903000

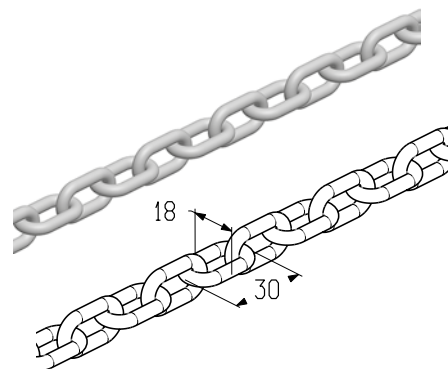


Цепь

Предназначена для удлинения цепи редуктора цепного (**CH-5010** и **CH-5013**).
Используется в промышленных и гаражных воротах всех типов монтажа.

Материал оцинкованная сталь
Вес, кг/м 0,50
Единица измерения м
Норма поставки, м 25

Артикул	Код
C0504	418700477



УСТАНОВКА ДАТЧИКОВ БЕЗОПАСНОСТИ

Веревка

Предназначена для опускания полотна ворот. Используется в гаражных и промышленных воротах всех типов монтажа.

Вес, кг/м 0,04
 Единица измерения м
 Норма поставки, м 250



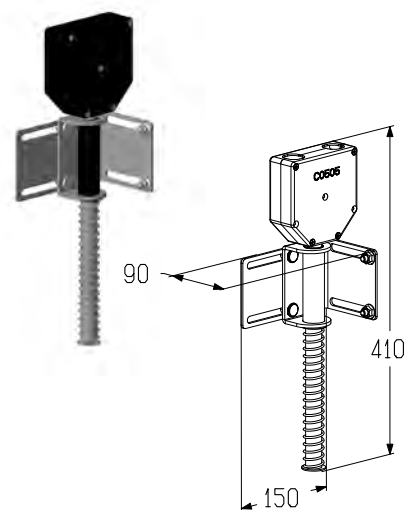
Артикул	Код
105610	4000607

Натяжитель цепи

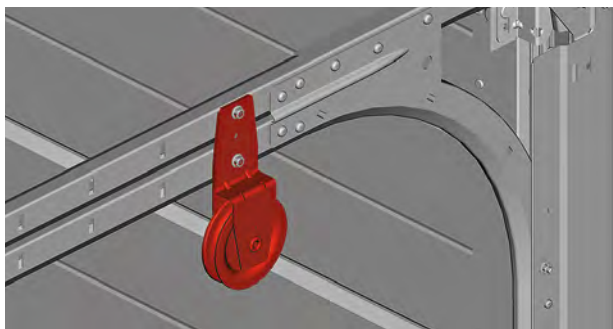
Предназначен для фиксации положения цепи с целью исключения ее попадания в подвижные рабочие узлы и повышения безопасности эксплуатации ворот. Применяется совместно с редуктором для гаражных (CH-5013) и промышленных (CH-5010) ворот.

Материал оцинкованная сталь
 Вес, кг/шт. 1,40
 Единица измерения шт.
 Норма поставки, м 1

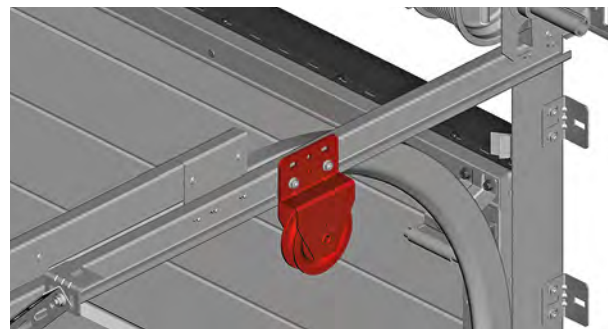
Артикул	Код
C0505	418700422



УСТАНОВКА БЛОКА



Блок (HKU-002) для гаражных ворот



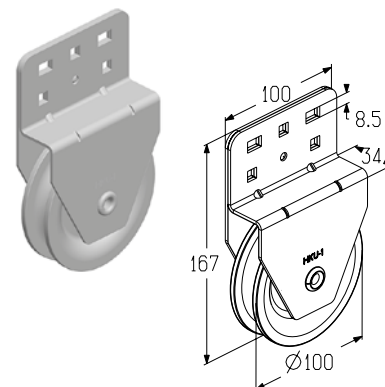
Блок (HKU001) для промышленных ворот

Блок

Предназначен для подъема/опускания полотна ворот.
Используется в промышленных воротах всех типов монтажа.

Вес, кг/шт. 0,61
Единица измерения шт.
Норма поставки, шт. 10

Артикул	Код
HKU001	403900800

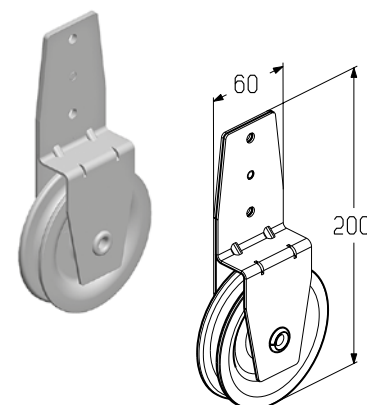


Блок

Предназначен для подъема/опускания полотна ворот.
Используется в гаражных воротах с пружинами растяжения и торсионными пружинами всех типов монтажа.

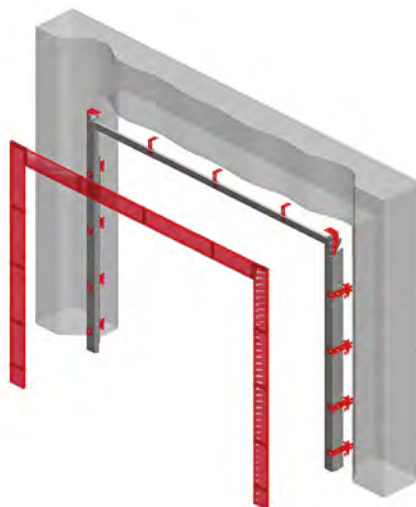
Вес, кг/шт. 0,40
Единица измерения шт.
Норма поставки, шт. 54

Артикул	Код
HKU-002	403902300



УСТАНОВКА КОМПЛЕКТА ВСТРОЕННОГО МОНТАЖА

МОНТАЖ В ПРОЕМЕ



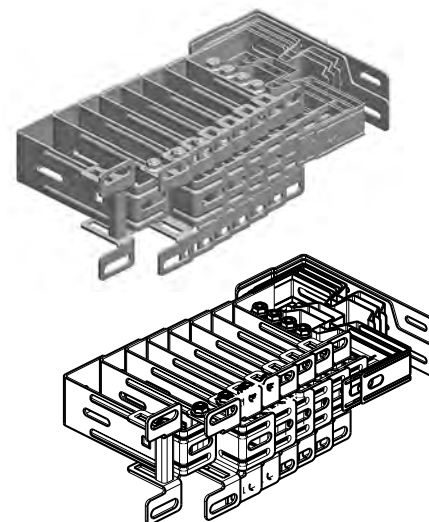
Комплект кронштейнов

Предназначен для крепления углового профиля (**PRG-30L/R**) и профиля переднего (**PRG-35**) к проему. Входит в состав комплекта встроенного монтажа **FWO100/145-40** и **FWO145/145-40**. Используется в гаражных воротах с пружинами растяжения и торсионными пружинами низкого типа монтажа.

Состав комплекта:

- кронштейн профиля углового (**B-3510FWO**) — 8 шт.;
- кронштейн профиля углового (**B-3511FWOL**) — 1 шт.;
- кронштейн профиля углового (**B-3511FWOR**) — 1 шт.;
- кронштейн профиля переднего (**B-3512FWO**) — 3 шт. (монтаж перед проемом)
или кронштейн профиля переднего (**B-3513FWO**) — 3 шт. (монтаж в проеме).

Вес, кг/шт. 4,69
Единица измерения шт.
Норма поставки, шт. 1



Артикул	Код
FWO100/145B-40	402952300

Комплект крепежный

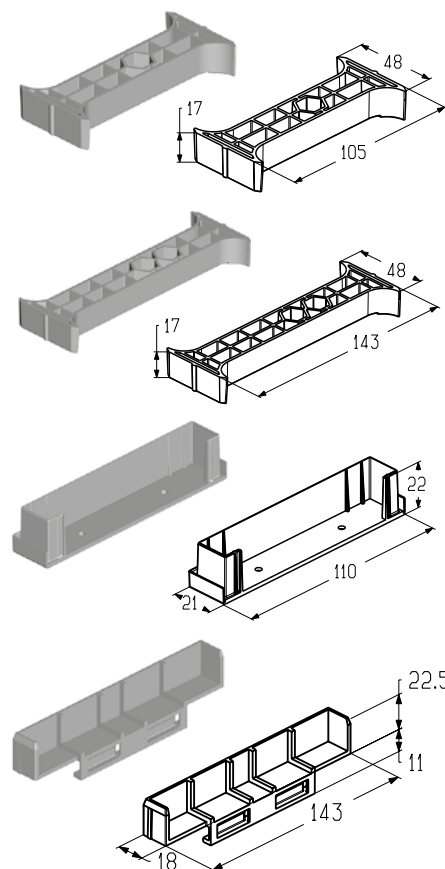
Предназначен для крепления комплекта нащельников (**FWO100C**) к угловому профилю (**PRG-30L/R**).
Входит в состав комплекта встроенного монтажа **FWO100/145-40**.
Используется в гаражных воротах с пружинами растяжения и торсионными пружинами низкого типа монтажа.

Состав комплекта:

- сухарь для крепления боковых нащельников (8 шт.);
- сухарь для крепления профиля переднего (4 шт.);
- заглушка для нащельников (4 шт.);
- заглушка для верхнего нащельника (2 шт.).

Вес, кг/шт. 0,53
Единица измерения шт.
Норма поставки, шт. 1

Артикул	Код
FWO100F	402950800



Комплект крепежный

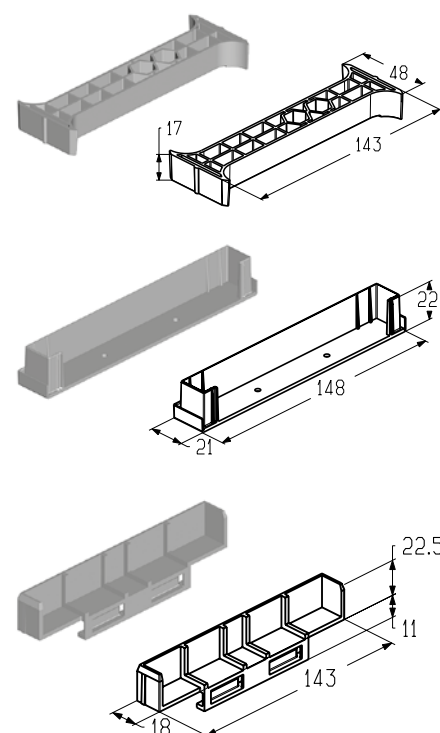
Предназначен для крепления комплекта нащельников (**FWO145C**) к угловому профилю (**PRG-30L/R**).
Входит в состав комплекта встроенного монтажа **FWO145/145-40**.
Используется в гаражных воротах с пружинами растяжения и торсионными пружинами низкого типа монтажа.

Состав комплекта:

- сухарь для крепления верхнего и боковых нащельников (12 шт.);
- заглушка для нащельников (4 шт.);
- заглушка для верхнего нащельника (2 шт.).

Вес, кг/шт. 0,58
Единица измерения шт.
Норма поставки, шт. 1

Артикул	Код
FWO145F	402951200



Комплект нащельников

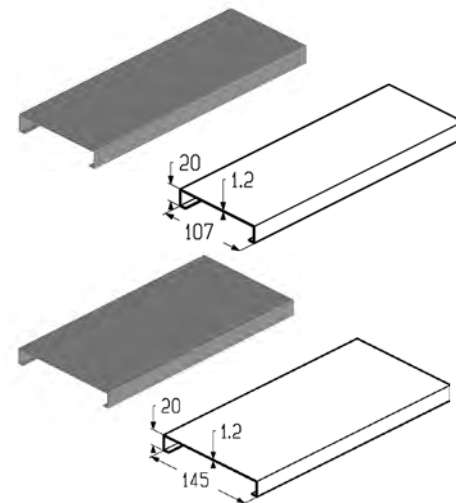
Предназначен для установки совместно с угловым профилем (**PRG-30L/R**). Входит в состав комплекта встроенного монтажа **FWO100/145-40**.

Используется в гаражных воротах с пружинами растяжения и торсионными пружинами низкого типа монтажа.

Состав комплекта:

- профиль воротный **PRD33** (боковой нащельник 2 шт.);
- профиль воротный **PRD34** (верхний нащельник 1 шт.).

Материал алюминий
 Покрытие полимерное
 Цвет* RAL 9016, RAL 8014, RAL 8017, ADS703
 Единица измерения к-т
 Норма поставки, к-т 1



Артикул	Код
FWO100C	402950900

Комплект нащельников

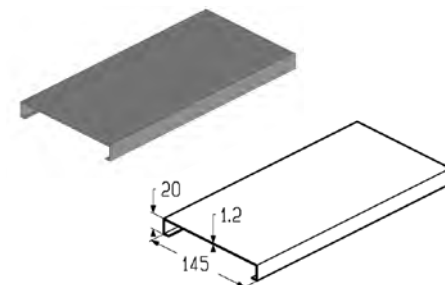
Предназначен для установки совместно с угловым профилем (**PRG-30L/R**). Входит в состав комплекта встроенного монтажа **FWO145/145-40**.

Используется в гаражных воротах с пружинами растяжения и торсионными пружинами низкого типа монтажа.

Состав комплекта:

- профиль воротный **PRD34** (верхний нащельник 1 шт., боковой нащельник 2 шт.).

Материал алюминий
 Покрытие полимерное
 Цвет* RAL 9016, RAL 8014, RAL 8017, ADS703
 Единица измерения к-т
 Норма поставки, к-т 1

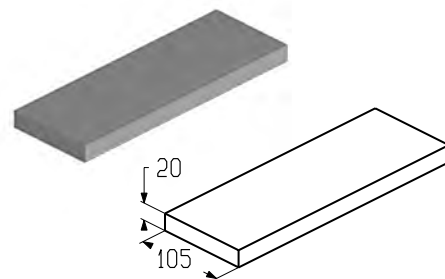


Артикул	Код
FWO145C	402951300

Утеплитель

Предназначен для установки совместно с комплектом нащельников (**FWO100C**).

Материал вспененный полиэтилен
 Вес, кг/м 0,07
 Единица измерения м
 Норма поставки, м 50

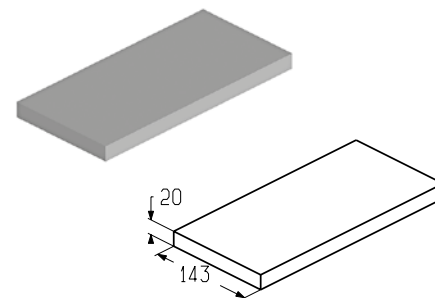


Артикул	Код
FWO100H	402951700

Утеплитель

Предназначен для установки совместно с комплектом нащельников (FWO145C).

Материал вспененный полиэтилен
 Вес, кг/м 0,10
 Единица измерения м
 Норма поставки, м 50



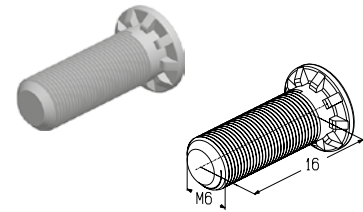
Артикул	Код
FWO145H	402951800

З

Метизы

Болт М6×16

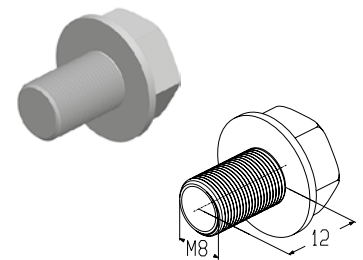
Резьба	M6
Длина, мм	16
Материал	оцинкованная сталь
Вес, кг/шт.	0,007
Единица измерения	шт.
Норма поставки, шт.	5000



Артикул	Код
M6x16BP	408320100

Болт

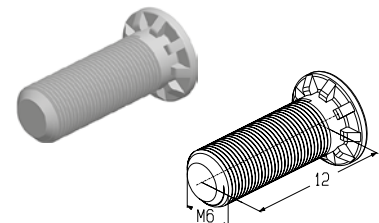
Резьба	M8
Длина, мм	12
Материал	оцинкованная сталь
Вес, кг/шт.	0,001
Единица измерения	шт.
Норма поставки, шт.	1800



Артикул	Код
M8x12B	408320300

Пресс-болт

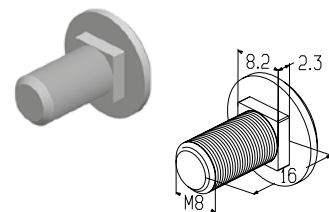
Резьба	M6
Длина, мм	12
Материал	оцинкованная сталь
Вес, кг/шт.	0,024
Единица измерения	шт.
Норма поставки, шт.	10000



Артикул	Код
M6x12BP	408320500

Болт М8×16

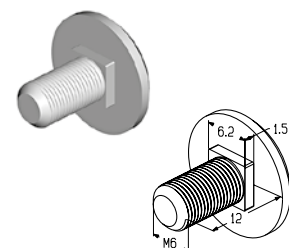
Резьба	M8
Длина, мм	16
Материал	оцинкованная сталь
Вес, кг/шт.	0,006
Единица измерения	шт.
Норма поставки, шт.	2500



Артикул	Код
M8x16BKL	408320800

Болт

Резьба	M6
Длина, мм	12
Материал	оцинкованная сталь
Вес, кг/шт.	0,008
Единица измерения	шт.
Норма поставки, шт.	3000

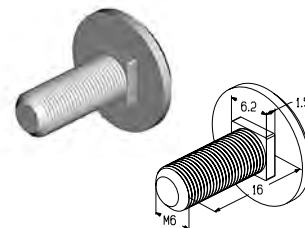


Артикул	Код
M6x12BKL	408321000

Болт

Резьба	M6
Длина, мм	16
Материал	оцинкованная сталь
Вес, кг/шт.	0,006
Единица измерения	шт.
Норма поставки, шт.	3500

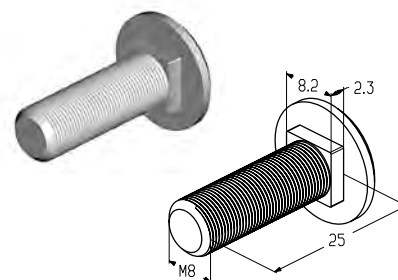
Артикул	Код
M6×16BKL	408310200



Болт

Резьба	M8
Длина, мм	25
Материал	оцинкованная сталь
Вес, кг/шт.	0,012
Единица измерения	шт.
Норма поставки, шт.	1500

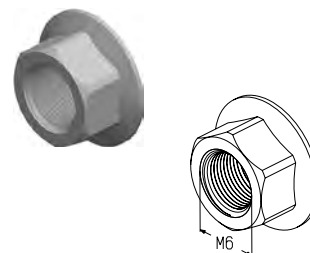
Артикул	Код
M8×25BKL	408310500



Гайка M6

Резьба	M6
Материал	оцинкованная сталь
Вес, кг/шт.	0,003
Единица измерения	шт.
Норма поставки, шт.	7000

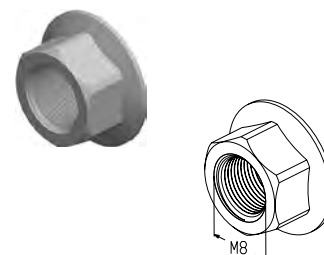
Артикул	Код
M6N	408120100



Гайка M8

Резьба	M8
Материал	оцинкованная сталь
Вес, кг/шт.	0,007
Единица измерения	шт.
Норма поставки, шт.	3500

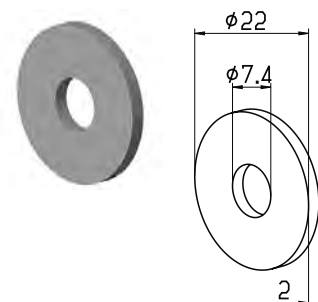
Артикул	Код
M8N	408120200



Шайба

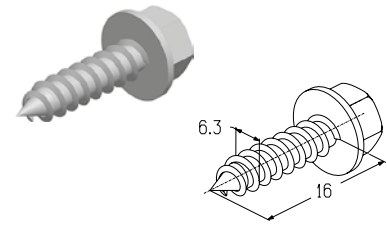
Материал	оцинкованная сталь
Вес, кг/шт.	0,005
Единица измерения	шт.
Норма поставки, шт.	10

Артикул	Код
M7 DIN9021	419410189



Винт самонарезающий 6,3×16

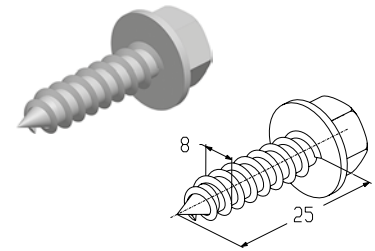
Диаметр, мм	6,3
Длина, мм	16
Материал	оцинкованная сталь с антикоррозийной химической конверсионной пленкой и термообработанным керамическим слоем
Вес, кг/шт.	0,006
Единица измерения	шт.
Норма поставки, шт.	3500



Артикул	Код
6,3×16S	408020100

Винт самонарезающий

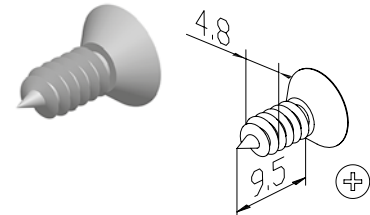
Диаметр, мм	8
Длина, мм	25
Материал	оцинкованная сталь
Вес, кг/шт.	0,013
Единица измерения	шт.
Норма поставки, шт.	1000



Артикул	Код
8×25S	408020200

Винт самонарезающий DIN7982

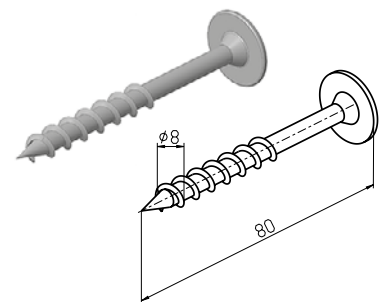
Диаметр, мм	4,8
Длина, мм	9,5
Материал	оцинкованная сталь
Вес, кг/шт.	0,003
Единица измерения	шт.
Норма поставки, шт.	13000



Артикул	Код
4,8×9,5SDX	408620000

Саморез по дереву TOR×40 8×80

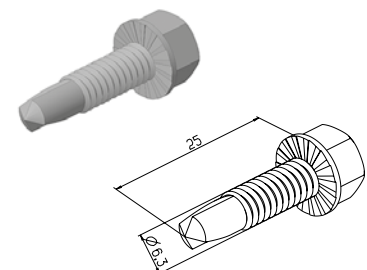
Диаметр, мм	8
Длина, мм	80
Материал	оцинкованная сталь
Вес, кг/шт.	0,001
Единица измерения	шт.
Норма поставки, шт.	10



Артикул	Код
8×80S	419410165

Саморез 6,3×25 DIN7504K

Диаметр, мм	6,3
Длина, мм	25
Материал	оцинкованная сталь
Вес, кг/шт.	0,008
Единица измерения	шт.
Норма поставки, шт.	10

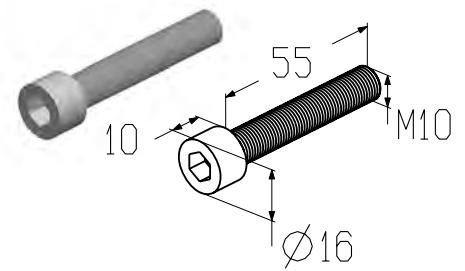


Артикул	Код
6,3×25SDR	419410154

Винт DIN912

Резьба	M10
Длина, мм	55
Материал	оцинкованная сталь
Вес, кг/шт.	0,037
Единица измерения	шт.
Норма поставки, шт.	1000

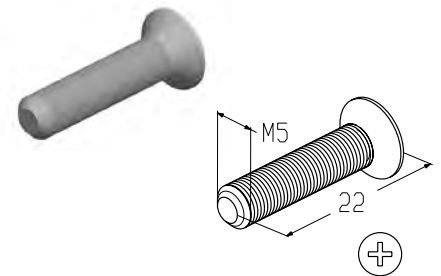
Артикул	Код
M10×55SCOL	408020800



Винт DIN965

Резьба	M5
Длина, мм	22
Материал	оцинкованная сталь
Вес, кг/шт.	0,003
Единица измерения	шт.
Норма поставки, шт.	800

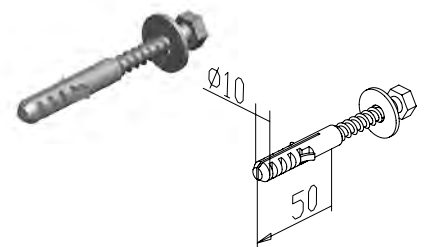
Артикул	Код
M5×22SDX	408020900



Дюбель

Диаметр, мм	10
Длина, мм	50
Материал	нейлон/оцинкованная сталь
Вес, кг/шт.	0,023
Единица измерения	шт.
Норма поставки, шт.	1000

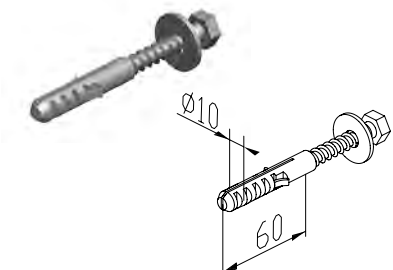
Артикул	Код
10×50D	408800100



Дюбель

Диаметр, мм	10
Длина, мм	60
Материал	нейлон/оцинкованная сталь
Вес, кг/шт.	0,023
Единица измерения	шт.
Норма поставки, шт.	1000

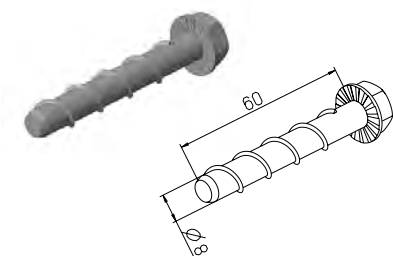
Артикул	Код
SXR 10×60 FUS	408800600



Анкер-шуруп CS-H 8×60

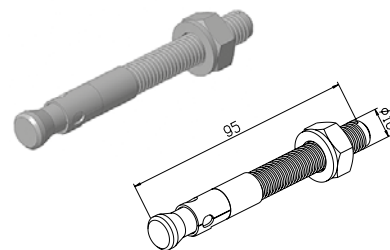
Диаметр, мм	8
Длина, мм	60
Материал	сталь
Вес, кг/шт.	0,030
Единица измерения	шт.
Норма поставки, шт.	10

Артикул	Код
8×60STX	419410168



Анкерный болт с гайкой SHF 10×95

Диаметр, мм	10
Длина, мм	95
Материал	нержавеющая сталь
Вес, кг/шт.	0,067
Единица измерения	шт.
Норма поставки, шт.	10



Артикул	Код
10×95A	419410167

1.1

1.2

1.3

1.4

1.5

2

3

4

4

Ремонтные узлы

ПРАВИЛА ПРИ ЗАКАЗЕ РЕМОНТНЫХ УЗЛОВ

В данной части каталога размещена информация о типовых ремонтных узлах для секционных ворот. Ремонтный узел является индивидуальным изделием, т.к. заказывается для конкретных ворот. В каталоге представлен типовой состав каждого ремонта, который может изменяться (но в пределах описанного состава) в зависимости от ворот, для которых он предназначен.

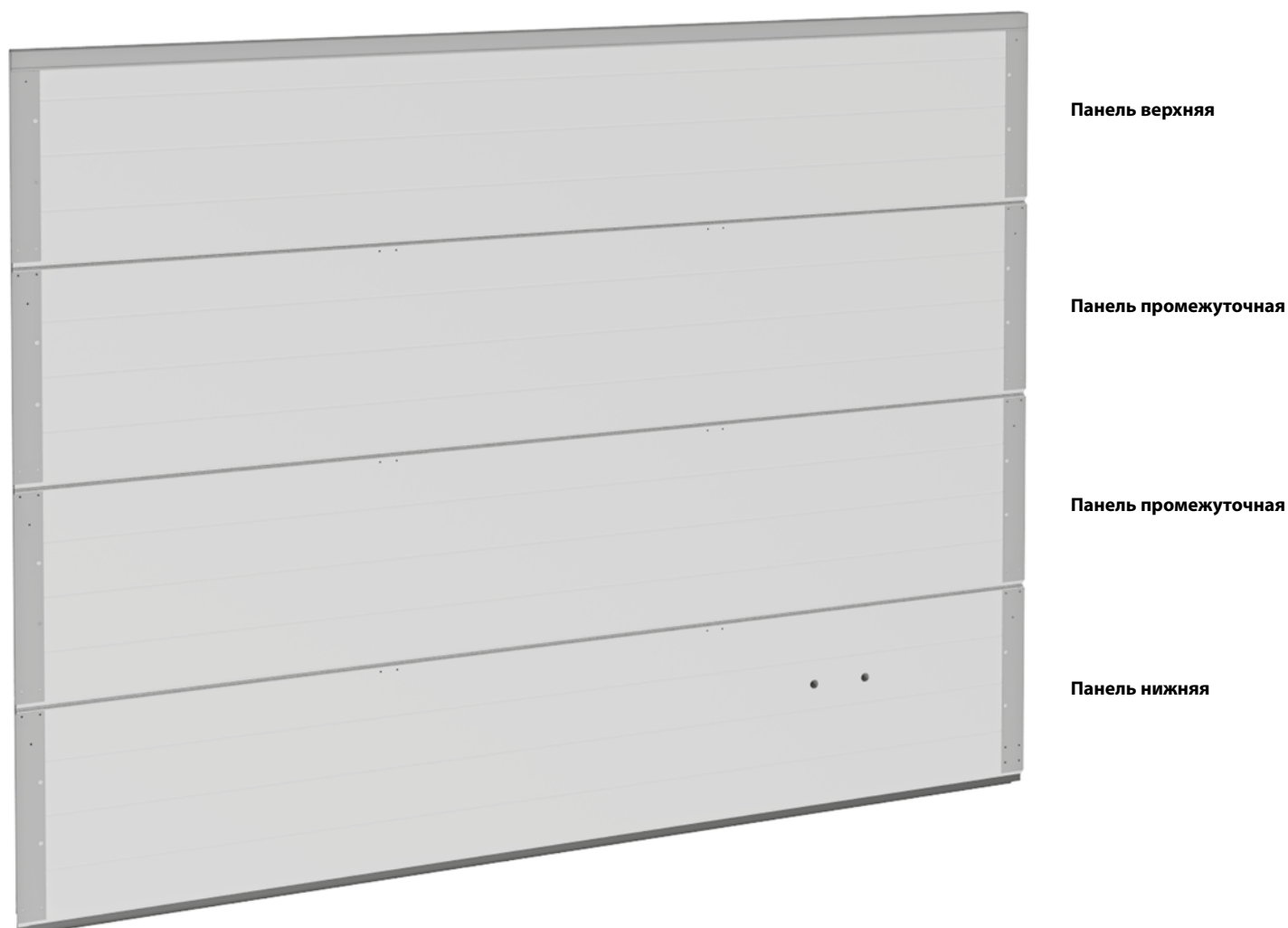
ПРИ ЗАКАЗЕ РЕМОНТНОГО УЗЛА НЕОБХОДИМО УКАЗАТЬ:

1. Заводской номер ворот, указанный на табличке изделия.
2. Описание требуемого ремонтного узла.
3. Артикул и наименование ремонтного узла.

 				
ООО "Алютек Воротные Системы" 223016, Минская обл., Минский р-н, Новодворский с/с, д.Королицевичи, ул.Свислочская, 5-310; Тел.: +375 (017) 330-11-00				
ВОРОТА СЕКЦИОННЫЕ ПОДЪЕМНЫЕ ТУ РБ 101452725.002-2000				
Тип:	СП.Р.Trend-TS.Г			
Заказ:	AS 8196184			
Заводской №:	10525402003088			
Размер ворот, мм:	2700x2500			
Масса полотна ворот, кг:	75			
Сопротивление теплопередаче, м ² К/Вт:	0.63			
Число оборотов пружин:	9 ± 1			
Ресурс пружин, циклы:	25000			
d, мм	U, мм	L, мм	Напр.	тип
5	51	520	R	Regular
5	51	520	L	Regular
Дата производства:		22.05.2025		

ПОЛОТНО ВОРОТ БЕЗ КАЛИТКИ

ТИПОВАЯ КОНСТРУКЦИЯ ПОЛОТНА ВОРОТ БЕЗ КАЛИТКИ



ПОЛОТНО ВОРОТ БЕЗ КАЛИТКИ

Полотно воротное

Тип ворот:

- гаражные ворота Trend с торсионными пружинами без калитки всех типов монтажа;
- гаражные ворота Trend с пружинами растяжения;
- промышленные ворота ProTrend без калитки всех типов монтажа.

Состав: сэндвич-панели с боковыми накладками, профиль усиливающий (при ширине ворот от 5000 мм^{***}), верхний и нижний концевые профили, нижняя уплотнительная вставка, упоры нижние.

Единица измерения шт.



Артикул	Тип полотна	Цвет*
GLG-3T	Микроволна woodgrain	RAL 9016, 9006, 8017, 8014, 7016, 6005, 5010, 3004, 1015, ADS703**
	S-гофр woodgrain	RAL 9016, 9006, 9005, 8017, 8014, 7024, 7016, 7004, 6005, 5010, 3004, 1015, ADS703**
	S-гофр smooth	Golden Oak, Dark Oak
	M-гофр woodgrain	RAL 9016, 9005, 8017**
	M-гофр smooth	RAL 9016, 7024, 7016** Golden Oak, Dark Oak
	L-гофр woodgrain	RAL 9016, 9005, 8017**
	L-гофр smooth	RAL 9016, 9005, 8017, 7024, 7016, ADS703** Golden Oak, Dark Oak
	Микроволна woodgrain, S-, M-, L-гофр woodgrain/smooth	Другие цвета по каталогу RAL*, DB
GLG-4T	Филенка woodgrain	RAL 9016, 8014** Golden Oak, Dark Oak
		Другие цвета по каталогу RAL*, DB

Полотно воротное (фасадная система)

Тип ворот:

- гаражные ворота Trend с торсионными пружинами без калитки всех типов монтажа;
- гаражные ворота Trend с пружинами растяжения;
- промышленные ворота ProTrend без калитки всех типов монтажа.

Состав: сэндвич-панели с боковыми накладками, профиль усиливающий (при ширине ворот от 5000 мм^{***}), верхний и нижний концевые профили, нижняя уплотнительная вставка, упоры нижние.

Единица измерения шт.



Артикул	Тип полотна	Цвет*
GLG-3T	Микроволна woodgrain	RAL 9016, 9006, 8017, 8014, 7016, 6005, 5010, 3004, 1015, ADS703**
	S-гофр woodgrain	RAL 9016, 9006, 9005, 8017, 8014, 7024, 7016, 7004, 6005, 5010, 3004, 1015, ADS703**
	S-гофр smooth	Golden Oak, Dark Oak
	M-гофр woodgrain	RAL 9016, 9005, 8017**
	M-гофр smooth	RAL 9016, 7024, 7016** Golden Oak, Dark Oak
	L-гофр woodgrain	RAL 9016, 9005, 8017**
	L-гофр smooth	RAL 9016, 9005, 8017, 7024, 7016, ADS703** Golden Oak, Dark Oak
	Микроволна woodgrain, S-, M-, L-гофр woodgrain/smooth	Другие цвета по каталогу RAL*, DB

* Указанные в формате RAL **** цвета имеют близкое соответствие шкале RAL.

** Стандартные цвета.

***Для ворот высоких и вертикальных типов монтажа усиливающие профили устанавливаются при ширине ворот от 4505 мм включительно. При наличии усиливающих профилей в исходном изделии, заказанных в качестве опции, усиливающие профили будут включены также в состав ремонтного узла.

ПОЛОТНО ВОРОТ БЕЗ КАЛИТКИ

Панель нижняя

Тип ворот:

- гаражные ворота Trend с торсионными пружинами без калитки всех типов монтажа;
- гаражные ворота Trend с пружинами растяжения;
- промышленные ворота ProTrend без калитки всех типов монтажа.

Состав: нижняя сэндвич-панель с боковыми накладками, нижний концевой профиль, нижняя уплотнительная вставка, упоры нижние.

Единица измерения шт.



Артикул	Тип полотна	Цвет*
LPU-27T	Микроволна woodgrain	RAL 9016, 9006, 8017, 8014, 7016, 6005, 5010, 3004, 1015, ADS703**
	S-гофр woodgrain	RAL 9016, 9006, 9005, 8017, 8014, 7024, 7016, 7004, 6005, 5010, 3004, 1015, ADS703**
	S-гофр smooth	Golden Oak, Dark Oak
	M-гофр woodgrain	RAL 9016, 9005, 8017**
	M-гофр smooth	RAL 9016, 7024, 7016** Golden Oak, Dark Oak
	L-гофр woodgrain	RAL 9016, 9005, 8017**
	L-гофр smooth	RAL 9016, 9005, 8017, 7024, 7016, ADS703** Golden Oak, Dark Oak
LPF-1T	Филенка woodgrain	RAL 9016, 8014** Golden Oak, Dark Oak
		Другие цвета по каталогу RAL*, DB

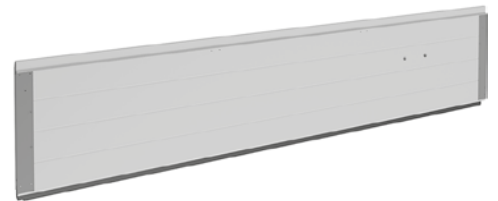
Панель нижняя (фасадная система)

Тип ворот:

- гаражные ворота Trend с торсионными пружинами без калитки всех типов монтажа;
- гаражные ворота Trend с пружинами растяжения;
- промышленные ворота ProTrend без калитки всех типов монтажа.

Состав: нижняя сэндвич-панель с боковыми накладками, нижний концевой профиль, нижняя уплотнительная вставка, упоры нижние.

Единица измерения шт.



Артикул	Тип полотна	Цвет*
LPU-27T	Микроволна woodgrain	RAL 9016, 9006, 8017, 8014, 7016, 6005, 5010, 3004, 1015, ADS703**
	S-гофр woodgrain	RAL 9016, 9006, 9005, 8017, 8014, 7024, 7016, 7004, 6005, 5010, 3004, 1015, ADS703**
	S-гофр smooth	Golden Oak, Dark Oak
	M-гофр woodgrain	RAL 9016, 9005, 8017**
	M-гофр smooth	RAL 9016, 7024, 7016** Golden Oak, Dark Oak
	L-гофр woodgrain	RAL 9016, 9005, 8017**
	L-гофр smooth	RAL 9016, 9005, 8017, 7024, 7016, ADS703** Golden Oak, Dark Oak
LPU-27T	Микроволна woodgrain, S-, M-, L-гофр woodgrain/smooth	Другие цвета по каталогу RAL*, DB

* Указанные в формате RAL **** цвета имеют близкое соответствие шкале RAL.

** Стандартные цвета.

ПОЛОТНО ВОРОТ БЕЗ КАЛИТКИ

Панель промежуточная

Тип ворот:

- гаражные ворота Trend с торсионными пружинами без калитки всех типов монтажа;
- гаражные ворота Trend с пружинами растяжения;
- промышленные ворота ProTrend без калитки всех типов монтажа.

Состав: промежуточная сэндвич-панель с боковыми накладками, профиль усиливающий (при ширине ворот от 5000 мм***).

Единица измерения шт.



Артикул	Тип полотна	Цвет*
LPU-28T	Микроволна woodgrain	RAL 9016, 9006, 8017, 8014, 7016, 6005, 5010, 3004, 1015, ADS703**
	S-гофр woodgrain	RAL 9016, 9006, 9005, 8017, 8014, 7024, 7016, 7004, 6005, 5010, 3004, 1015, ADS703**
	S-гофр smooth	Golden Oak, Dark Oak
	M-гофр woodgrain	RAL 9016, 9005, 8017**
	M-гофр smooth	RAL 9016, 7024, 7016** Golden Oak, Dark Oak
	L-гофр woodgrain	RAL 9016, 9005, 8017**
	L-гофр smooth	RAL 9016, 9005, 8017, 7024, 7016, ADS703** Golden Oak, Dark Oak
LPU-2T	Филенка woodgrain	RAL 9016, 8014** Golden Oak, Dark Oak
		Другие цвета по каталогу RAL*, DB

Панель верхняя

Тип ворот:

- гаражные ворота Trend с торсионными пружинами без калитки всех типов монтажа;
- гаражные ворота Trend с пружинами растяжения;
- промышленные ворота ProTrend без калитки всех типов монтажа.

Состав: верхняя сэндвич-панель с боковыми накладками, профиль усиливающий (при ширине ворот от 5000 мм***), верхний концевой профиль, верхний уплотнитель (Trend высокий тип монтажа, ProTrend).

Единица измерения шт.



Артикул	Тип полотна	Цвет*
LPU-29T	Микроволна woodgrain	RAL 9016, 9006, 8017, 8014, 7016, 6005, 5010, 3004, 1015, ADS703**
	S-гофр woodgrain	RAL 9016, 9006, 9005, 8017, 8014, 7024, 7016, 7004, 6005, 5010, 3004, 1015, ADS703**
	S-гофр smooth	Golden Oak, Dark Oak
	M-гофр woodgrain	RAL 9016, 9005, 8017**
	M-гофр smooth	RAL 9016, 7024, 7016** Golden Oak, Dark Oak
	L-гофр woodgrain	RAL 9016, 9005, 8017**
	L-гофр smooth	RAL 9016, 9005, 8017, 7024, 7016, ADS703** Golden Oak, Dark Oak
LPU-3T	Филенка woodgrain	RAL 9016, 8014** Golden Oak, Dark Oak
		Другие цвета по каталогу RAL*, DB

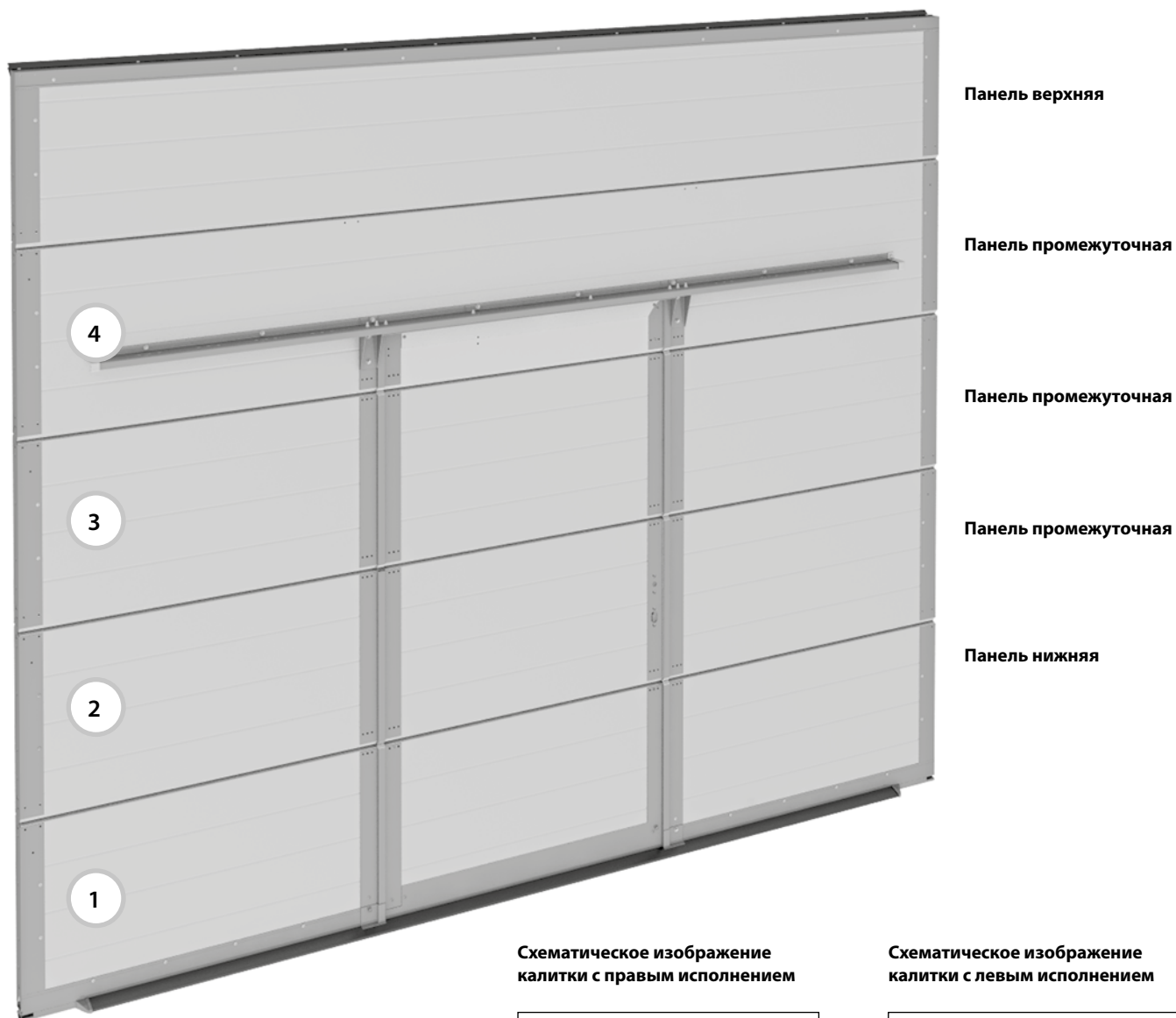
* Указанные в формате RAL **** цвета имеют близкое соответствие шкале RAL.

** Стандартные цвета.

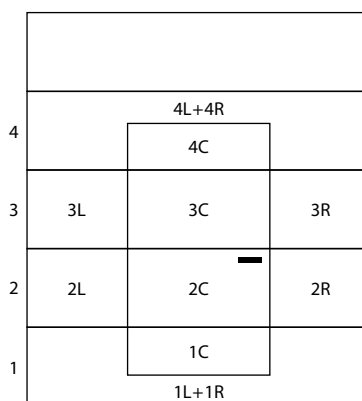
***Для ворот высоких и вертикальных типов монтажа усиливающие профили устанавливаются при ширине ворот от 4505 мм включительно. При наличии усиливающих профилей в исходном изделии, заказанных в качестве опции, усиливающие профили будут включены также в состав ремонтного узла.

ПОЛОТНО ВОРОТ С КАЛИТКОЙ

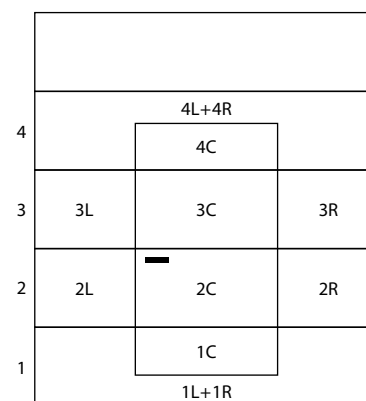
ТИПОВАЯ КОНСТРУКЦИЯ ПОЛОТНА ВОРОТ СО ВСТРОЕННОЙ КАЛИТКОЙ
(на примере калитки с плоским порогом с правым открыванием)



Схематическое изображение калитки с правым исполнением



Схематическое изображение калитки с левым исполнением



при взгляде изнутри

ПОЛОТНО ВОРОТ С КАЛИТКОЙ

Полотно воротное

Тип ворот:

- гаражные ворота Trend с торсионными пружинами всех типов монтажа;
- промышленные ворота ProTrend всех типов монтажа.

Тип калитки:

- с плоским порогом 18 мм;
- с низким порогом 100 мм,
- со стандартным порогом 145 мм.

Состав: сэндвич-панели с боковыми накладками, верхний и нижний концевые профили, нижняя уплотнительная вставка, верхняя уплотнительная вставка (Trend высокий тип монтажа, ProTrend), комплект калиточных профилей с уплотнителями, пластина соединительная (для монтажа доводчика), шина доводчика, замок калитки (корпус, планка ригеля, ригель), усиливающие профили калитки, упоры нижние, контакт калитки.

Комплект ручек и цилиндрический механизм, доводчик и тяга доводчика в ремонтный узел не входят. Накладные петли (арт. **WH-100**) входят в состав ремонта при наличии их в исходном изделии.

Единица измерения шт.

Артикул	Тип полотна	Цвет*	Применение
GLG-1T	Микроволна woodgrain	RAL 9016, 9006, 8017, 8014, 7016, 6005, 5010, 3004, 1015, ADS703**	Для ворот с правой калиткой
	S-гофр woodgrain	RAL 9016, 9006, 9005, 8017, 8014, 7024, 7016, 7004, 6005, 5010, 3004, 1015, ADS703**	
	S-гофр smooth	Golden Oak, Dark Oak	
	M-гофр woodgrain	RAL 9016, 9005, 8017**	
	M-гофр smooth	RAL 9016, 7024, 7016** Golden Oak, Dark Oak	
	L-гофр woodgrain	RAL 9016, 9005, 8017**	
	L-гофр smooth	RAL 9016, 9005, 8017, 7024, 7016, ADS703** Golden Oak, Dark Oak	
	Микроволна woodgrain, S-, M-, L-гофр woodgrain/smooth	Другие цвета по каталогу RAL*, DB	
GLG-2T	Микроволна woodgrain	RAL 9016, 9006, 8017, 8014, 7016, 6005, 5010, 3004, 1015, ADS703**	Для ворот с левой калиткой
	S-гофр woodgrain	RAL 9016, 9006, 9005, 8017, 8014, 7024, 7016, 7004, 6005, 5010, 3004, 1015, ADS703**	
	S-гофр smooth	Golden Oak, Dark Oak	
	M-гофр woodgrain	RAL 9016, 9005, 8017**	
	M-гофр smooth	RAL 9016, 7024, 7016** Golden Oak, Dark Oak	
	L-гофр woodgrain	RAL 9016, 9005, 8017**	
	L-гофр smooth	RAL 9016, 9005, 8017, 7024, 7016, ADS703** Golden Oak, Dark Oak	
	Микроволна woodgrain, S-, M-, L-гофр woodgrain/smooth	Другие цвета по каталогу RAL*, DB	



Калитка с плоским порогом
18 мм



Калитка с низким порогом
100 мм



Калитка со стандартным порогом
145 мм

* Указанные в формате RAL **** цвета имеют близкое соответствие шкале RAL.

** Стандартные цвета.

Панель нижняя

Тип ворот:

- гаражные ворота Trend с торсионными пружинами всех типов монтажа;
- промышленные ворота ProTrend всех типов монтажа.

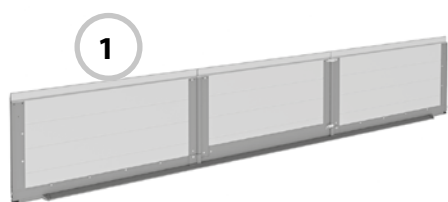
Тип калитки:

- с плоским порогом 18 мм;
- с низким порогом 100 мм;
- со стандартным порогом 145 мм.

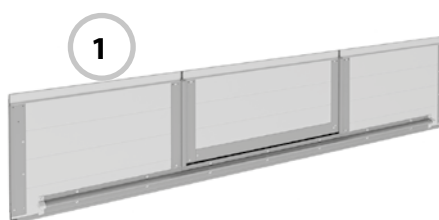
Состав: нижняя сэндвич-панель с боковыми накладками, нижний концевой профиль, нижняя уплотнительная вставка, комплект калиточных профилей с уплотнителями для нижней панели, нижний усиливающий профиль калитки, упоры нижние, контакт калитки. Накладные петли (арт. **WH-100**) входят в состав ремонта при наличии их в исходном изделии.

Единица измерения шт.

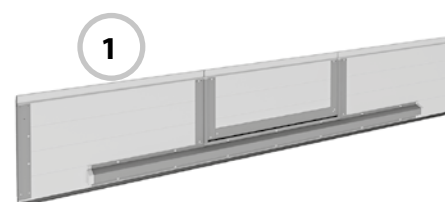
Артикул	Тип полотна	Цвет*	Применение
LPU-1T	Микроволна woodgrain	RAL 9016, 9006, 8017, 8014, 7016, 6005, 5010, 3004, 1015, ADS703**	Для ворот с правой калиткой
	S-гофр woodgrain	RAL 9016, 9006, 9005, 8017, 8014, 7024, 7016, 7004, 6005, 5010, 3004, 1015, ADS703**	
	S-гофр smooth	Golden Oak, Dark Oak	
	M-гофр woodgrain	RAL 9016, 9005, 8017**	
	M-гофр smooth	RAL 9016, 7024, 7016** Golden Oak, Dark Oak	
	L-гофр woodgrain	RAL 9016, 9005, 8017**	
	L-гофр smooth	RAL 9016, 9005, 8017, 7024, 7016, ADS703** Golden Oak, Dark Oak	
LPU-15T	Микроволна woodgrain, S-, M-, L-гофр woodgrain/smooth	Другие цвета по каталогу RAL*, DB	Для ворот с левой калиткой
	Микроволна woodgrain	RAL 9016, 9006, 8017, 8014, 7016, 6005, 5010, 3004, 1015, ADS703**	
	S-гофр woodgrain	RAL 9016, 9006, 9005, 8017, 8014, 7024, 7016, 7004, 6005, 5010, 3004, 1015, ADS703**	
	S-гофр smooth	Golden Oak, Dark Oak	
	M-гофр woodgrain	RAL 9016, 9005, 8017**	
	M-гофр smooth	RAL 9016, 7024, 7016** Golden Oak, Dark Oak	
	L-гофр woodgrain	RAL 9016, 9005, 8017**	
L-гофр smooth	RAL 9016, 9005, 8017, 7024, 7016, ADS703** Golden Oak, Dark Oak		
LPU-15T	Микроволна woodgrain, S-, M-, L-гофр woodgrain/smooth	Другие цвета по каталогу RAL*, DB	



**Калитка с плоским порогом
18 мм**



**Калитка с низким порогом
100 мм**



**Калитка со стандартным порогом
145 мм**

* Указанные в формате RAL **** цвета имеют близкое соответствие шкале RAL.

** Стандартные цвета.

Панель промежуточная

Тип ворот:

- гаражные ворота Trend с торсионными пружинами всех типов монтажа;
- промышленные ворота ProTrend всех типов монтажа.

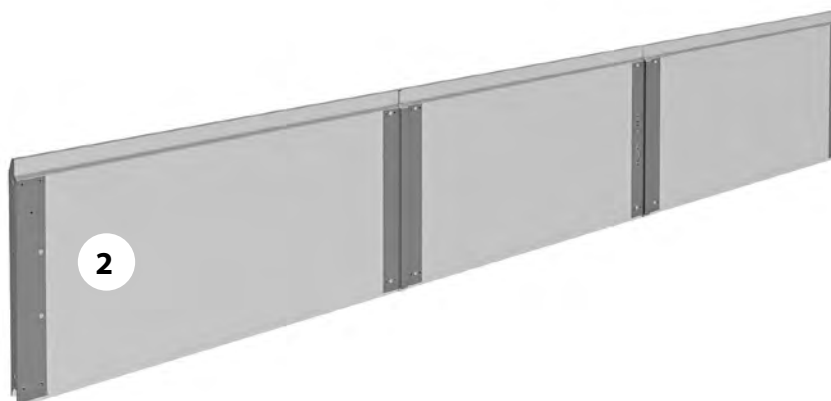
Тип калитки:

- с плоским порогом 18 мм;
- с низким порогом 100 мм;
- со стандартным порогом 145 мм.

Состав: вторая или третья промежуточная калиточная панель с установленными калиточными профилями и уплотнителями, замок калитки (корпус, планка ригеля, ригель). Комплект ручек и цилиндрический механизм в ремонтный узел не входят. Накладные петли (арт. **WH-100**) входят в состав ремонта при наличии их в исходном изделии.

Единица измерения шт.

Артикул	Тип полотна	Цвет*	Применение
LPU-31T	Микроволна woodgrain	RAL 9016, 9006, 8017, 8014, 7016, 6005, 5010, 3004, 1015, ADS703**	Для ворот с правой калиткой
	S-гофр woodgrain	RAL 9016, 9006, 9005, 8017, 8014, 7024, 7016, 7004, 6005, 5010, 3004, 1015, ADS703**	
	S-гофр smooth	Golden Oak, Dark Oak	
	M-гофр woodgrain	RAL 9016, 9005, 8017**	
	M-гофр smooth	RAL 9016, 7024, 7016** Golden Oak, Dark Oak	
	L-гофр woodgrain	RAL 9016, 9005, 8017**	
	L-гофр smooth	RAL 9016, 9005, 8017, 7024, 7016, ADS703** Golden Oak, Dark Oak	
LPU-41T	Микроволна woodgrain	RAL 9016, 9006, 8017, 8014, 7016, 6005, 5010, 3004, 1015, ADS703**	Для ворот с левой калиткой
	S-гофр woodgrain	RAL 9016, 9006, 9005, 8017, 8014, 7024, 7016, 7004, 6005, 5010, 3004, 1015, ADS703**	
	S-гофр smooth	Golden Oak, Dark Oak	
	M-гофр woodgrain	RAL 9016, 9005, 8017**	
	M-гофр smooth	RAL 9016, 7024, 7016** Golden Oak, Dark Oak	
	L-гофр woodgrain	RAL 9016, 9005, 8017**	
	L-гофр smooth	RAL 9016, 9005, 8017, 7024, 7016, ADS703** Golden Oak, Dark Oak	
	Микроволна woodgrain, S-, M-, L-гофр woodgrain/smooth	Другие цвета по каталогу RAL*, DB	



* Указанные в формате RAL **** цвета имеют близкое соответствие шкале RAL.

** Стандартные цвета.

Панель нижняя

Тип ворот:

- гаражные ворота Trend с торсионными пружинами всех типов монтажа;
- промышленные ворота ProTrend всех типов монтажа.

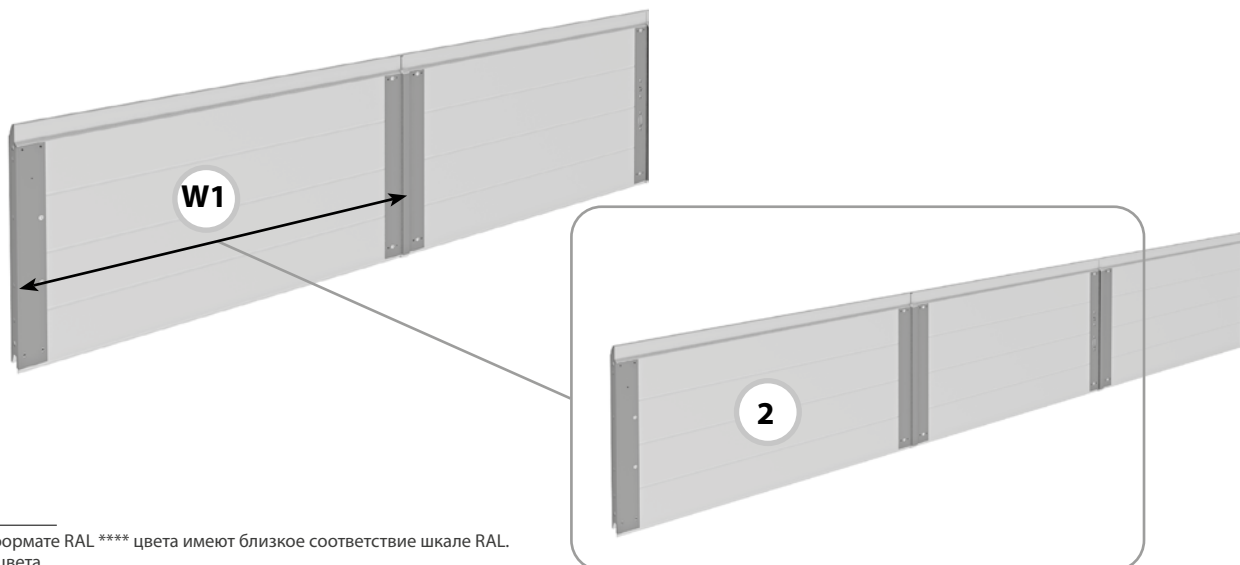
Тип калитки:

- с плоским порогом 18 мм;
- с низким порогом 100 мм;
- со стандартным порогом 145 мм.

Состав: две промежуточные панели калитки с установленными калиточными профилями и уплотнителями, замок калитки (корпус, ригель). Комплект ручек и цилиндрический механизм в ремонтный узел не входят. Накладные петли (арт. **WH-100**) не входят в состав ремонта при наличии их в исходном изделии.

Единица измерения шт.

Артикул	Тип полотна	Цвет*	Применение
LPU-5T	Микроволна woodgrain	RAL 9016, 9006, 8017, 8014, 7016, 6005, 5010, 3004, 1015, ADS703**	Для ворот с правой калиткой
	S-гофр woodgrain	RAL 9016, 9006, 9005, 8017, 8014, 7024, 7016, 7004, 6005, 5010, 3004, 1015, ADS703**	
	S-гофр smooth	Golden Oak, Dark Oak	
	M-гофр woodgrain	RAL 9016, 9005, 8017**	
	M-гофр smooth	RAL 9016, 7024, 7016** Golden Oak, Dark Oak	
	L-гофр woodgrain	RAL 9016, 9005, 8017**	
	L-гофр smooth	RAL 9016, 9005, 8017, 7024, 7016, ADS703** Golden Oak, Dark Oak	
LPU-19T	Микроволна woodgrain	RAL 9016, 9006, 8017, 8014, 7016, 6005, 5010, 3004, 1015, ADS703**	Для ворот с левой калиткой
	S-гофр woodgrain	RAL 9016, 9006, 9005, 8017, 8014, 7024, 7016, 7004, 6005, 5010, 3004, 1015, ADS703**	
	S-гофр smooth	Golden Oak, Dark Oak	
	M-гофр woodgrain	RAL 9016, 9005, 8017**	
	M-гофр smooth	RAL 9016, 7024, 7016** Golden Oak, Dark Oak	
	L-гофр woodgrain	RAL 9016, 9005, 8017**	
	L-гофр smooth	RAL 9016, 9005, 8017, 7024, 7016, ADS703** Golden Oak, Dark Oak	
	Микроволна woodgrain, S-, M-, L-гофр woodgrain/smooth	Другие цвета по каталогу RAL*, DB	



* Указанные в формате RAL **** цвета имеют близкое соответствие шкале RAL.

** Стандартные цвета.

Панель промежуточная

Тип ворот:

- гаражные ворота Trend с торсионными пружинами всех типов монтажа;
- промышленные ворота ProTrend всех типов монтажа.

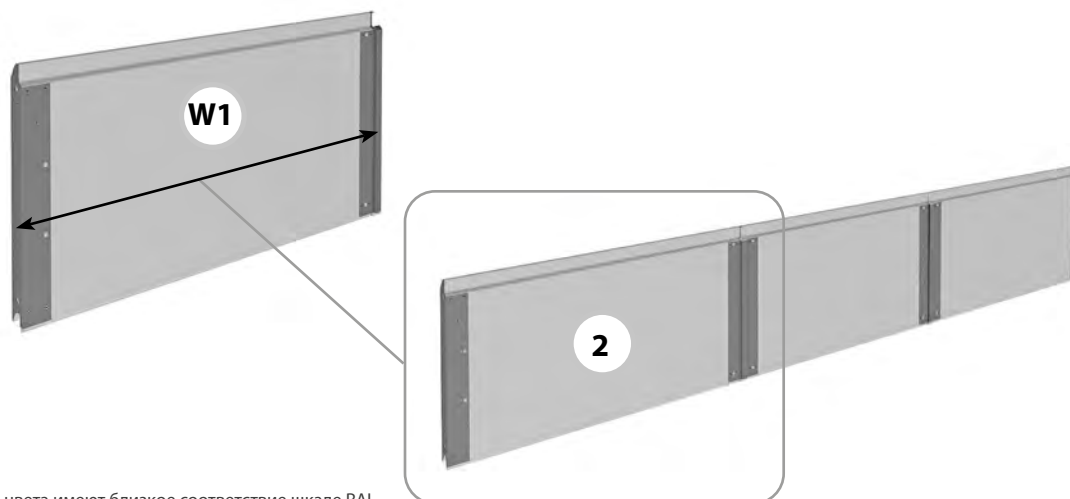
Тип калитки:

- с плоским порогом 18 мм;
- с низким порогом 100 мм;
- со стандартным порогом 145 мм.

Состав: промежуточная панель калитки (боковая часть) с установленными калиточными профилями и уплотнителями. Накладные петли (арт. **WH-100**) не входят в состав ремонта при наличии их в исходном изделии.

Единица измерения шт.

Артикул	Тип полотна	Цвет*	Применение
LPU-6T	Микроволна woodgrain	RAL 9016, 9006, 8017, 8014, 7016, 6005, 5010, 3004, 1015, ADS703**	Для ворот с правой калиткой
	S-гофр woodgrain	RAL 9016, 9006, 9005, 8017, 8014, 7024, 7016, 7004, 6005, 5010, 3004, 1015, ADS703**	
	S-гофр smooth	Golden Oak, Dark Oak	
	M-гофр woodgrain	RAL 9016, 9005, 8017**	
	M-гофр smooth	RAL 9016, 7024, 7016** Golden Oak, Dark Oak	
	L-гофр woodgrain	RAL 9016, 9005, 8017**	
	L-гофр smooth	RAL 9016, 9005, 8017, 7024, 7016, ADS703** Golden Oak, Dark Oak	
LPU-20T	Микроволна woodgrain	RAL 9016, 9006, 8017, 8014, 7016, 6005, 5010, 3004, 1015, ADS703**	Для ворот с левой калиткой
	S-гофр woodgrain	RAL 9016, 9006, 9005, 8017, 8014, 7024, 7016, 7004, 6005, 5010, 3004, 1015, ADS703**	
	S-гофр smooth	Golden Oak, Dark Oak	
	M-гофр woodgrain	RAL 9016, 9005, 8017**	
	M-гофр smooth	RAL 9016, 7024, 7016** Golden Oak, Dark Oak	
	L-гофр woodgrain	RAL 9016, 9005, 8017**	
	L-гофр smooth	RAL 9016, 9005, 8017, 7024, 7016, ADS703** Golden Oak, Dark Oak	
	Микроволна woodgrain, S-, M-, L-гофр woodgrain/smooth	Другие цвета по каталогу RAL*, DB	



* Указанные в формате RAL **** цвета имеют близкое соответствие шкале RAL.

** Стандартные цвета.

Панель промежуточная

Тип ворот:

- гаражные ворота Trend с торсионными пружинами всех типов монтажа;
- промышленные ворота ProTrend всех типов монтажа.

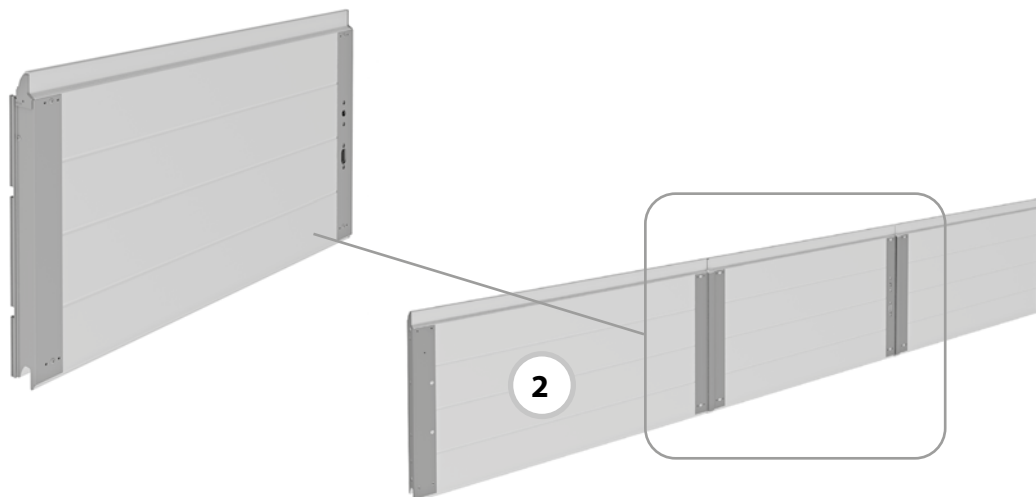
Тип калитки:

- с плоским порогом 18 мм;
- с низким порогом 100 мм;
- со стандартным порогом 145 мм.

Состав: промежуточная панель калитки (центральная часть) с установленными калиточными профилями и уплотнителями, замок калитки (корпус, ригель). Накладные петли (арт. **WH-100**) не входят в состав ремонта при наличии их в исходном изделии.

Единица измерения шт.

Артикул	Тип полотна	Цвет*	Применение
LPU-7T	Микроволна woodgrain	RAL 9016, 9006, 8017, 8014, 7016, 6005, 5010, 3004, 1015, ADS703**	Для ворот с правой калиткой
	S-гофр woodgrain	RAL 9016, 9006, 9005, 8017, 8014, 7024, 7016, 7004, 6005, 5010, 3004, 1015, ADS703**	
	S-гофр smooth	Golden Oak, Dark Oak	
	M-гофр woodgrain	RAL 9016, 9005, 8017**	
	M-гофр smooth	RAL 9016, 7024, 7016** Golden Oak, Dark Oak	
	L-гофр woodgrain	RAL 9016, 9005, 8017**	
	L-гофр smooth	RAL 9016, 9005, 8017, 7024, 7016, ADS703** Golden Oak, Dark Oak	
LPU-21T	Микроволна woodgrain	RAL 9016, 9006, 8017, 8014, 7016, 6005, 5010, 3004, 1015, ADS703**	Для ворот с левой калиткой
	S-гофр woodgrain	RAL 9016, 9006, 9005, 8017, 8014, 7024, 7016, 7004, 6005, 5010, 3004, 1015, ADS703**	
	S-гофр smooth	Golden Oak, Dark Oak	
	M-гофр woodgrain	RAL 9016, 9005, 8017**	
	M-гофр smooth	RAL 9016, 7024, 7016** Golden Oak, Dark Oak	
	L-гофр woodgrain	RAL 9016, 9005, 8017**	
	L-гофр smooth	RAL 9016, 9005, 8017, 7024, 7016, ADS703** Golden Oak, Dark Oak	
	Микроволна woodgrain, S-, M-, L-гофр woodgrain/smooth	Другие цвета по каталогу RAL*, DB	



* Указанные в формате RAL **** цвета имеют близкое соответствие шкале RAL.

** Стандартные цвета.

Панель промежуточная

Тип ворот:

- гаражные ворота Trend с торсионными пружинами всех типов монтажа;
- промышленные ворота ProTrend всех типов монтажа.

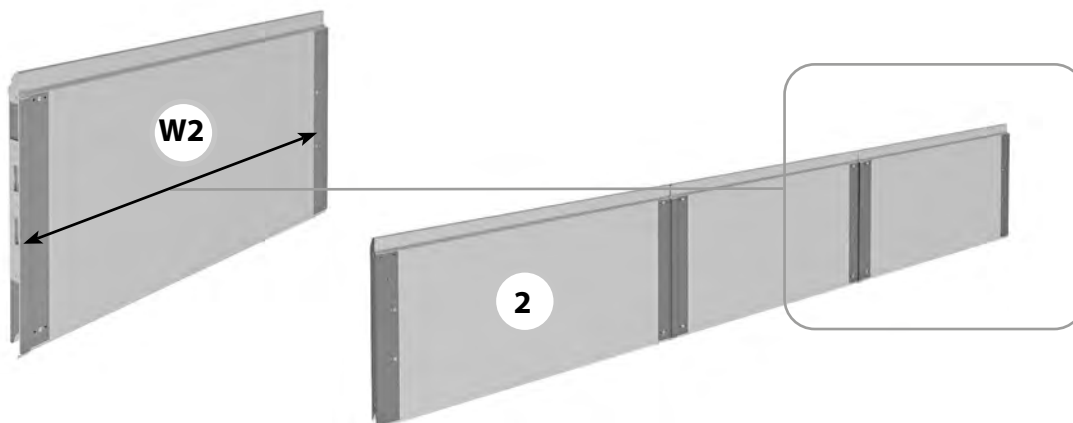
Тип калитки:

- с плоским порогом 18 мм;
- с низким порогом 100 мм;
- со стандартным порогом 145 мм.

Состав: промежуточная панель калитки (боковая часть) с установленными калиточными профилями и уплотнителями, планка ригеля. Накладные петли (арт. **WH-100**) не входят в состав ремонта при наличии их в исходном изделии.

Единица измерения шт.

Артикул	Тип полотна	Цвет*	Применение
LPU-8T	Микроволна woodgrain	RAL 9016, 9006, 8017, 8014, 7016, 6005, 5010, 3004, 1015, ADS703**	Для ворот с правой калиткой
	S-гофр woodgrain	RAL 9016, 9006, 9005, 8017, 8014, 7024, 7016, 7004, 6005, 5010, 3004, 1015, ADS703**	
	S-гофр smooth	Golden Oak, Dark Oak	
	M-гофр woodgrain	RAL 9016, 9005, 8017**	
	M-гофр smooth	RAL 9016, 7024, 7016** Golden Oak, Dark Oak	
	L-гофр woodgrain	RAL 9016, 9005, 8017**	
	L-гофр smooth	RAL 9016, 9005, 8017, 7024, 7016, ADS703** Golden Oak, Dark Oak	
LPU-22T	Микроволна woodgrain	RAL 9016, 9006, 8017, 8014, 7016, 6005, 5010, 3004, 1015, ADS703**	Для ворот с левой калиткой
	S-гофр woodgrain	RAL 9016, 9006, 9005, 8017, 8014, 7024, 7016, 7004, 6005, 5010, 3004, 1015, ADS703**	
	S-гофр smooth	Golden Oak, Dark Oak	
	M-гофр woodgrain	RAL 9016, 9005, 8017**	
	M-гофр smooth	RAL 9016, 7024, 7016** Golden Oak, Dark Oak	
	L-гофр woodgrain	RAL 9016, 9005, 8017**	
	L-гофр smooth	RAL 9016, 9005, 8017, 7024, 7016, ADS703** Golden Oak, Dark Oak	
	Микроволна woodgrain, S-, M-, L-гофр woodgrain/smooth	Другие цвета по каталогу RAL*, DB	



* Указанные в формате RAL **** цвета имеют близкое соответствие шкале RAL.

** Стандартные цвета.

Панель промежуточная

Тип ворот:

- гаражные ворота Trend с торсионными пружинами всех типов монтажа;
- промышленные ворота ProTrend всех типов монтажа.

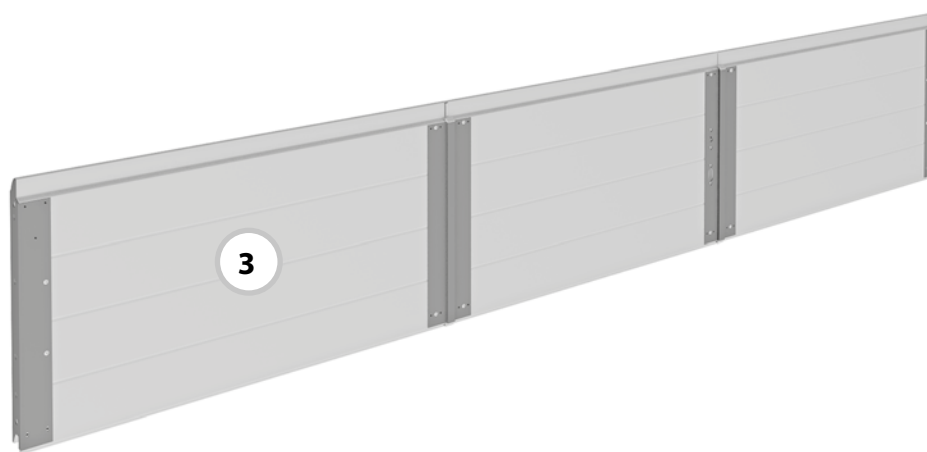
Тип калитки:

- с плоским порогом 18 мм;
- с низким порогом 100 мм;
- со стандартным порогом 145 мм.

Состав: промежуточная калиточная панель с установленными калиточными профилями и уплотнителями. Накладные петли (арт. **WH-100**) входят в состав ремонта при наличии их в исходном изделии.

Единица измерения шт.

Артикул	Тип полотна	Цвет*	Применение
LPU-32T	Микроволна woodgrain	RAL 9016, 9006, 8017, 8014, 7016, 6005, 5010, 3004, 1015, ADS703**	Для ворот с правой калиткой
	S-гофр woodgrain	RAL 9016, 9006, 9005, 8017, 8014, 7024, 7016, 7004, 6005, 5010, 3004, 1015, ADS703**	
	S-гофр smooth	Golden Oak, Dark Oak	
	M-гофр woodgrain	RAL 9016, 9005, 8017**	
	M-гофр smooth	RAL 9016, 7024, 7016** Golden Oak, Dark Oak	
	L-гофр woodgrain	RAL 9016, 9005, 8017**	
	L-гофр smooth	RAL 9016, 9005, 8017, 7024, 7016, ADS703** Golden Oak, Dark Oak	
	Микроволна woodgrain, S-, M-, L-гофр woodgrain/smooth	Другие цвета по каталогу RAL*, DB	
LPU-42T	Микроволна woodgrain	RAL 9016, 9006, 8017, 8014, 7016, 6005, 5010, 3004, 1015, ADS703**	Для ворот с левой калиткой
	S-гофр woodgrain	RAL 9016, 9006, 9005, 8017, 8014, 7024, 7016, 7004, 6005, 5010, 3004, 1015, ADS703**	
	S-гофр smooth	Golden Oak, Dark Oak	
	M-гофр woodgrain	RAL 9016, 9005, 8017**	
	M-гофр smooth	RAL 9016, 7024, 7016** Golden Oak, Dark Oak	
	L-гофр woodgrain	RAL 9016, 9005, 8017**	
	L-гофр smooth	RAL 9016, 9005, 8017, 7024, 7016, ADS703** Golden Oak, Dark Oak	
	Микроволна woodgrain, S-, M-, L-гофр woodgrain/smooth	Другие цвета по каталогу RAL*, DB	



* Указанные в формате RAL **** цвета имеют близкое соответствие шкале RAL.

** Стандартные цвета.

Панель промежуточная

Тип ворот:

- гаражные ворота Trend с торсионными пружинами всех типов монтажа;
- промышленные ворота ProTrend всех типов монтажа.

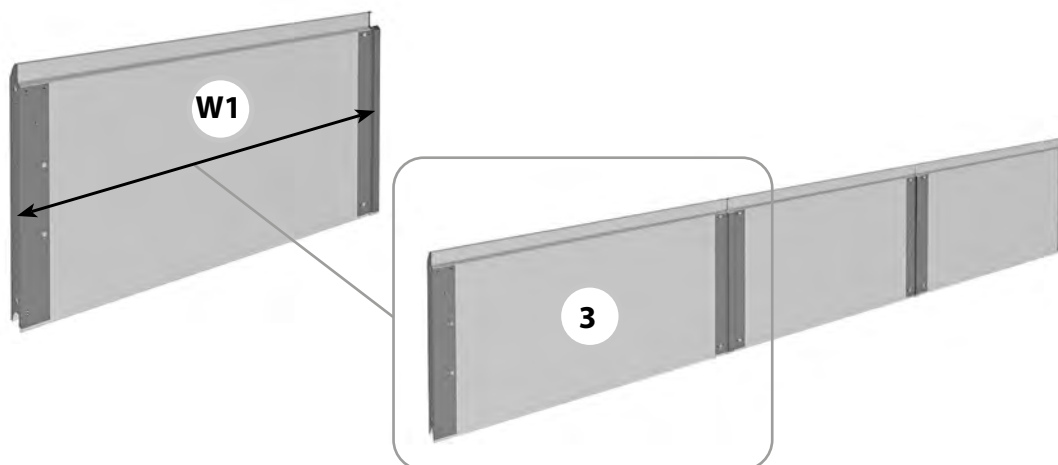
Тип калитки:

- с плоским порогом 18 мм;
- с низким порогом 100 мм;
- со стандартным порогом 145 мм.

Состав: промежуточная панель калитки (боковая часть) с установленными калиточными профилями и уплотнителями. Накладные петли (арт. **WH-100**) не входят в состав ремонта при наличии их в исходном изделии.

Единица измерения шт.

Артикул	Тип полотна	Цвет*	Применение
LPU-34T	Микроволна woodgrain	RAL 9016, 9006, 8017, 8014, 7016, 6005, 5010, 3004, 1015, ADS703**	Для ворот с правой калиткой
	S-гофр woodgrain	RAL 9016, 9006, 9005, 8017, 8014, 7024, 7016, 7004, 6005, 5010, 3004, 1015, ADS703**	
	S-гофр smooth	Golden Oak, Dark Oak	
	M-гофр woodgrain	RAL 9016, 9005, 8017**	
	M-гофр smooth	RAL 9016, 7024, 7016** Golden Oak, Dark Oak	
	L-гофр woodgrain	RAL 9016, 9005, 8017**	
	L-гофр smooth	RAL 9016, 9005, 8017, 7024, 7016, ADS703** Golden Oak, Dark Oak	
LPU-46T	Микроволна woodgrain	RAL 9016, 9006, 8017, 8014, 7016, 6005, 5010, 3004, 1015, ADS703**	Для ворот с левой калиткой
	S-гофр woodgrain	RAL 9016, 9006, 9005, 8017, 8014, 7024, 7016, 7004, 6005, 5010, 3004, 1015, ADS703**	
	S-гофр smooth	Golden Oak, Dark Oak	
	M-гофр woodgrain	RAL 9016, 9005, 8017**	
	M-гофр smooth	RAL 9016, 7024, 7016** Golden Oak, Dark Oak	
	L-гофр woodgrain	RAL 9016, 9005, 8017**	
	L-гофр smooth	RAL 9016, 9005, 8017, 7024, 7016, ADS703** Golden Oak, Dark Oak	
	Микроволна woodgrain, S-, M-, L-гофр woodgrain/smooth	Другие цвета по каталогу RAL*, DB	



* Указанные в формате RAL **** цвета имеют близкое соответствие шкале RAL.

** Стандартные цвета.

Панель промежуточная

Тип ворот:

- гаражные ворота Trend с торсионными пружинами всех типов монтажа;
- промышленные ворота ProTrend всех типов монтажа.

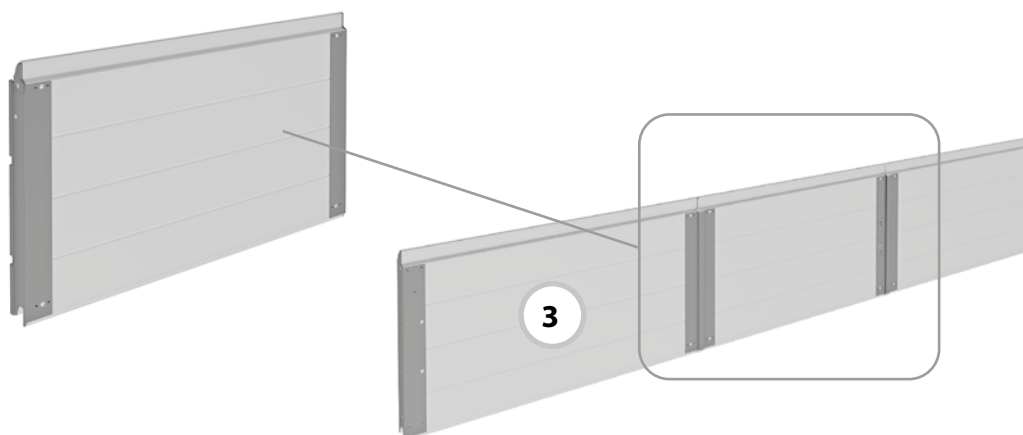
Тип калитки:

- с плоским порогом 18 мм;
- с низким порогом 100 мм;
- со стандартным порогом 145 мм.

Состав: промежуточная панель калитки (центральная часть) с установленными калиточными профилями и уплотнителями. Накладные петли (арт. **WH-100**) не входят в состав ремонта при наличии их в исходном изделии.

Единица измерения шт.

Артикул	Тип полотна	Цвет*	Применение
LPU-35T	Микроволна woodgrain	RAL 9016, 9006, 8017, 8014, 7016, 6005, 5010, 3004, 1015, ADS703**	Для ворот с правой калиткой
	S-гофр woodgrain	RAL 9016, 9006, 9005, 8017, 8014, 7024, 7016, 7004, 6005, 5010, 3004, 1015, ADS703**	
	S-гофр smooth	Golden Oak, Dark Oak	
	M-гофр woodgrain	RAL 9016, 9005, 8017**	
	M-гофр smooth	RAL 9016, 7024, 7016** Golden Oak, Dark Oak	
	L-гофр woodgrain	RAL 9016, 9005, 8017**	
	L-гофр smooth	RAL 9016, 9005, 8017, 7024, 7016, ADS703** Golden Oak, Dark Oak	
	Микроволна woodgrain, S-, M-, L-гофр woodgrain/smooth	Другие цвета по каталогу RAL*, DB	
LPU-45T	Микроволна woodgrain	RAL 9016, 9006, 8017, 8014, 7016, 6005, 5010, 3004, 1015, ADS703**	Для ворот с левой калиткой
	S-гофр woodgrain	RAL 9016, 9006, 9005, 8017, 8014, 7024, 7016, 7004, 6005, 5010, 3004, 1015, ADS703**	
	S-гофр smooth	Golden Oak, Dark Oak	
	M-гофр woodgrain	RAL 9016, 9005, 8017**	
	M-гофр smooth	RAL 9016, 7024, 7016** Golden Oak, Dark Oak	
	L-гофр woodgrain	RAL 9016, 9005, 8017**	
	L-гофр smooth	RAL 9016, 9005, 8017, 7024, 7016, ADS703** Golden Oak, Dark Oak	
	Микроволна woodgrain, S-, M-, L-гофр woodgrain/smooth	Другие цвета по каталогу RAL*, DB	



* Указанные в формате RAL **** цвета имеют близкое соответствие шкале RAL.

** Стандартные цвета.

Панель промежуточная

Тип ворот:

- гаражные ворота Trend с торсионными пружинами всех типов монтажа;
- промышленные ворота ProTrend всех типов монтажа.

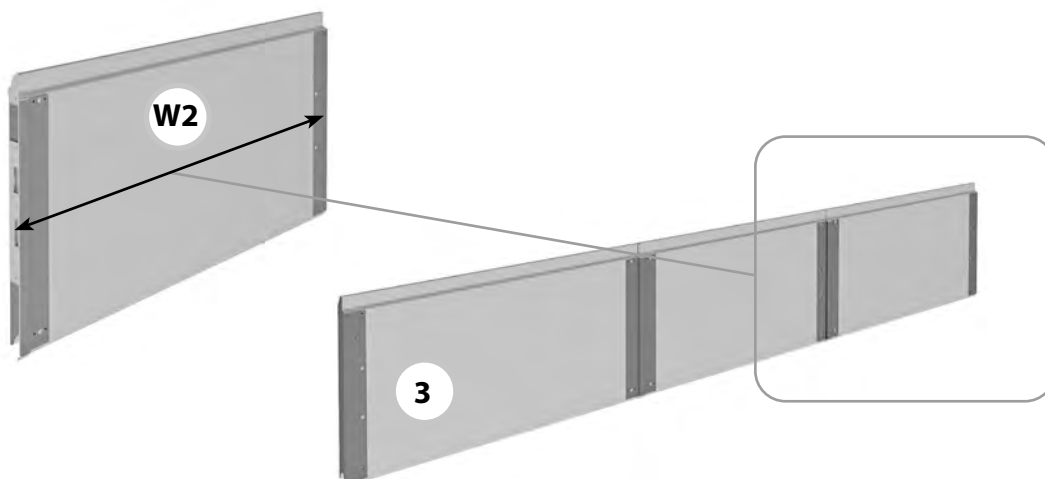
Тип калитки:

- с плоским порогом 18 мм;
- с низким порогом 100 мм;
- со стандартным порогом 145 мм.

Состав: промежуточная панель калитки (боковая часть) с установленными калиточными профилями и уплотнителями. Накладные петли (арт. **WH-100**) не входят в состав ремонта при наличии их в исходном изделии.

Единица измерения шт.

Артикул	Тип полотна	Цвет*	Применение
LPU-36T	Микроволна woodgrain	RAL 9016, 9006, 8017, 8014, 7016, 6005, 5010, 3004, 1015, ADS703**	Для ворот с правой калиткой
	S-гофр woodgrain	RAL 9016, 9006, 9005, 8017, 8014, 7024, 7016, 7004, 6005, 5010, 3004, 1015, ADS703**	
	S-гофр smooth	Golden Oak, Dark Oak	
	M-гофр woodgrain	RAL 9016, 9005, 8017**	
	M-гофр smooth	RAL 9016, 7024, 7016** Golden Oak, Dark Oak	
	L-гофр woodgrain	RAL 9016, 9005, 8017**	
	L-гофр smooth	RAL 9016, 9005, 8017, 7024, 7016, ADS703** Golden Oak, Dark Oak	
LPU-44T	Микроволна woodgrain	RAL 9016, 9006, 8017, 8014, 7016, 6005, 5010, 3004, 1015, ADS703**	Для ворот с левой калиткой
	S-гофр woodgrain	RAL 9016, 9006, 9005, 8017, 8014, 7024, 7016, 7004, 6005, 5010, 3004, 1015, ADS703**	
	S-гофр smooth	Golden Oak, Dark Oak	
	M-гофр woodgrain	RAL 9016, 9005, 8017**	
	M-гофр smooth	RAL 9016, 7024, 7016** Golden Oak, Dark Oak	
	L-гофр woodgrain	RAL 9016, 9005, 8017**	
	L-гофр smooth	RAL 9016, 9005, 8017, 7024, 7016, ADS703** Golden Oak, Dark Oak	
	Микроволна woodgrain, S-, M-, L-гофр woodgrain/smooth	Другие цвета по каталогу RAL*, DB	



* Указанные в формате RAL **** цвета имеют близкое соответствие шкале RAL.

** Стандартные цвета.

Панель промежуточная

Тип ворот:

- гаражные ворота Trend с торсионными пружинами всех типов монтажа;
- промышленные ворота ProTrend всех типов монтажа.

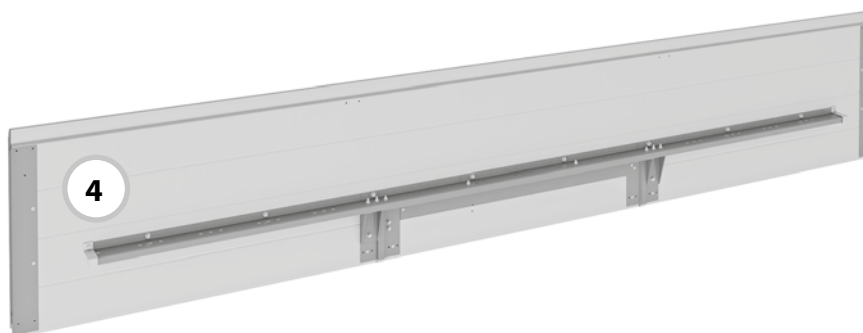
Тип калитки:

- с плоским порогом 18 мм;
- с низким порогом 100 мм;
- со стандартным порогом 145 мм.

Состав: верхняя калиточная панель с установленными калиточными профилями и уплотнителями, верхний усиливающий профиль, пластина соединительная (для монтажа доводчика), шина доводчика. Доводчик и тяга доводчика в ремонтный узел не входят. Накладные петли (арт. **WH-100**) входят в состав ремонта при наличии их в исходном изделии.

Единица измерения шт.

Артикул	Тип полотна	Цвет*	Применение
LPU-37T	Микроволна woodgrain	RAL 9016, 9006, 8017, 8014, 7016, 6005, 5010, 3004, 1015, ADS703**	Для ворот с правой калиткой
	S-гофр woodgrain	RAL 9016, 9006, 9005, 8017, 8014, 7024, 7016, 7004, 6005, 5010, 3004, 1015, ADS703**	
	S-гофр smooth	Golden Oak, Dark Oak	
	M-гофр woodgrain	RAL 9016, 9005, 8017**	
	M-гофр smooth	RAL 9016, 7024, 7016** Golden Oak, Dark Oak	
	L-гофр woodgrain	RAL 9016, 9005, 8017**	
	L-гофр smooth	RAL 9016, 9005, 8017, 7024, 7016, ADS703** Golden Oak, Dark Oak	
	Микроволна woodgrain, S-, M-, L-гофр woodgrain/smooth	Другие цвета по каталогу RAL*, DB	
LPU-47T	Микроволна woodgrain	RAL 9016, 9006, 8017, 8014, 7016, 6005, 5010, 3004, 1015, ADS703**	Для ворот с левой калиткой
	S-гофр woodgrain	RAL 9016, 9006, 9005, 8017, 8014, 7024, 7016, 7004, 6005, 5010, 3004, 1015, ADS703**	
	S-гофр smooth	Golden Oak, Dark Oak	
	M-гофр woodgrain	RAL 9016, 9005, 8017**	
	M-гофр smooth	RAL 9016, 7024, 7016** Golden Oak, Dark Oak	
	L-гофр woodgrain	RAL 9016, 9005, 8017**	
	L-гофр smooth	RAL 9016, 9005, 8017, 7024, 7016, ADS703** Golden Oak, Dark Oak	
	Микроволна woodgrain, S-, M-, L-гофр woodgrain/smooth	Другие цвета по каталогу RAL*, DB	

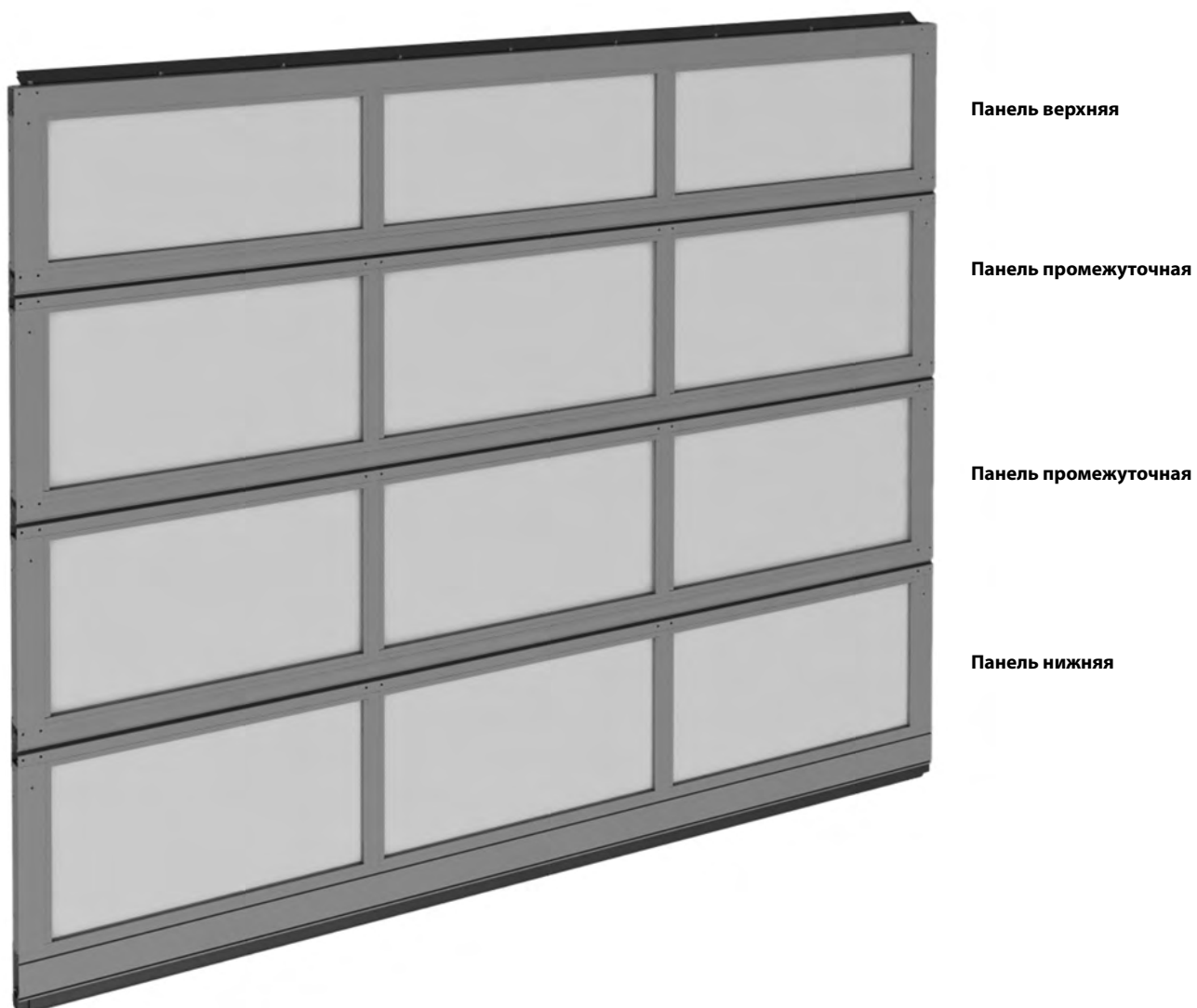


* Указанные в формате RAL **** цвета имеют близкое соответствие шкале RAL.

** Стандартные цвета.

ПАНОРАМНОЕ ПОЛОТНО ВОРОТ БЕЗ КАЛИТКИ

ТИПОВАЯ КОНСТРУКЦИЯ ПАНОРАМНОГО ПОЛОТНА ВОРОТ БЕЗ КАЛИТКИ



Полотно воротное

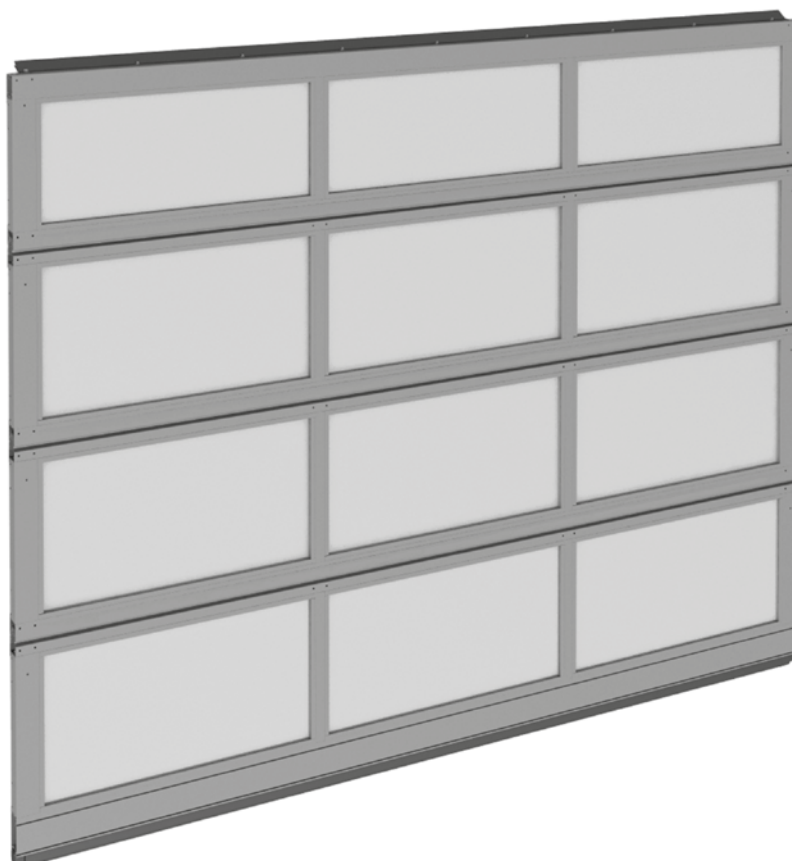
Серия ворот: панорамные ворота AluTrend.

Тип полотна ворот: АЛП.

Состав: панорамные панели, нижняя и верхняя уплотнительные вставки, упоры нижние.

Единица измерения шт.

Артикул	Цвет*
GLG-7T	RAL 9016, 8014, 9006, 5010, 1015, 3004, 6005, 8017, 7016**
	Другой цвет по каталогу RAL* или ADS703



* Указанные в формате RAL **** цвета имеют близкое соответствие шкале RAL.

** Стандартные цвета.

Полотно воротное

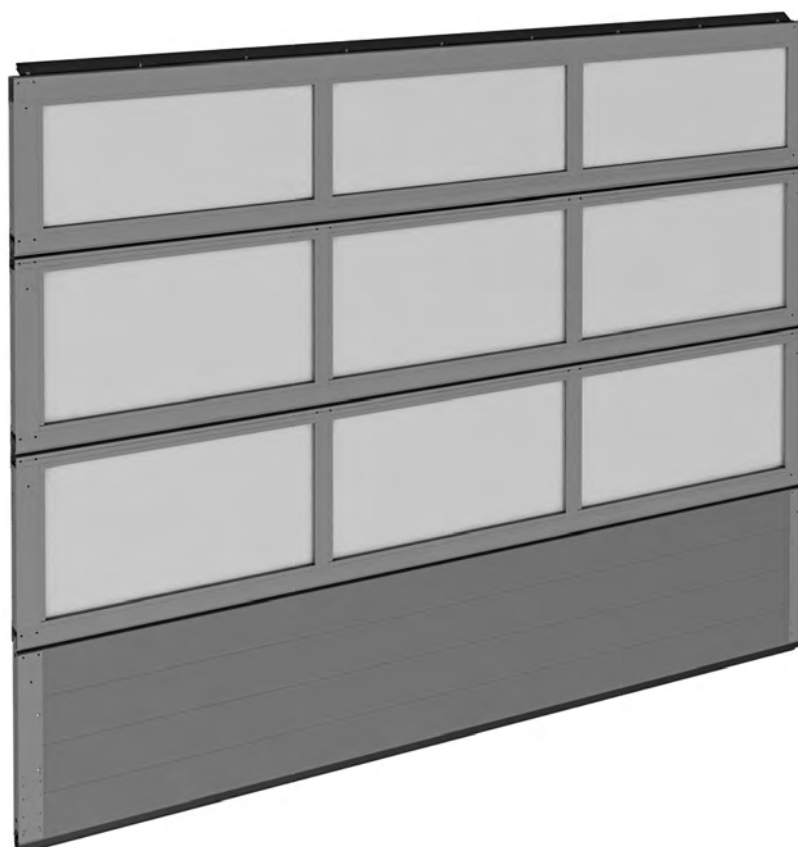
Серия ворот: панорамные ворота AluTrend.

Тип полотна ворот: АЛПС.

Состав: нижняя сэндвич-панель, промежуточные и верхняя панорамные панели, нижний концевой профиль, нижняя и верхняя уплотнительные вставки, упоры нижние.

Единица измерения шт.

Артикул	Цвет*
GLG-10T	RAL 9016, 8014, 9006, 5010, 1015, 3004, 6005, 8017, 7016**
	Другой цвет по каталогу RAL* или ADS703



* Указанные в формате RAL **** цвета имеют близкое соответствие шкале RAL.

** Стандартные цвета.

Панель нижняя

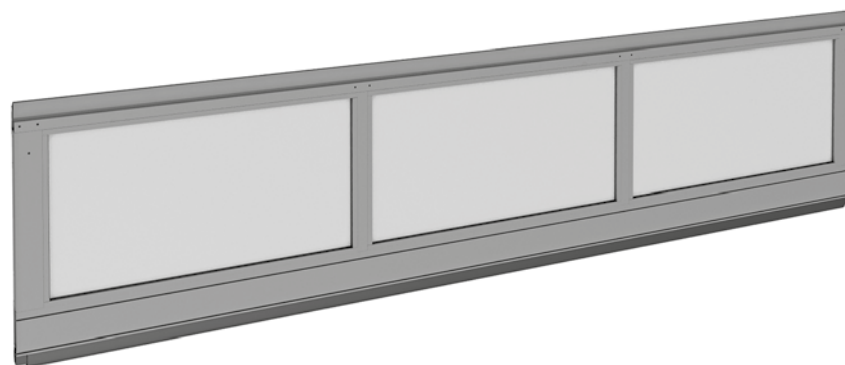
Серия ворот: панорамные ворота AluTrend.

Тип полотна ворот: АЛП.

Состав: нижняя панорамная панель, нижняя уплотнительная вставка, упоры нижние.

Единица измерения шт.

Артикул	Цвет*
LPA-27T	RAL 9016, 8014, 9006, 5010, 1015, 3004, 6005, 8017, 7016**
	Другой цвет по каталогу RAL* или ADS703



1.1

1.2

1.3

1.4

1.5

2

3

4

* Указанные в формате RAL **** цвета имеют близкое соответствие шкале RAL.

** Стандартные цвета.

Панель промежуточная

Серия ворот:

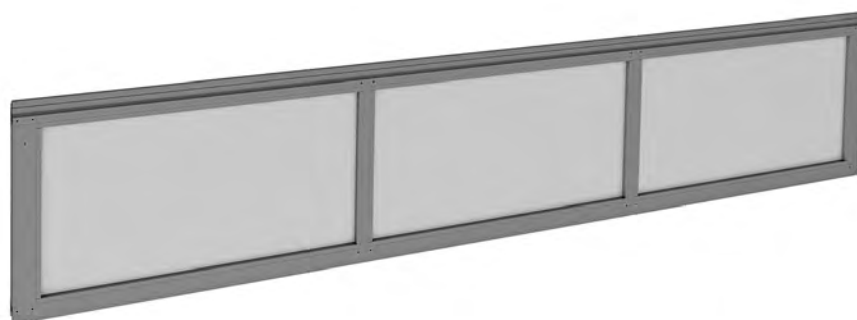
- панорамные ворота AluTrend;
- гаражные ворота Trend (ПО);
- промышленные ворота ProTrend (ПО).

Тип полотна ворот: АЛП, АЛПС, ПО.

Состав: промежуточная панорамная панель.

Единица измерения шт.

Артикул	Цвет*
LPA-28T	RAL 9016, 8014, 9006, 5010, 1015, 3004, 6005, 8017, 7016**
	Другой цвет по каталогу RAL* или ADS703



* Указанные в формате RAL **** цвета имеют близкое соответствие шкале RAL.

** Стандартные цвета.

Панель верхняя

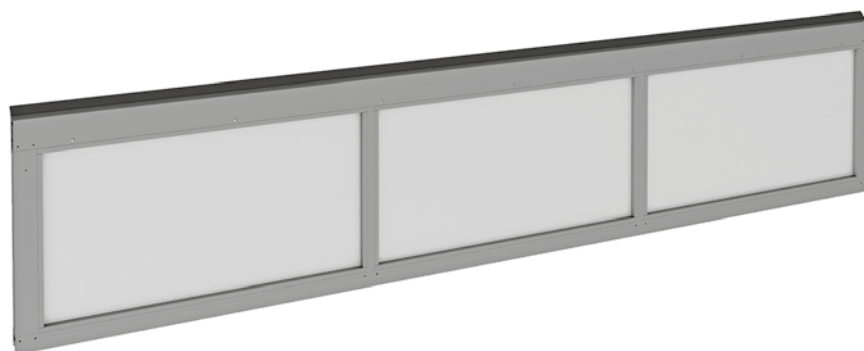
Серия ворот: панорамные ворота AluTrend.

Тип полотна ворот: АЛП, АЛПС.

Состав: верхняя панорамная панель, верхняя уплотнительная вставка.

Единица измерения шт.

Артикул	Цвет*
LPA-29T	RAL 9016, 8014, 9006, 5010, 1015, 3004, 6005, 8017, 7016**
	Другой цвет по каталогу RAL* или ADS703



* Указанные в формате RAL **** цвета имеют близкое соответствие шкале RAL.

** Стандартные цвета.

Вставка светопрозрачная различных типоразмеров

Серия ворот:

- панорамные ворота AluTrend;
- гаражные ворота Trend (ПО серия AluTrend);
- промышленные ворота ProTrend (ПО серия AluTrend).

Тип полотна ворот: АЛП, АЛПС, ПО.

Состав: светопрозрачная вставка из SAN-стекла, профили воротные (штапики).

Тип и оттенок остекления, наличие либо отсутствие двойного контура герметизации и стойкого к образованию царапин покрытия определяются параметрами исходного изделия.

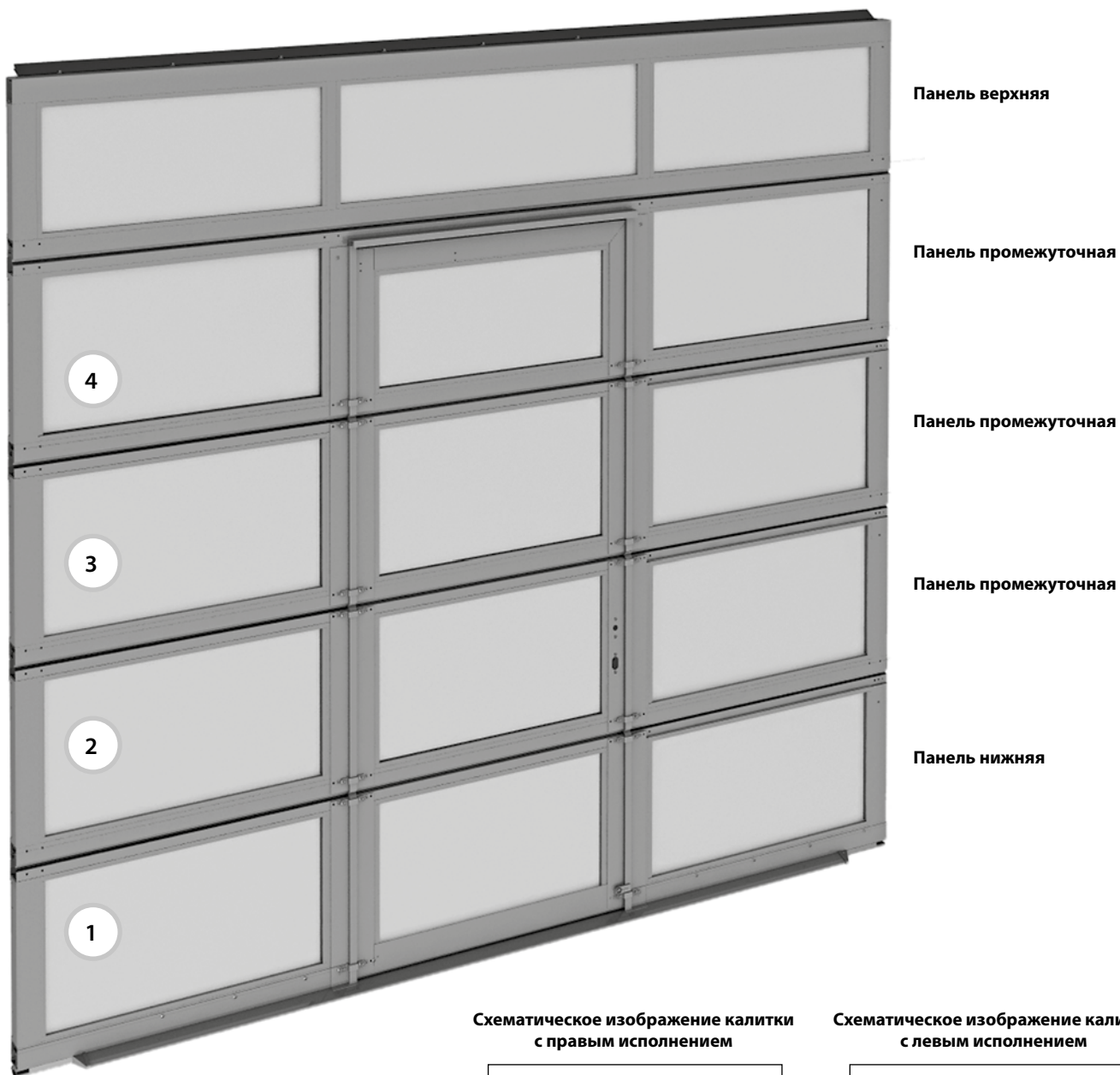
Единица измерения шт.

Артикул	Код
LKU-81	421000601

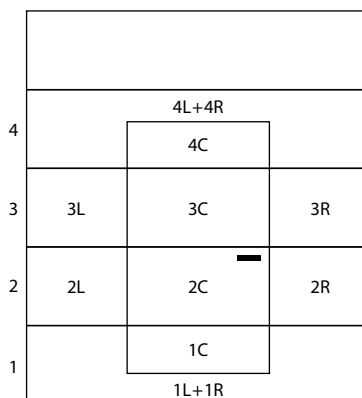


ПАНОРАМНОЕ ПОЛОТНО ВОРОТ С КАЛИТКОЙ

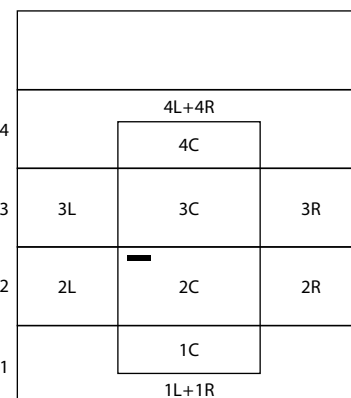
ТИПОВАЯ КОНСТРУКЦИЯ ПАНОРАМНОГО ПОЛОТНА ВОРОТ С КАЛИТКОЙ



Схематическое изображение калитки с правым исполнением



Схематическое изображение калитки с левым исполнением



при взгляде изнутри

Полотно воротное

Серия ворот: панорамные ворота AluTrend.

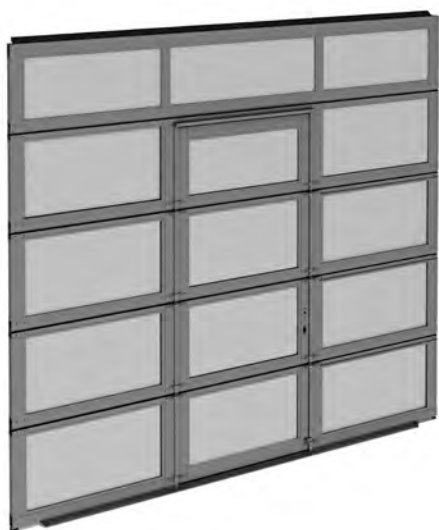
Тип полотна ворот: АЛП.

Тип калитки: с плоским порогом 18 мм, со стандартным порогом 149 мм.

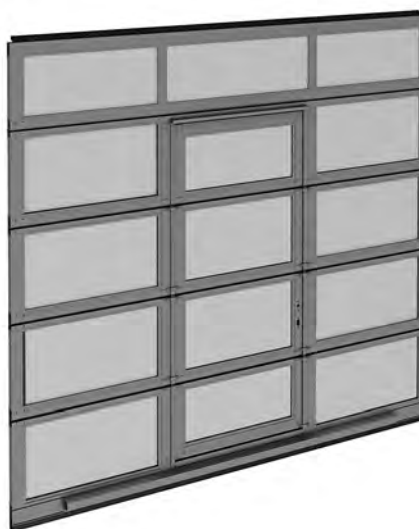
Состав: панорамные панели, пластина соединительная (для монтажа доводчика), нижняя и верхняя уплотнительные вставки, упоры нижние, комплект калиточных профилей и уплотнителей, замок калитки (планка ригеля, ригель), усиливающие профили калитки, контакт калитки. Накладные петли (арт. **WH-100**) входят в состав ремонта при наличии их в исходном изделии.

Единица измерения шт.

Артикул	Цвет*	Применение
GLG-5T	RAL 9016, 8014, 9006, 5010, 1015, 3004, 6005, 8017, 7016**	Для ворот с правой калиткой
	Другой цвет по каталогу RAL* или ADS703	
GLG-6T	RAL 9016, 8014, 9006, 5010, 1015, 3004, 6005, 8017, 7016**	Для ворот с левой калиткой
	Другой цвет по каталогу RAL* или ADS703	



**Калитка с плоским порогом
18 мм**



**Калитка со стандартным порогом
149 мм**

* Указанные в формате RAL **** цвета имеют близкое соответствие шкале RAL.

** Стандартные цвета.

Полотно воротное

Серия ворот: панорамные ворота AluTrend.

Тип полотна ворот: АЛПС.

Тип калитки: с плоским порогом 18 мм, с низким порогом 100 мм, со стандартным порогом 145 мм.

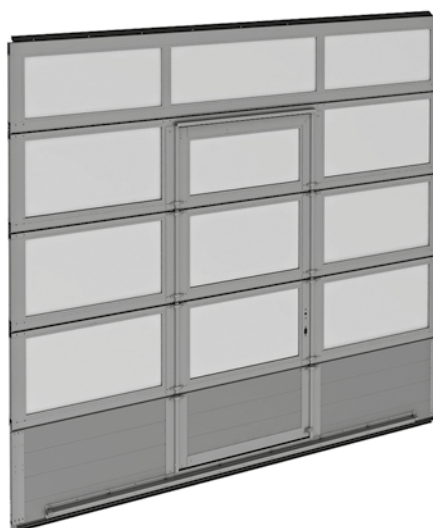
Состав: нижняя сэндвич-панель, промежуточные и верхняя панорамные панели, пластина соединительная (для монтажа доводчика), нижний концевой профиль, нижняя и верхняя уплотнительные вставки, упоры нижние, комплект калиточных профилей и уплотнителей, замок калитки (планка ригеля, ригель), усиливающие профили калитки, контакт калитки. Накладные петли (арт. **WH-100**) входят в состав ремонта при наличии их в исходном изделии.

Единица измерения шт.

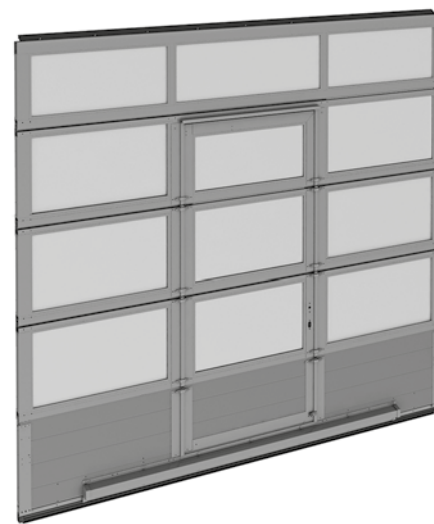
Артикул	Цвет*	Применение
GLG-8T	RAL 9016, 8014, 9006, 5010, 1015, 3004, 6005, 8017, 7016**	Для ворот с правой калиткой
	Другой цвет по каталогу RAL* или ADS703	
GLG-9T	RAL 9016, 8014, 9006, 5010, 1015, 3004, 6005, 8017, 7016**	Для ворот с левой калиткой
	Другой цвет по каталогу RAL* или ADS703	



Калитка с плоским порогом
18 мм



Калитка с низким порогом
100 мм



Калитка со стандартным порогом
145 мм

* Указанные в формате RAL **** цвета имеют близкое соответствие шкале RAL.

** Стандартные цвета.

Панель нижняя

Серия ворот: панорамные ворота AluTrend.

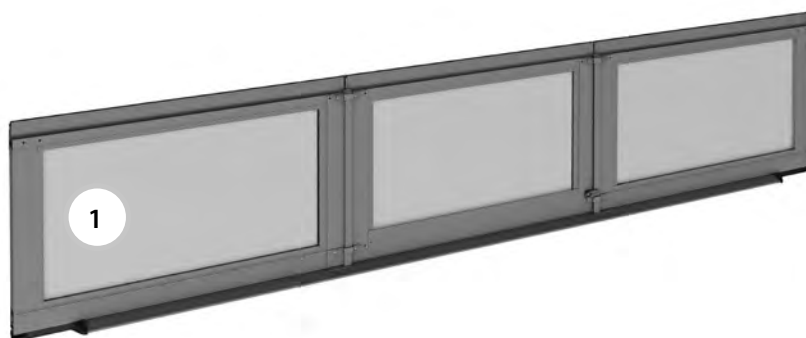
Тип полотна ворот: АЛП.

Тип калитки: с плоским порогом 18 мм, со стандартным порогом 149 мм.

Состав: нижняя панорамная панель, нижняя уплотнительная вставка, комплект калиточных профилей и уплотнителей для нижней панели, нижний усиливающий профиль калитки, упоры нижние, контакт калитки. Накладные петли (арт. **WH-100**) входят в состав ремонта при наличии их в исходном изделии.

Единица измерения шт.

Артикул	Цвет*	Применение
LPA-1T	RAL 9016, 8014, 9006, 5010, 1015, 3004, 6005, 8017, 7016**	Для ворот с правой калиткой
	Другой цвет по каталогу RAL* или ADS703	
LPA-15T	RAL 9016, 8014, 9006, 5010, 1015, 3004, 6005, 8017, 7016**	Для ворот с левой калиткой
	Другой цвет по каталогу RAL* или ADS703	



Калитка с плоским порогом 20 мм



Калитка со стандартным порогом 149 мм

* Указанные в формате RAL **** цвета имеют близкое соответствие шкале RAL.

** Стандартные цвета.

Панель нижняя

Серия ворот: панорамные ворота AluTrend.

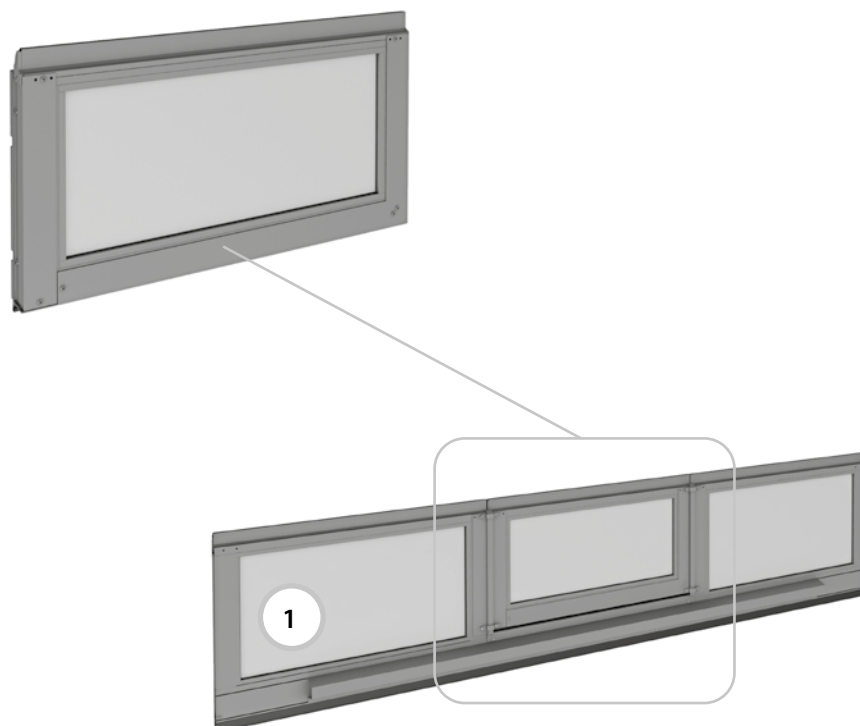
Тип полотна ворот: АЛП.

Тип калитки: с плоским порогом 18 мм, со стандартным порогом 149 мм.

Состав: нижняя панель калитки с установленными профилями калитки. Накладные петли (арт. **WH-100**) не входят в состав ремонта при наличии их в исходном изделии.

Единица измерения шт.

Артикул	Цвет*	Применение
LPA-3T	RAL 9016, 8014, 9006, 5010, 1015, 3004, 6005, 8017, 7016**	Для ворот с правой калиткой
	Другой цвет по каталогу RAL* или ADS703	
LPA-17T	RAL 9016, 8014, 9006, 5010, 1015, 3004, 6005, 8017, 7016**	Для ворот с левой калиткой
	Другой цвет по каталогу RAL* или ADS703	



* Указанные в формате RAL **** цвета имеют близкое соответствие шкале RAL.

** Стандартные цвета.

Панель промежуточная

Серия ворот:

- панорамные ворота AluTrend;
- гаражные ворота Trend (ПО серии AluTrend);
- промышленные ворота ProTrend (ПО серии AluTrend).

Тип полотна ворот: АЛП, АЛПС, ПО.

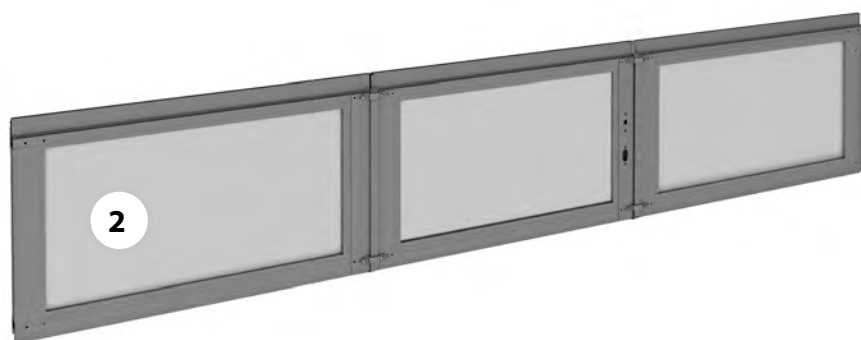
Тип калитки:

- с плоским порогом 18 мм;
- с низким порогом 100 мм;
- со стандартным порогом 145 мм (АЛПС)/149 мм (АЛП).

Состав: промежуточная калиточная панель с установленными калиточными профилями и уплотнителями, замок калитки (ригель). Комплект ручек и цилиндрический механизм в ремонтный узел не входят. Накладные петли (арт. **WH-100**) входят в состав ремонта при наличии их в исходном изделии.

Единица измерения шт.

Артикул	Цвет*	Применение
LPA-31T	RAL 9016, 8014, 9006, 5010, 1015, 3004, 6005, 8017, 7016**	Для ворот с правой калиткой
	Другой цвет по каталогу RAL* или ADS703	
LPA-41T	RAL 9016, 8014, 9006, 5010, 1015, 3004, 6005, 8017, 7016**	Для ворот с левой калиткой
	Другой цвет по каталогу RAL* или ADS703	



* Указанные в формате RAL **** цвета имеют близкое соответствие шкале RAL.

** Стандартные цвета.

Панель промежуточная

Серия ворот:

- панорамные ворота AluTrend;
- гаражные ворота Trend (ПО серии AluTrend);
- промышленные ворота ProTrend (ПО серии AluTrend).

Тип полотна ворот: АЛП, АЛПС, ПО.

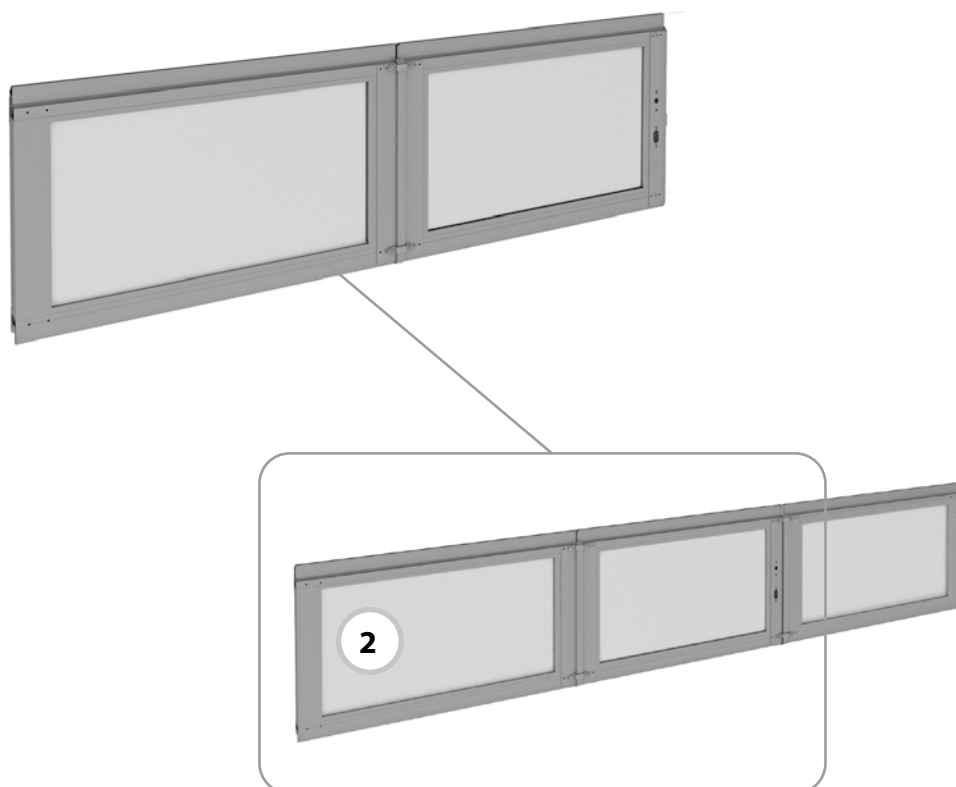
Тип калитки:

- с плоским порогом 18 мм;
- с низким порогом 100 мм;
- со стандартным порогом 145 мм (АЛПС)/149 мм (АЛП).

Состав: промежуточные панели калитки (боковая и центральная часть) с установленными калиточными профилями и уплотнителями, замок калитки (ригель). Комплект ручек и цилиндрический механизм в ремонтный узел не входят. Накладные петли (арт. **WH-100**) не входят в состав ремонта при наличии их в исходном изделии.

Единица измерения шт.

Артикул	Цвет*	Применение
LPA-5T	RAL 9016, 8014, 9006, 5010, 1015, 3004, 6005, 8017, 7016**	Для ворот с правой калиткой
	Другой цвет по каталогу RAL* или ADS703	
LPA-19T	RAL 9016, 8014, 9006, 5010, 1015, 3004, 6005, 8017, 7016**	Для ворот с левой калиткой
	Другой цвет по каталогу RAL* или ADS703	



* Указанные в формате RAL **** цвета имеют близкое соответствие шкале RAL.

** Стандартные цвета.

Панель промежуточная

Серия ворот:

- панорамные ворота AluTrend;
- гаражные ворота Trend (ПО серии AluTrend);
- промышленные ворота ProTrend (ПО серии AluTrend).

Тип полотна ворот: АЛП, АЛПС, ПО.

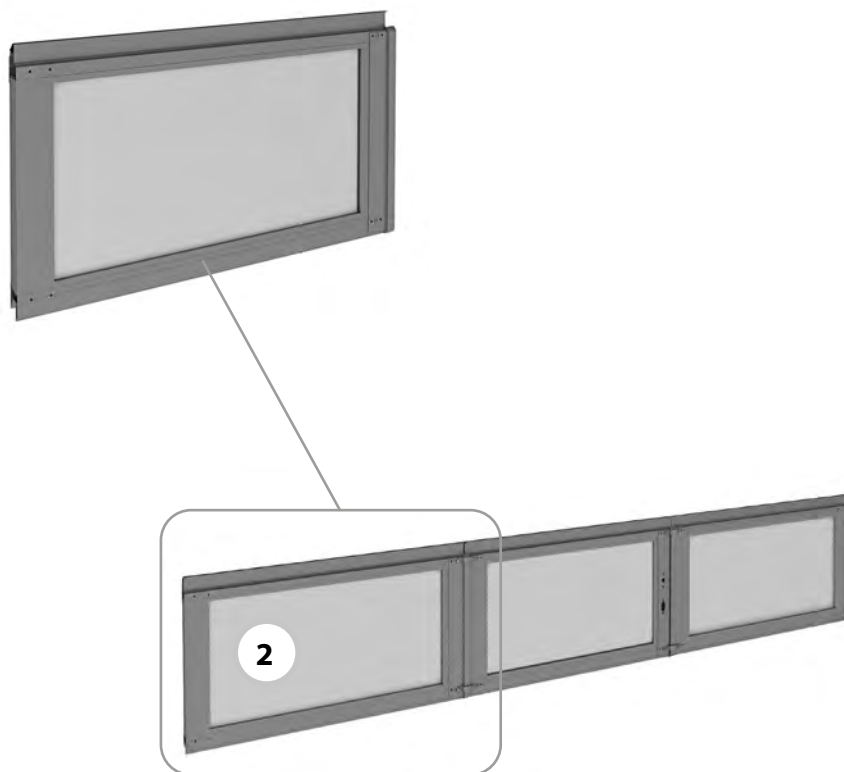
Тип калитки:

- с плоским порогом 18 мм;
- с низким порогом 100 мм;
- со стандартным порогом 145 мм (АЛПС)/149 мм (АЛП).

Состав: промежуточная панель калитки (боковая часть) с установленными калиточными профилями и уплотнителями. Накладные петли (арт. **WH-100**) не входят в состав ремонта при наличии их в исходном изделии.

Единица измерения шт.

Артикул	Цвет*	Применение
LPA-6T	RAL 9016, 8014, 9006, 5010, 1015, 3004, 6005, 8017, 7016**	Для ворот с правой калиткой
	Другой цвет по каталогу RAL* или ADS703	
LPA-20T	RAL 9016, 8014, 9006, 5010, 1015, 3004, 6005, 8017, 7016**	Для ворот с левой калиткой
	Другой цвет по каталогу RAL* или ADS703	



* Указанные в формате RAL **** цвета имеют близкое соответствие шкале RAL.

** Стандартные цвета.

Панель промежуточная

Серия ворот:

- панорамные ворота AluTrend;
- гаражные ворота Trend (ПО серии AluTrend);
- промышленные ворота ProTrend (ПО серии AluTrend).

Тип полотна ворот: АЛП, АЛПС, ПО.

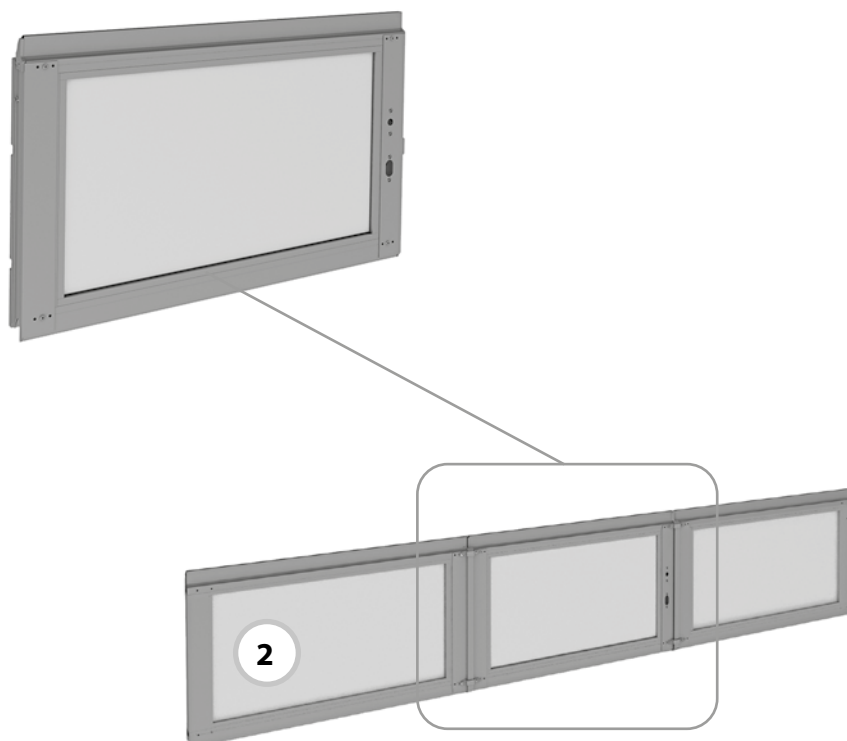
Тип калитки:

- с плоским порогом 18 мм;
- с низким порогом 100 мм;
- со стандартным порогом 145 мм (АЛПС)/149 мм (АЛП).

Состав: промежуточная панель калитки (центральная часть) с установленными калиточными профилями и уплотнителями, замок калитки (ригель). Накладные петли (арт. **WH-100**) не входят в состав ремонта при наличии их в исходном изделии.

Единица измерения шт.

Артикул	Цвет*	Применение
LPA-7T	RAL 9016, 8014, 9006, 5010, 1015, 3004, 6005, 8017, 7016**	Для ворот с правой калиткой
	Другой цвет по каталогу RAL* или ADS703	
LPA-21T	RAL 9016, 8014, 9006, 5010, 1015, 3004, 6005, 8017, 7016**	Для ворот с левой калиткой
	Другой цвет по каталогу RAL* или ADS703	



* Указанные в формате RAL **** цвета имеют близкое соответствие шкале RAL.

** Стандартные цвета.

Панель промежуточная

Серия ворот:

- панорамные ворота AluTrend;
- гаражные ворота Trend (ПО серии AluTrend);
- промышленные ворота ProTrend (ПО серии AluTrend).

Тип полотна ворот: АЛП, АЛПС, ПО.

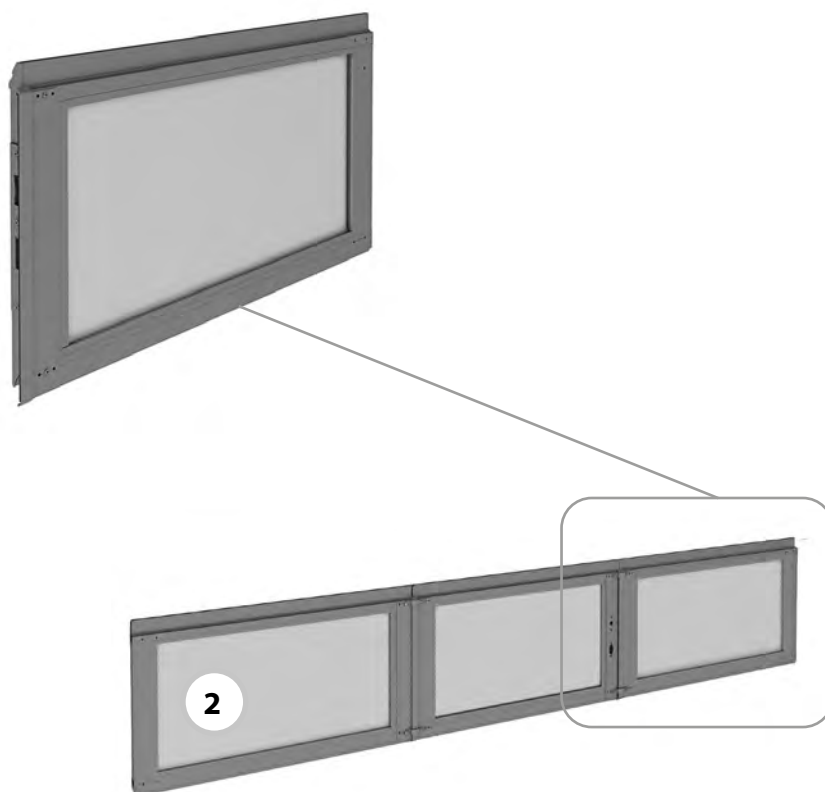
Тип калитки:

- с плоским порогом 18 мм;
- с низким порогом 100 мм;
- со стандартным порогом 145 мм (АЛПС)/149 мм (АЛП).

Состав: промежуточная панель калитки (боковая часть) с установленными калиточными профилями и уплотнителями, планка ригеля. Накладные петли (арт. **WH-100**) не входят в состав ремонта при наличии их в исходном изделии.

Единица измерения шт.

Артикул	Цвет*	Применение
LPA-8T	RAL 9016, 8014, 9006, 5010, 1015, 3004, 6005, 8017, 7016**	Для ворот с правой калиткой
	Другой цвет по каталогу RAL* или ADS703	
LPA-22T	RAL 9016, 8014, 9006, 5010, 1015, 3004, 6005, 8017, 7016**	Для ворот с левой калиткой
	Другой цвет по каталогу RAL* или ADS703	



* Указанные в формате RAL **** цвета имеют близкое соответствие шкале RAL.

** Стандартные цвета.

Панель промежуточная

Серия ворот:

- панорамные ворота AluTrend;
- гаражные ворота Trend (ПО серии AluTrend);
- промышленные ворота ProTrend (ПО серии AluTrend).

Тип полотна ворот: АЛП, АЛПС, ПО.

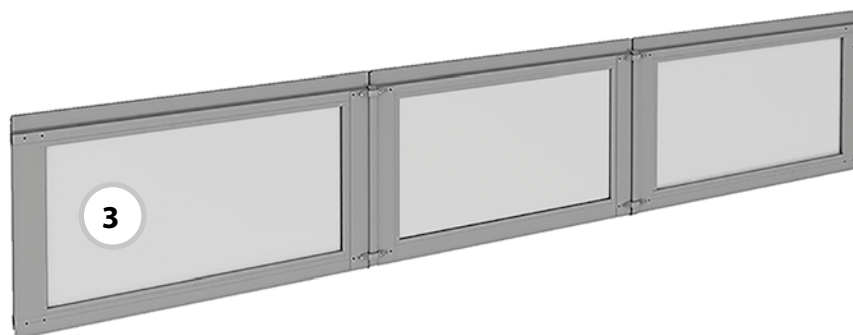
Тип калитки:

- с плоским порогом 18 мм;
- с низким порогом 100 мм;
- со стандартным порогом 145 мм (АЛПС)/149 мм (АЛП).

Состав: промежуточная калиточная панель с установленными калиточными профилями и уплотнителями. Накладные петли (арт. **WH-100**) входят в состав ремонта при наличии их в исходном изделии.

Единица измерения шт.

Артикул	Цвет*	Применение
LPA-32T	RAL 9016, 8014, 9006, 5010, 1015, 3004, 6005, 8017, 7016**	Для ворот с правой калиткой
	Другой цвет по каталогу RAL* или ADS703	
LPA-42T	RAL 9016, 8014, 9006, 5010, 1015, 3004, 6005, 8017, 7016**	Для ворот с левой калиткой
	Другой цвет по каталогу RAL* или ADS703	



* Указанные в формате RAL **** цвета имеют близкое соответствие шкале RAL.

** Стандартные цвета.

Панель промежуточная

Серия ворот:

- панорамные ворота AluTrend;
- гаражные ворота Trend (ПО серии AluTrend);
- промышленные ворота ProTrend (ПО серии AluTrend).

Тип полотна ворот: АЛП, АЛПС, ПО.

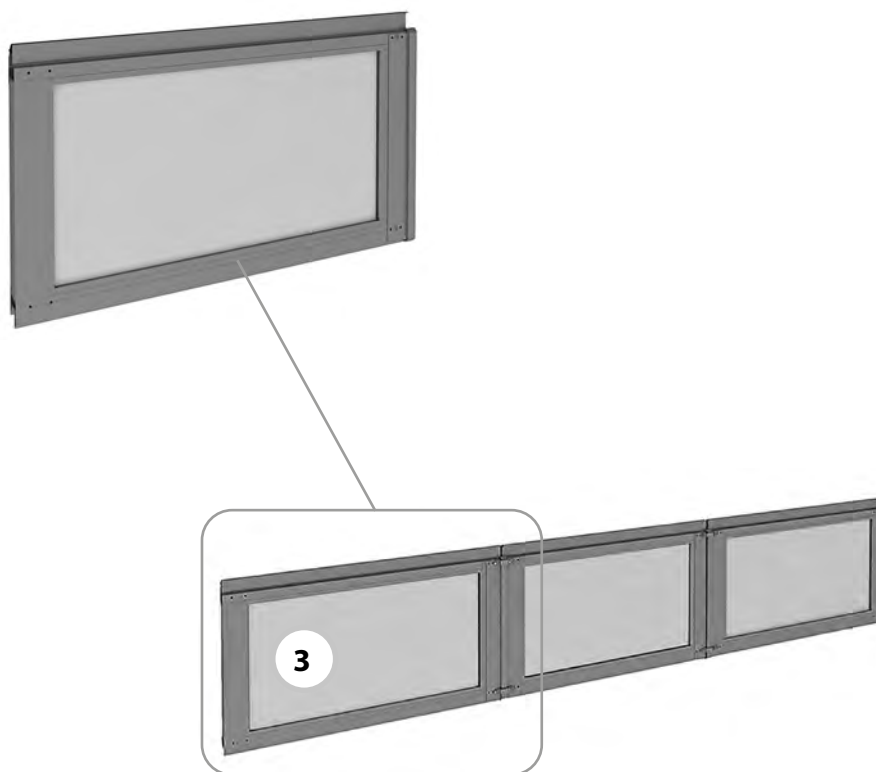
Тип калитки:

- с плоским порогом 18 мм;
- с низким порогом 100 мм;
- со стандартным порогом 145 мм (АЛПС)/149 мм (АЛП).

Состав: промежуточные панели калитки (боковая часть) с установленными калиточными профилями и уплотнителями. Накладные петли (арт. **WH-100**) не входят в состав ремонта при наличии их в исходном изделии.

Единица измерения шт.

Артикул	Цвет*	Применение
LPA-33Т	RAL 9016, 8014, 9006, 5010, 1015, 3004, 6005, 8017, 7016**	Для ворот с правой калиткой
	Другой цвет по каталогу RAL* или ADS703	
LPA-43Т	RAL 9016, 8014, 9006, 5010, 1015, 3004, 6005, 8017, 7016**	Для ворот с левой калиткой
	Другой цвет по каталогу RAL* или ADS703	



* Указанные в формате RAL **** цвета имеют близкое соответствие шкале RAL.

** Стандартные цвета.

Панель промежуточная

Серия ворот:

- панорамные ворота AluTrend;
- гаражные ворота Trend (ПО серии AluTrend);
- промышленные ворота ProTrend (ПО серии AluTrend).

Тип полотна ворот: АЛП, АЛПС, ПО.

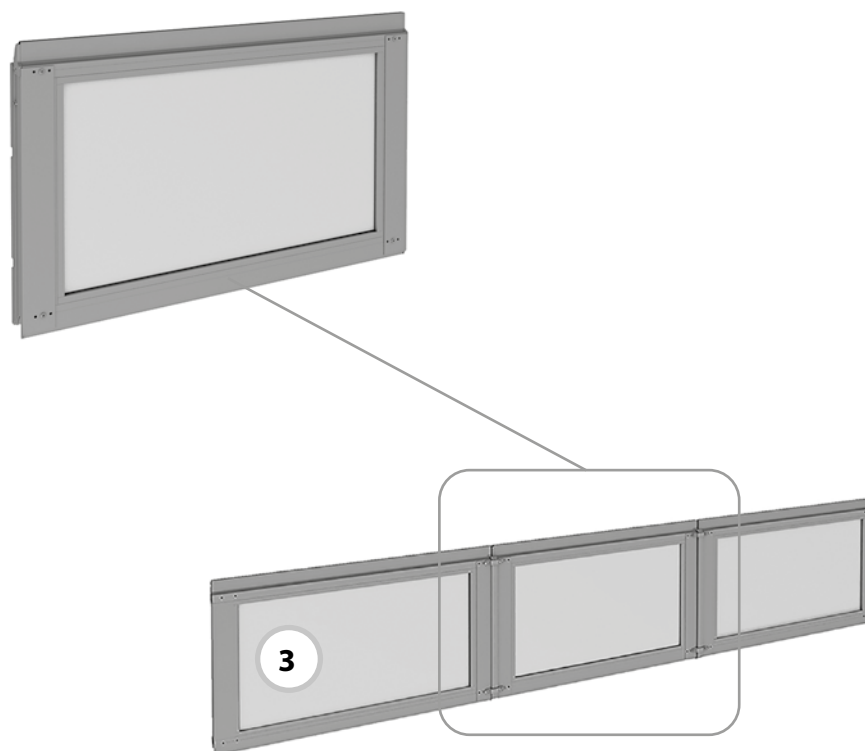
Тип калитки:

- с плоским порогом 18 мм;
- с низким порогом 100 мм;
- со стандартным порогом 145 мм (АЛПС)/149 мм (АЛП).

Состав: промежуточные панели калитки (центральная часть) с установленными калиточными профилями и уплотнителями. Накладные петли (арт. **WH-100**) не входят в состав ремонта при наличии их в исходном изделии.

Единица измерения шт.

Артикул	Цвет*	Применение
LPA-34T	RAL 9016, 8014, 9006, 5010, 1015, 3004, 6005, 8017, 7016**	Для ворот с правой калиткой
	Другой цвет по каталогу RAL* или ADS703	
LPA-44T	RAL 9016, 8014, 9006, 5010, 1015, 3004, 6005, 8017, 7016**	Для ворот с левой калиткой
	Другой цвет по каталогу RAL* или ADS703	



* Указанные в формате RAL **** цвета имеют близкое соответствие шкале RAL.

** Стандартные цвета.

Панель промежуточная

Серия ворот:

- панорамные ворота AluTrend;
- гаражные ворота Trend (ПО серии AluTrend);
- промышленные ворота ProTrend (ПО серии AluTrend).

Тип полотна ворот: АЛП, АЛПС, ПО.

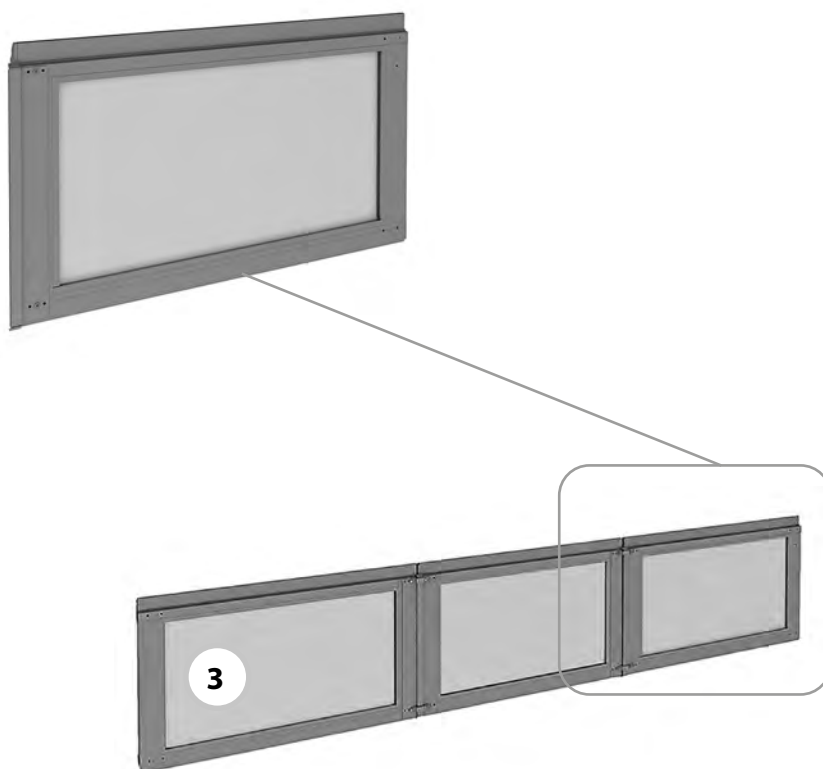
Тип калитки:

- с плоским порогом 18 мм;
- с низким порогом 100 мм;
- со стандартным порогом 145 мм (АЛПС)/149 мм (АЛП).

Состав: промежуточные панели калитки (боковая часть) с установленными калиточными профилями и уплотнителями. Накладные петли (арт. **WH-100**) не входят в состав ремонта при наличии их в исходном изделии.

Единица измерения шт.

Артикул	Цвет*	Применение
LPA-35T	RAL 9016, 8014, 9006, 5010, 1015, 3004, 6005, 8017, 7016**	Для ворот с правой калиткой
	Другой цвет по каталогу RAL* или ADS703	
LPA-45T	RAL 9016, 8014, 9006, 5010, 1015, 3004, 6005, 8017, 7016**	Для ворот с левой калиткой
	Другой цвет по каталогу RAL* или ADS703	



* Указанные в формате RAL **** цвета имеют близкое соответствие шкале RAL.

** Стандартные цвета.

Панель промежуточная

Серия ворот:

- панорамные ворота AluTrend;
- гаражные ворота Trend (ПО серии AluTrend);
- промышленные ворота ProTrend (ПО серии AluTrend).

Тип полотна ворот: АЛП, АЛПС, ПО.

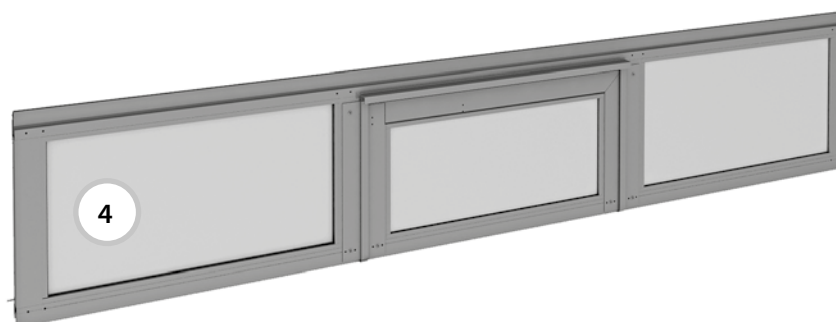
Тип калитки:

- с плоским порогом 18 мм;
- с низким порогом 100 мм;
- со стандартным порогом 145 мм (АЛПС)/149 мм (АЛП).

Состав: верхняя калиточная панель с установленными калиточными профилями и уплотнителями, пластина соединительная (для монтажа доводчика). Накладные петли (арт. **WH-100**) входят в состав ремонта при наличии их в исходном изделии.

Единица измерения шт.

Артикул	Цвет*	Применение
LPA-36T	RAL 9016, 8014, 9006, 5010, 1015, 3004, 6005, 8017, 7016**	Для ворот с правой калиткой
	Другой цвет по каталогу RAL* или ADS703	
LPA-46T	RAL 9016, 8014, 9006, 5010, 1015, 3004, 6005, 8017, 7016**	Для ворот с левой калиткой
	Другой цвет по каталогу RAL* или ADS703	



* Указанные в формате RAL **** цвета имеют близкое соответствие шкале RAL.

** Стандартные цвета.

Панель промежуточная

Серия ворот:

- панорамные ворота AluTrend;
- гаражные ворота Trend (ПО серии AluTrend);
- промышленные ворота ProTrend (ПО серии AluTrend).

Тип полотна ворот: АЛП, АЛПС, ПО.

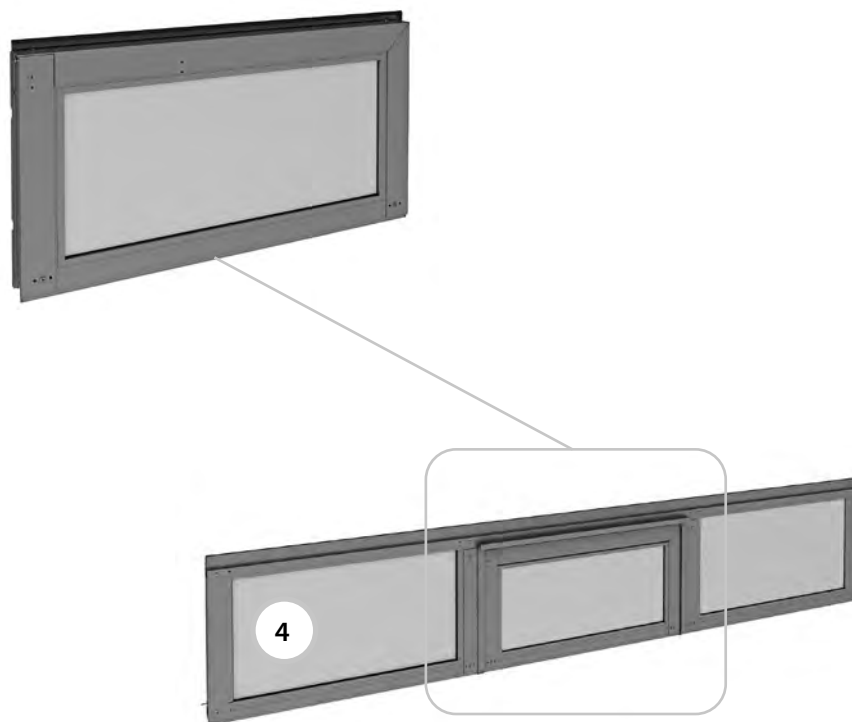
Тип калитки:

- с плоским порогом 18 мм;
- с низким порогом 100 мм;
- со стандартным порогом 145 мм (АЛПС)/149 мм (АЛП).

Состав: верхняя калиточная панель с установленными калиточными профилями и уплотнителями, пластина соединительная (для монтажа доводчика). Накладные петли (арт. **WH-100**) не входят в состав ремонта при наличии их в исходном изделии.

Единица измерения шт.

Артикул	Цвет*	Применение
LPA-37T	RAL 9016, 8014, 9006, 5010, 1015, 3004, 6005, 8017, 7016**	Для ворот с правой калиткой
	Другой цвет по каталогу RAL* или ADS703	
LPA-47T	RAL 9016, 8014, 9006, 5010, 1015, 3004, 6005, 8017, 7016**	Для ворот с левой калиткой
	Другой цвет по каталогу RAL* или ADS703	



* Указанные в формате RAL **** цвета имеют близкое соответствие шкале RAL.

** Стандартные цвета.

Фальшпанель

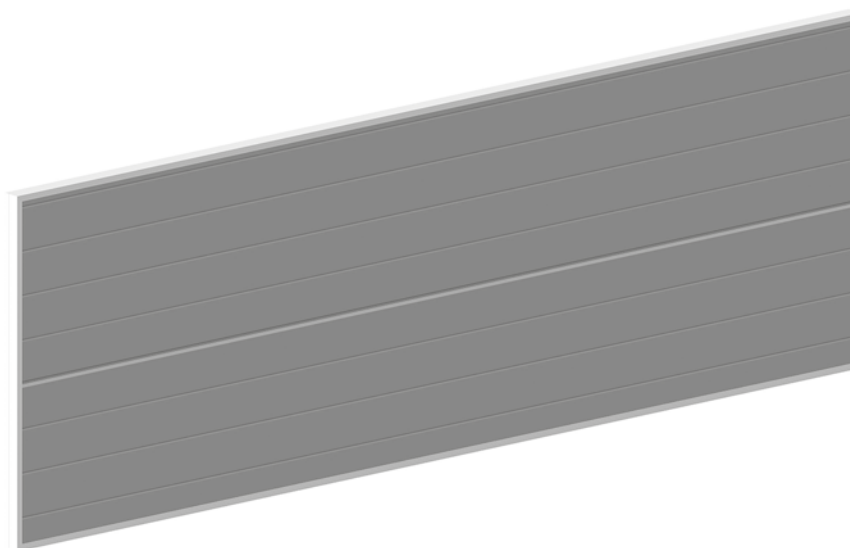
Тип ворот:

- гаражные ворота Trend с торсионными пружинами всех типов монтажа;
- гаражные ворота Trend с пружинами растяжения;
- промышленные ворота ProTrend всех типов монтажа.

Состав: сэндвич-панель, профили обрамления.

Единица измерения шт.

Артикул	Тип полотна	Цвет*
FPU-1T	Микроволна woodgrain	RAL 9016, 9006, 8017, 8014, 7016, 6005, 5010, 3004, 1015, ADS703**
	S-гофр woodgrain	RAL 9016, 9006, 9005, 8017, 8014, 7024, 7016, 7004, 6005, 5010, 3004, 1015, ADS703**
	S-гофр smooth	Golden Oak, Dark Oak
	M-гофр woodgrain	RAL 9016, 9005, 8017**
	M-гофр smooth	RAL 9016, 7024, 7016** Golden Oak, Dark Oak
	L-гофр woodgrain	RAL 9016, 9005, 8017**
	L-гофр smooth	RAL 9016, 9005, 8017, 7024, 7016, ADS703** Golden Oak, Dark Oak
	Микроволна woodgrain, S-, M-, L-гофр woodgrain/smooth	Другие цвета по каталогу RAL*, DB



* Указанные в формате RAL **** цвета имеют близкое соответствие шкале RAL.

** Стандартные цвета.

СИСТЕМА БАЛАНСИРОВКИ ПОЛОТНА ВОРОТ

Механизм пружинно-инерционный

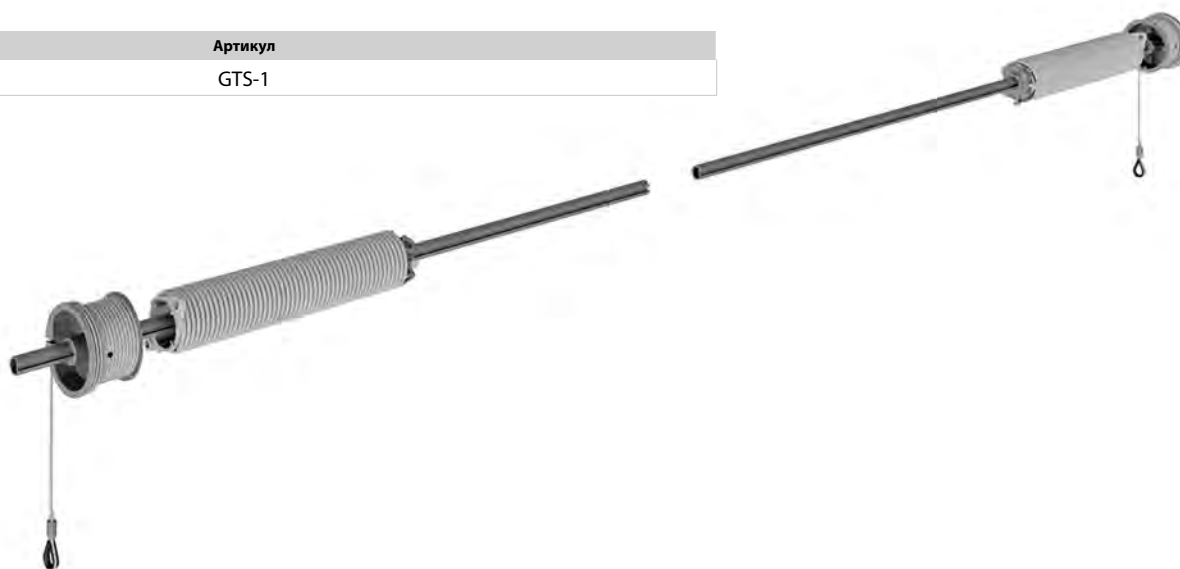
Тип ворот:

- гаражные ворота Trend с торсионными пружинами всех типов монтажа;
- промышленные ворота ProTrend.

Состав: вал (или два вала), пружины с пружинными наконечниками, барабаны, два собранных с коушами троса.

Единица измерения шт.

Артикул
GTS-1



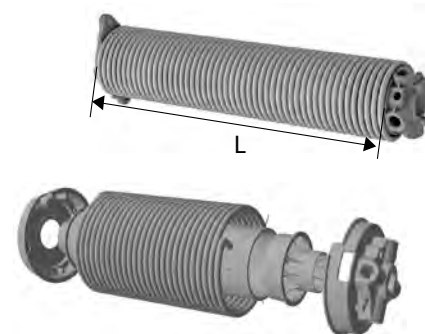
Элемент торсионный

Тип ворот:

- гаражные ворота Trend с торсионными пружинами всех типов монтажа;
- промышленные ворота ProTrend.

Состав:

- торсионная пружина с пружинными наконечниками (**ТКУ-1—4**);
- торсионная пружина с пружинными наконечниками, проставочный профиль, адаптер проставочный (**ТКУ-5, ТКУ-6**);
- торсионная пружина с пружинными наконечниками, труба проставочная с крышками и штифтами (**ТКУ-7, ТКУ-8**);
- дуплексная пружина с пружинными наконечниками, проставочный профиль (**ТКУ-9, ТКУ-11**).



Единица измерения шт.

Артикул	Диаметр пружины, мм	Тип ворот	Примечание
ТКУ-1	51	Гаражные ворота Trend	Левая
ТКУ-2		Промышленные ворота ProTrend	Правая
ТКУ-3	67	Гаражные ворота Trend	Левая
ТКУ-4		Промышленные ворота ProTrend	Правая
ТКУ-5	95	Гаражные ворота Trend	Левая
ТКУ-6		Промышленные ворота ProTrend	Правая
ТКУ-7	152	Промышленные ворота ProTrend	Левая
ТКУ-8			Правая
ТКУ-9	Дуплексная пружина (95+152 мм)	Промышленные ворота ProTrend	Левая
ТКУ-11			Правая

L — длина пружины, м

СИСТЕМА БАЛАНСИРОВКИ ПОЛОТНА ВОРОТ

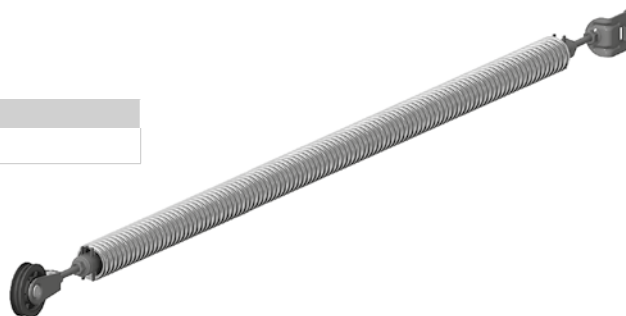
Элемент растяжения

Тип ворот: гаражные ворота Trend с пружинами растяжения.

Состав: пружина растяжения в сборе (внешняя и внутренняя пружины, фиксатор, узел верхний, кронштейн).

Единица измерения шт.

Артикул
TKU-13



Элемент торсионного вала

Тип ворот:

- гаражные ворота серии Trend с торсионными пружинами всех типов монтажа;
- промышленные ворота ProTrend всех типов монтажа.

Состав: два барабана, два собранных с коушами троса.

Единица измерения шт.



Артикул	Тип барабана	Типы ворот и монтажа
TKU-21	CD010N	Гаражные ворота Trend: • стандартный и низкий монтаж
TKU-22	CD012N	Гаражные ворота Trend: • стандартный и низкий монтаж Промышленные ворота Pro Trend: • стандартный, низкий, наклонный (5–40°), наклонный низкий (5–40°), низкий с передним расположением вала, низкий с передним расположением вала (тип 2) типы монтажа
TKU-23	CD018N	Промышленные ворота ProTrend: • стандартный, низкий, наклонный (5–40°), наклонный низкий (5–40°), низкий с передним расположением вала, низкий с передним расположением вала (тип 2) типы монтажа
TKU-24	CD032N	
TKU-25	CD032N-5/4	
TKU-26	CD054H	Гаражные ворота Trend • высокий тип монтажа Промышленные ворота ProTrend: • высокий и наклонный высокий (5–40°) монтаж с верхним расположением вала, высокий и наклонный высокий (5–40°) монтаж с нижним расположением вала
TKU-27	CD120H	Промышленные ворота ProTrend: • высокий и наклонный высокий (5–40°) монтаж с верхним расположением вала, высокий и наклонный высокий (5–40°) монтаж с нижним расположением вала
TKU-28	CD164H	
TKU-29	CD164H-5/4	
TKU-30	CD011V	Промышленные ворота ProTrend: • вертикальный монтаж с верхним и нижним расположением вала, все типы наклонных монтажей (45°)
TKU-31	CD018V	
TKU-32	CD018V-5/4	

СИСТЕМА БАЛАНСИРОВКИ ПОЛОТНА ВОРОТ

Элемент торсионный

Тип ворот:

- гаражные ворота Trend с торсионными пружинами всех типов монтажа;
- гаражные ворота Trend с пружинами растяжения;
- промышленные ворота ProTrend всех типов монтажа.

Состав: два собранных с коушами троса.

Единица измерения шт.

Артикул	Код
TKU-33	687000007



СИСТЕМА НАПРАВЛЯЮЩИХ

Стойка вертикальная

Тип ворот: гаражные ворота Trend с торсионными пружинами.

Тип монтажа: стандартный.

Состав: угловой профиль, вертикальная направляющая, боковой уплотнитель, ограничитель угловой стойки.

Единица измерения шт.

Артикул	Применение
НKG-4T	Левая
НKG-5T	Правая

**Стойка вертикальная**

Тип ворот: гаражные ворота Trend с торсионными пружинами.

Тип монтажа: низкий монтаж.

Состав: угловой профиль, вертикальная направляющая, боковой уплотнитель, ограничитель угловой стойки.

Единица измерения шт.

Артикул	Применение
НKG-9T	Левая
НKG-10T	Правая



1.1

1.2

1.3

1.4

1.5

2

3

4

СИСТЕМА НАПРАВЛЯЮЩИХ

Стойка вертикальная

Тип ворот: гаражные ворота Trend с пружинами растяжения.

Состав: угловой профиль, вертикальная направляющая, боковой уплотнитель, ограничитель угловой стойки, пластина.

Единица измерения шт.

Артикул	Применение
НKG-18Т	Левая
НKG-19Т	Правая



Стойка вертикальная

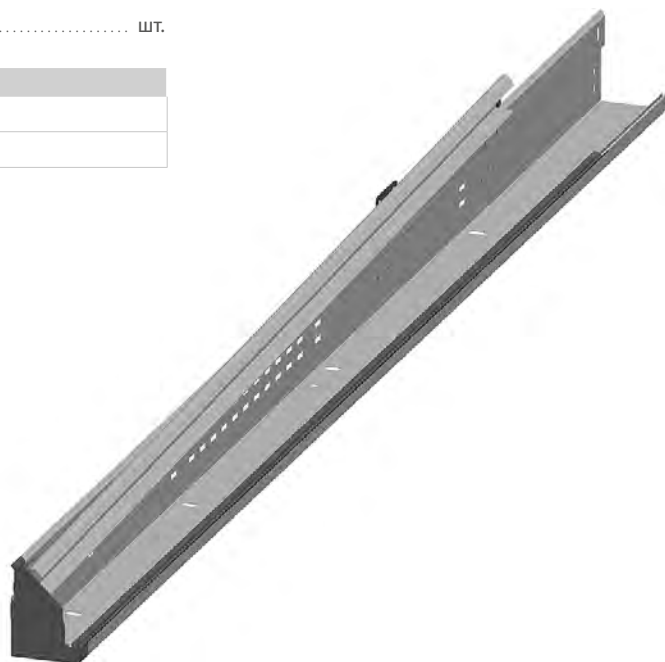
Тип ворот: гаражные ворота Trend с торсионными пружинами.

Тип монтажа: высокий с верхним расположением вала.

Состав: угловой профиль, вертикальная направляющая, соединительные пластины, боковой уплотнитель, ограничитель угловой стойки.

Единица измерения шт.

Артикул	Применение
НKG-22Т	Левая
НKG-23Т	Правая



СИСТЕМА НАПРАВЛЯЮЩИХ

Стойка вертикальная

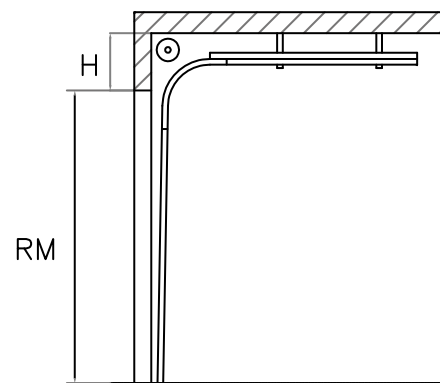
Тип ворот: промышленные ворота ProTrend.

Тип монтажа: стандартный.

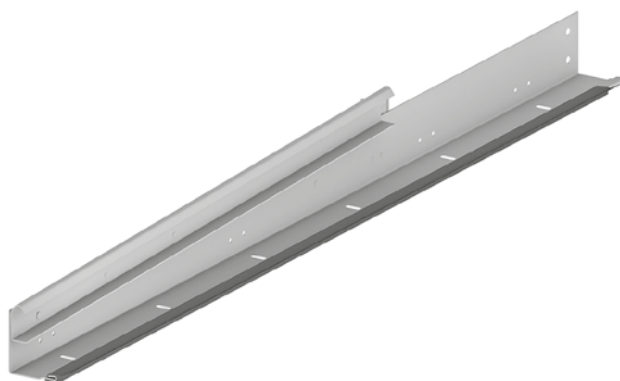
Состав: угловой профиль, вертикальная направляющая, соединительные пластины, боковой уплотнитель.

Единица измерения шт.

Артикул	Примечание (система подвеса)	Применение
HKI-10	GSH-4	Левая
HKI-11		Правая
HKI-14	GSH-5	Левая, нижняя часть
HKI-15		Правая, нижняя часть
HKI-16		Левая, верхняя часть
HKI-17		Правая, верхняя часть



Стандартный тип монтажа

Угловая стойка, состоящая из цельного профиля
(HKI-10, 11)Нижняя часть
(HKI-14, 15)Верхняя часть
(HKI-16, 17)

Угловая стойка, состоящая из двух отдельных частей

1.1

1.2

1.3

1.4

1.5

2

3

4

СИСТЕМА НАПРАВЛЯЮЩИХ

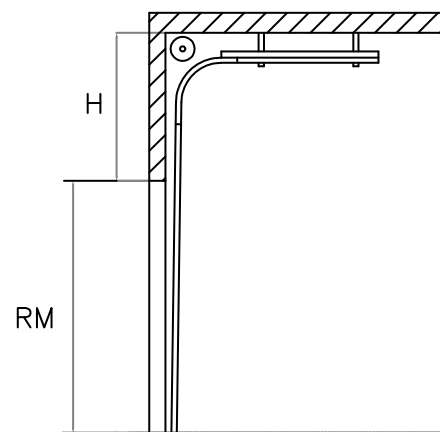
Стойка вертикальная

Тип ворот: промышленные ворота ProTrend.

Тип монтажа: высокий монтаж с верхним расположением вала.

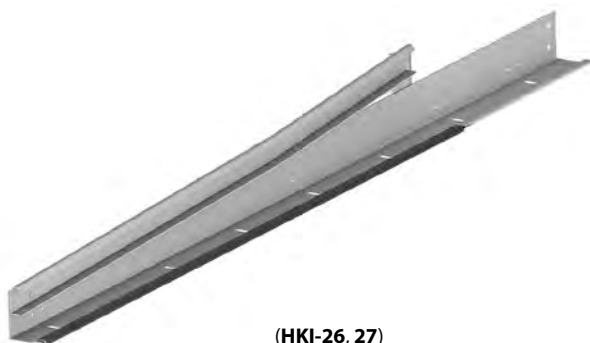
Состав: угловой профиль, вертикальная направляющая, соединительные пластины, боковой уплотнитель.

Единица измерения шт.

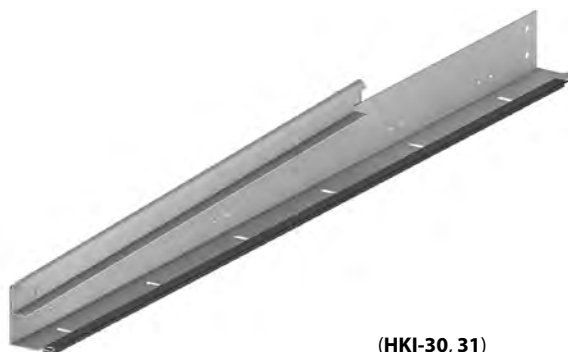


**Высокий тип монтажа
с верхним расположением вала**

Артикул	Примечание (система подвеса)	Применение
HKI-20	GSH-6	Левая, нижняя часть
HKI-21		Правая, нижняя часть
HKI-22		Левая, верхняя часть
HKI-23		Правая, верхняя часть
HKI-26	GSH-7	Левая
HKI-27		Правая
HKI-30	GSH-8	Левая
HKI-31		Правая



(HKI-26, 27)



(HKI-30, 31)

Угловая стойка, состоящая из цельного профиля



**Нижняя часть
(HKI-20, 21)**



**Верхняя часть
(HKI-22, 23)**

Угловая стойка, состоящая из двух отдельных частей

СИСТЕМА НАПРАВЛЯЮЩИХ

Стойка вертикальная

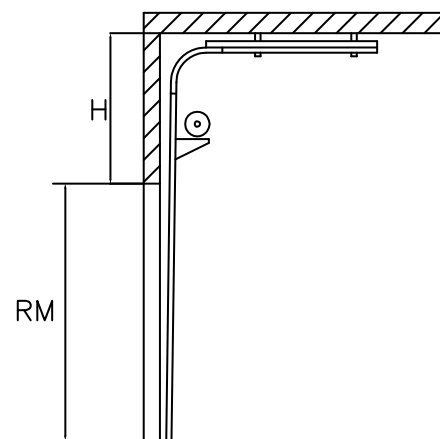
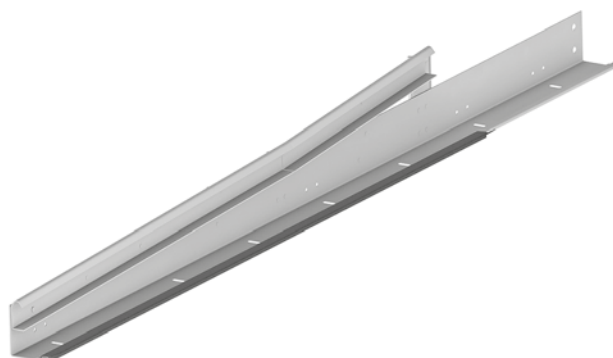
Тип ворот: промышленные ворота ProTrend.

Тип монтажа: высокий монтаж с нижним расположением вала.

Состав: угловой профиль, вертикальная направляющая, соединительные пластины, боковой уплотнитель.

Единица измерения шт.

Артикул	Примечание (система подвеса)	Применение
HKI-34	GSH-9	Левая, нижняя часть
HKI-35		Правая, нижняя часть
HKI-36		Левая, верхняя часть
HKI-37		Правая, верхняя часть
HKI-40	GSH-10	Левая
HKI-41		Правая

Высокий тип монтажа
с нижним расположением валаУгловая стойка, состоящая из цельного профиля
(HKI-40, 41)Нижняя часть
(HKI-34, 35)Верхняя часть
(HKI-36, 37)

Угловая стойка, состоящая из двух отдельных частей

СИСТЕМА НАПРАВЛЯЮЩИХ

Стойка вертикальная

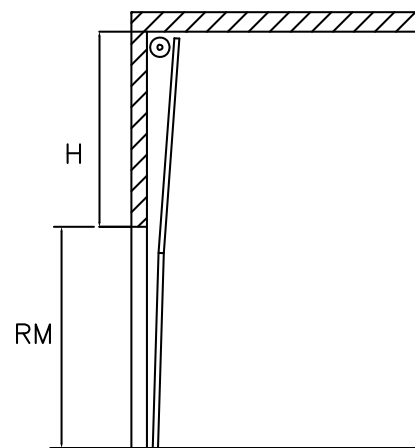
Тип ворот: промышленные ворота ProTrend.

Тип монтажа: вертикальный монтаж с верхним расположением вала.

Состав: угловой профиль, вертикальная направляющая, соединительные пластины, боковой уплотнитель.

Единица измерения шт.

Артикул	Примечание (система подвеса)	Применение
HKI-48	GSH-12	Левая, нижняя часть
HKI-49		Правая, нижняя часть
HKI-50		Левая, верхняя часть
HKI-51		Правая, верхняя часть
HKI-52	GSH-13	Левая
HKI-53		Правая



Вертикальный тип монтажа с верхним расположением вала



Угловая стойка, состоящая из цельного профиля (HKI-52, 53)



Нижняя часть (HKI-48, 49)



Верхняя часть (HKI-50, 51)

Угловая стойка, состоящая из двух отдельных частей

СИСТЕМА НАПРАВЛЯЮЩИХ

Стойка вертикальная

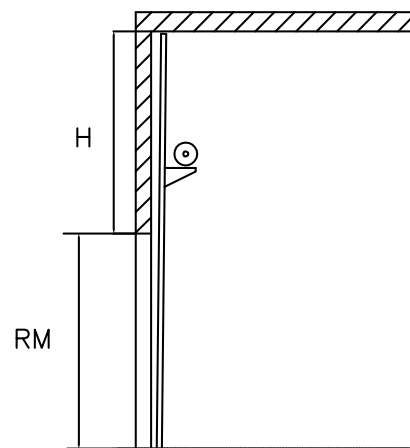
Тип ворот: промышленные ворота ProTrend.

Тип монтажа: вертикальный монтаж с нижним расположением вала.

Состав: угловой профиль, вертикальная направляющая, соединительные пластины, боковой уплотнитель.

Единица измерения шт.

Артикул	Примечание (система подвеса)	Применение
HKI-54	GSH-14	Левая
HKI-55		Правая
HKI-60	GSH-16	Левая
HKI-61		Правая
HKI-56	GSH-15	Левая, нижняя часть
HKI-57		Правая, нижняя часть
HKI-58		Левая, верхняя часть
HKI-59		Правая, верхняя часть



Вертикальный тип монтажа
с нижним расположением вала



Угловая стойка, состоящая из цельного профиля
(HKI-54, 55, 60, 61)



Нижняя часть
(HKI-56, 57)



Верхняя часть
(HKI-58, 59)

Угловая стойка, состоящая из двух отдельных частей

СИСТЕМА НАПРАВЛЯЮЩИХ

Стойка вертикальная

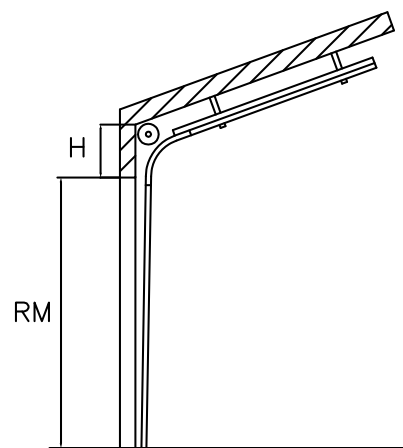
Тип ворот: промышленные ворота ProTrend.

Тип монтажа: наклонный.

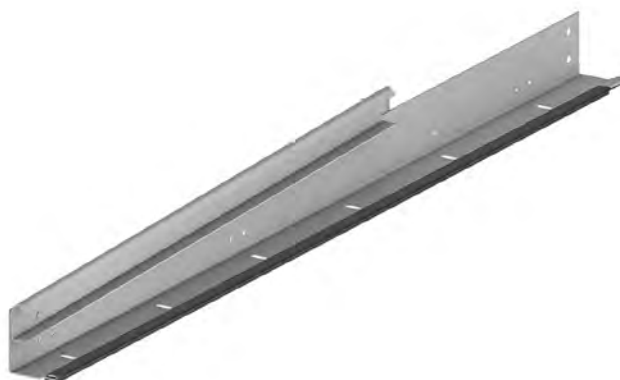
Состав: угловой профиль, вертикальная направляющая, соединительные пластины, боковой уплотнитель.

Единица измерения шт.

Артикул	Примечание (система подвеса)	Применение
HKI-62	GSH-19	Левая
HKI-63		Правая
HKI-66	GSH-20	Левая, нижняя часть
HKI-67		Правая, нижняя часть
HKI-68		Левая, верхняя часть
HKI-69		Правая, верхняя часть



Наклонный тип монтажа



Угловая стойка, состоящая из цельного профиля (HKI-62, 63)



Нижняя часть (HKI-66, 67)



Верхняя часть (HKI-68, 69)

Угловая стойка, состоящая из двух отдельных частей

СИСТЕМА НАПРАВЛЯЮЩИХ

Стойка вертикальная

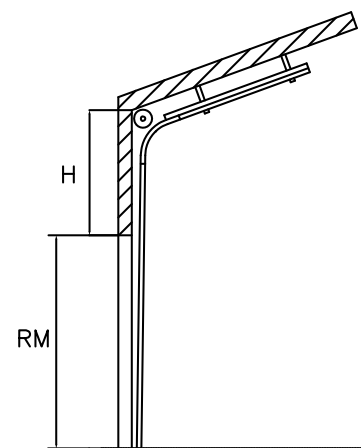
Тип ворот: промышленные ворота ProTrend.

Тип монтажа: наклонный высокий монтаж с верхним расположением вала.

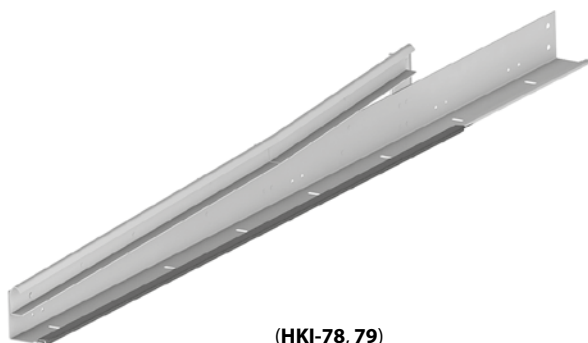
Состав: угловой профиль, вертикальная направляющая, соединительные пластины, боковой уплотнитель.

Единица измерения шт.

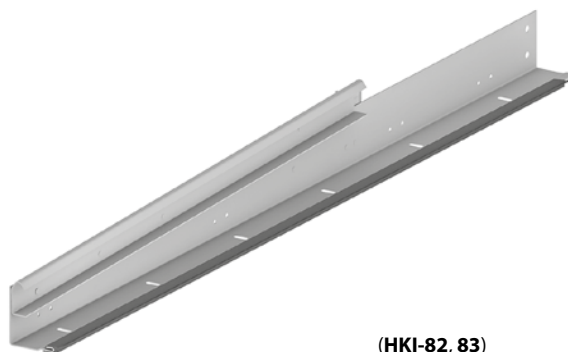
Артикул	Примечание (система подвеса)	Применение
HKI-72	GSH-21	Левая, нижняя часть
HKI-73		Правая, нижняя часть
HKI-74		Левая, верхняя часть
HKI-75		Правая, верхняя часть
HKI-78	GSH-22	Левая
HKI-79		Правая
HKI-82	GSH-23	Левая
HKI-83		Правая



Наклонный высокий тип монтажа с верхним расположением вала



(HKI-78, 79)



(HKI-82, 83)

Угловая стойка, состоящая из цельного профиля

Нижняя часть
(HKI-72, 73)Верхняя часть
(HKI-74, 75)

Угловая стойка, состоящая из двух отдельных частей

1.1

1.2

1.3

1.4

1.5

2

3

4

СИСТЕМА НАПРАВЛЯЮЩИХ

Стойка вертикальная

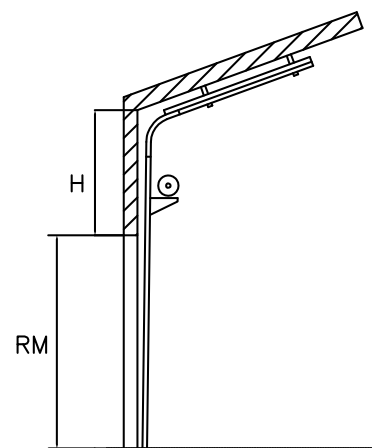
Тип ворот: промышленные ворота ProTrend.

Тип монтажа: наклонный высокий монтаж с нижним расположением вала.

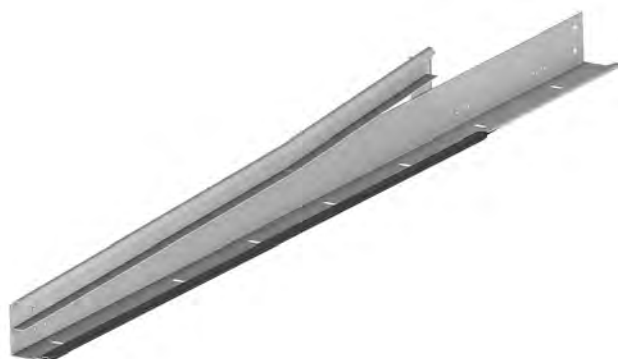
Состав: угловой профиль, вертикальная направляющая, соединительные пластины, боковой уплотнитель.

Единица измерения шт.

Артикул	Примечание (система подвеса)	Применение
HKI-86	GSH-24	Левая, нижняя часть
HKI-87		Правая, нижняя часть
HKI-88		Левая, верхняя часть
HKI-89		Правая, верхняя часть
HKI-92	GSH-25	Левая
HKI-93		Правая



Наклонный высокий тип монтажа с нижним расположением вала



Угловая стойка, состоящая из цельного профиля (HKI-92, 93)



Нижняя часть (HKI-86, 87)



Верхняя часть (HKI-88, 89)

Угловая стойка, состоящая из двух отдельных частей

СИСТЕМА НАПРАВЛЯЮЩИХ

Стойка вертикальная

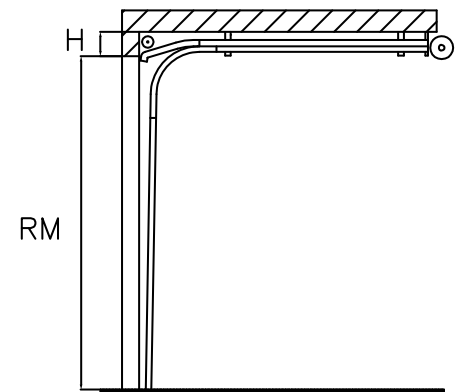
Тип ворот: промышленные ворота ProTrend.

Тип монтажа: низкий.

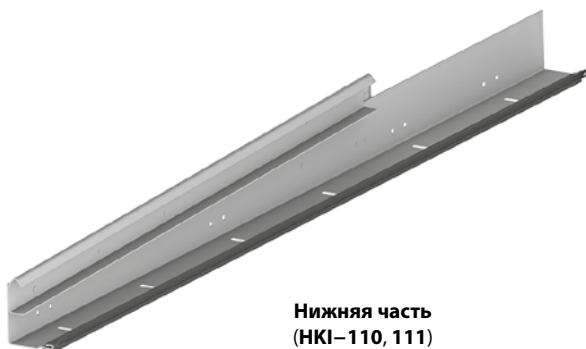
Состав: угловой профиль, вертикальная направляющая, соединительные пластины, боковой уплотнитель, кронштейн шкива.

Единица измерения шт.

Артикул	Примечание (система подвеса)	Применение
HKI-108	GSH-17	Левая
HKI-109		Правая
HKI-110	GSH-18	Левая, нижняя часть
HKI-111		Правая, нижняя часть
HKI-112		Левая, верхняя часть
HKI-113		Правая, верхняя часть



Низкий тип монтажа

Угловая стойка, состоящая из цельного профиля
(HKI-108, 109)Нижняя часть
(HKI-110, 111)Верхняя часть
(HKI-112, 113)

Угловая стойка, состоящая из двух отдельных частей

СИСТЕМА НАПРАВЛЯЮЩИХ

Стойка вертикальная

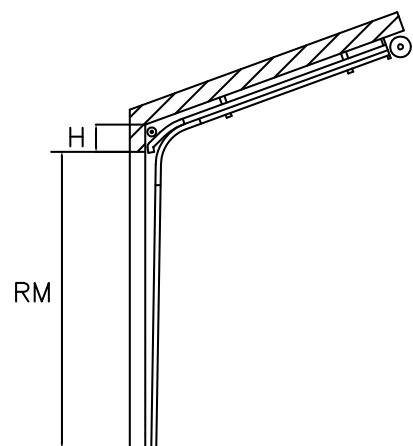
Тип ворот: промышленные ворота ProTrend.

Тип монтажа: наклонный низкий.

Состав: угловой профиль, вертикальная направляющая, соединительные пластины, боковой уплотнитель, кронштейн шкива.

Единица измерения шт.

Артикул	Примечание (система подвеса)	Применение
HKI-114	GSH-27	Левая
HKI-115		Правая
HKI-116	GSH-28	Левая, нижняя часть
HKI-117		Правая, нижняя часть
HKI-118		Левая, верхняя часть
HKI-119		Правая, верхняя часть



Наклонный низкий тип монтажа



**Угловая стойка, состоящая из цельного профиля
(HKI-114, 115)**



**Нижняя часть
(HKI-116, 117)**



**Верхняя часть
(HKI-118, 119)**

Угловая стойка, состоящая из двух отдельных частей

СИСТЕМА НАПРАВЛЯЮЩИХ

Стойка вертикальная

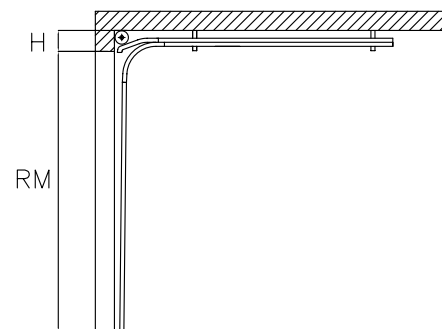
Тип ворот: промышленные ворота ProTrend.

Тип монтажа: низкий с передним расположением вала.

Состав: угловой профиль, вертикальная направляющая, соединительные пластины, боковой уплотнитель.

Единица измерения шт.

Артикул	Примечание (система подвеса)	Применение
HKI-123	GSH-30	Левая
HKI-124		Правая
HKI-125	GSH-31	Левая, нижняя часть
HKI-126		Правая, нижняя часть
HKI-127		Левая, верхняя часть
HKI-128		Правая, верхняя часть



**Низкий тип монтажа
с передним расположением вала**

1.1

1.2

1.3

1.4

1.5

2

3

4

СИСТЕМА НАПРАВЛЯЮЩИХ

Стойка вертикальная

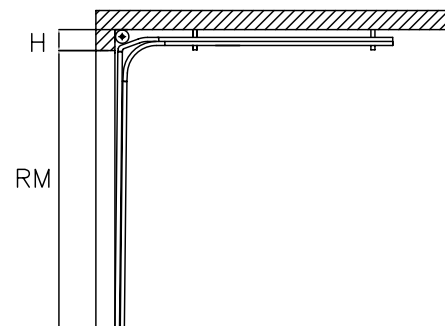
Тип ворот: промышленные ворота ProTrend.

Тип монтажа: низкий с передним расположением вала (тип 2).

Состав: угловой профиль, вертикальная направляющая, соединительные пластины, боковой уплотнитель.

Единица измерения шт.

Артикул	Примечание (система подвеса)	Применение
НКI-129	GSH-32	Левая
НКI-130		Правая
НКI-131	GSH-33	Левая, нижняя часть
НКI-132		Правая, нижняя часть
НКI-133		Левая, верхняя часть
НКI-134		Правая, верхняя часть



**Низкий тип монтажа
с передним расположением вала (тип 2)**



**Угловая стойка, состоящая из цельного профиля
(НКI-129, 130)**



**Нижняя часть
(НКI-131, 132)**



**Верхняя часть
(НКI-133, 134)**

Угловая стойка, состоящая из двух отдельных частей

СИСТЕМА НАПРАВЛЯЮЩИХ

Нацельник

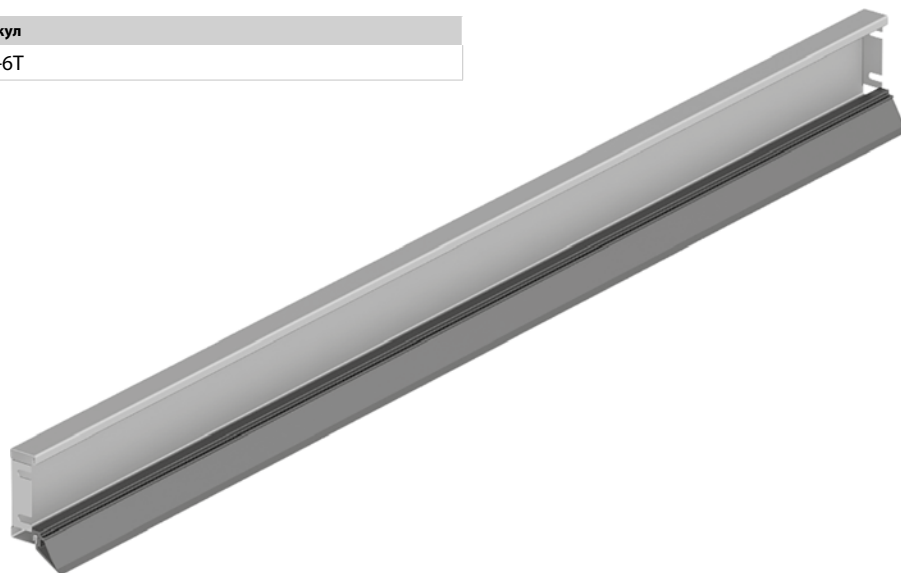
Тип ворот:

- гаражные ворота Trend с пружинами растяжения;
- гаражные ворота Trend низкого и стандартного типов монтажа.

Состав: профиль передний, вставка уплотнительная.

Единица измерения шт.

Артикул
НKG-6T

**Нацельник**

Тип ворот: промышленные ворота серии ProTrend низкого, низкого с передним расположением вала, низкого с передним расположением вала (тип 2) и наклонного низкого типов монтажа.

Состав: профиль передний, вставка уплотнительная.

Единица измерения шт.

Артикул
НKI-120



1.1

1.2

1.3

1.4

1.5

2

3

4

СИСТЕМА НАПРАВЛЯЮЩИХ

Направляющая горизонтальная

Тип ворот:

- гаражные ворота Trend с пружинами растяжения;
- гаражные ворота Trend стандартного типа монтажа.

Состав: профиль направляющий горизонтальный, узел направляющий передний, соединительная пластина.

Единица измерения шт.

Артикул	Примечание (система подвеса)	Применение
НКГ-7Т	Стандартный	Левая
НКГ-8Т		Правая
НКГ-16Т	Пружины растяжения	Левая
НКГ-17Т		Правая



Направляющая горизонтальная

Тип ворот: гаражные ворота Trend низкого типа монтажа.

Состав: профиль направляющий горизонтальный, узел направляющий передний, соединительная пластина.

Единица измерения шт.

Артикул
НКЛ-12Т
НКЛ-13Т



СИСТЕМА НАПРАВЛЯЮЩИХ

Направляющая горизонтальная

Тип ворот: гаражные ворота Trend с торсионными пружинами.

Тип монтажа: высокий с верхним расположением вала.

Состав: профиль направляющий горизонтальный, узел передний.

Единица измерения шт.

Артикул	Применение
НKG-20Т	Левая
НKG-21Т	Правая



1.1

1.2

1.3

1.4

1.5

2

3

4

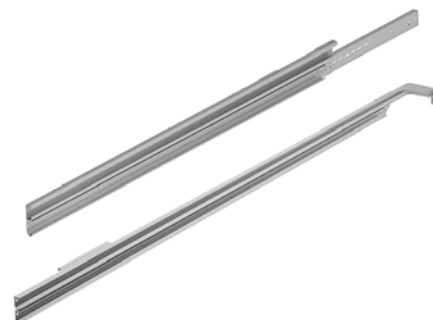
СИСТЕМА НАПРАВЛЯЮЩИХ

Направляющая горизонтальная

Тип ворот: промышленные ворота ProTrend всех типов монтажа, кроме вертикальных.

Состав: профиль направляющий горизонтальный, узел передний, соединительные пластины.

Единица измерения шт.



Артикул	Тип монтажа	Применение (система подвеса)	Применение
HKI-12	Стандартный	GSH-4	Левая
HKI-13			Правая
HKI-18		GSH-5	Левая
HKI-19	Правая		
HKI-24	Высокий с верхним расположением вала	GSH-6	Левая
HKI-25			Правая
HKI-28		GSH-7	Левая
HKI-29			Правая
HKI-32		GSH-8	Левая
HKI-33			Правая
HKI-38	Высокий с нижним расположением вала	GSH-9	Левая
HKI-39			Правая
HKI-42		GSH-10	Левая
HKI-43	Правая		
HKI-64	Наклонный	GSH-19	Левая
HKI-65			Правая
HKI-70		GSH-20	Левая
HKI-71	Правая		
HKI-76	Наклонный высокий с верхним расположением вала	GSH-21	Левая
HKI-77			Правая
HKI-80		GSH-22	Левая
HKI-81			Правая
HKI-84		GSH-23	Левая
HKI-85	Правая		
HKI-90	Наклонный высокий с нижним расположением вала	GSH-24	Левая
HKI-91			Правая
HKI-94		GSH-25	Левая
HKI-95	Правая		
HKI-100	Низкий	GSH-17	Левая
HKI-101			Правая
HKI-102		GSH-18	Левая
HKI-103	Правая		
HKI-104	Наклонный низкий	GSH-27	Левая
HKI-105			Правая
HKI-106		GSH-28	Левая
HKI-107	Правая		
HKI-121	Низкий с передним расположением вала	GSH-30, GSH-31	Левая
HKI-122			Правая
HKI-135	Низкий с передним расположением вала (тип 2)	GSH-32, GSH-33	Левая
HKI-136			Правая

СИСТЕМА НАПРАВЛЯЮЩИХ

Система направляющих

Тип ворот:

- гаражные ворота Trend с пружинами растяжения;
- гаражные ворота Trend низкого, стандартного и высокого типа монтажа.

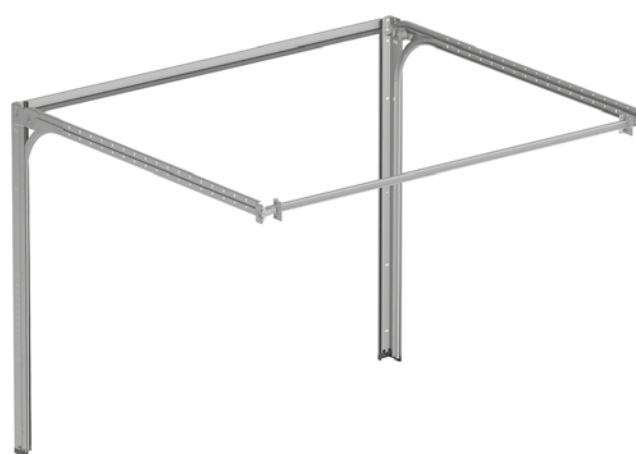
Состав: система горизонтальных и вертикальных направляющих (правая и левая), боковой уплотнитель, нащельник с уплотнителем, мерная планка.

Единица измерения шт.

Артикул	Тип ворот	Тип монтажа
GSH-1T	Стандартный	Стандартный
GSH-2T	Низкий	Низкий
GSH-9T	Пружины растяжения	—
GSH-3T	Высокий	Высокий



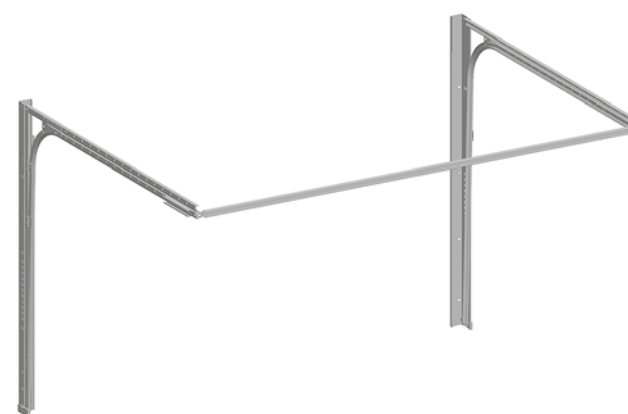
Стандартный монтаж



Низкий монтаж



Пружины растяжения



Высокий монтаж

1.1

1.2

1.3

1.4

1.5

2

3

4

СИСТЕМА НАПРАВЛЯЮЩИХ

Система направляющих

Тип ворот: промышленные ворота ProTrend стандартного и высокого типов монтажа.

Состав: система горизонтальных и вертикальных направляющих (правая и левая), боковой уплотнитель, мерная планка.

Единица измерения шт.

Артикул	Тип монтажа
GSH-4	Стандартный
GSH-5	
GSH-6	Высокий с верхним расположением вала
GSH-7	
GSH-8	
GSH-9	Высокий с нижним расположением вала
GSH-10	



Стандартный монтаж



**Высокий монтаж
с нижним расположением вала**



**Высокий монтаж
с верхним расположением вала**

СИСТЕМА НАПРАВЛЯЮЩИХ

Система направляющих

Тип ворот: промышленные ворота ProTrend низких типов монтажа.

Состав: система горизонтальных и вертикальных направляющих (правая и левая), боковой уплотнитель, мерная планка, кронштейн шкива.

Единица измерения шт.

Артикул	Тип монтажа
GSH-17	Низкий
GSH-18	
GSH-27	Наклонный низкий
GSH-28	



Низкий монтаж



Наклонный низкий

1.1

1.2

1.3

1.4

1.5

2

3

4

СИСТЕМА НАПРАВЛЯЮЩИХ

Система направляющих

Тип ворот: промышленные ворота ProTrend вертикальных типов монтажа.

Состав: система вертикальных направляющих (правая и левая), боковой уплотнитель, мерная планка.

Единица измерения шт.

Артикул	Тип монтажа
GSH-12	Вертикальный с верхним расположением вала
GSH-13	
GSH-14	
GSH-15	Вертикальный с нижним расположением вала
GSH-16	



**Вертикальный монтаж
с верхним расположением вала**



**Вертикальный монтаж
с нижним расположением вала**

СИСТЕМА НАПРАВЛЯЮЩИХ

Система направляющих

Тип ворот: промышленные ворота ProTrend наклонных типов монтажа.

Состав: система вертикальных и горизонтальных направляющих (правая и левая), боковой уплотнитель, мерная планка.

Единица измерения шт.

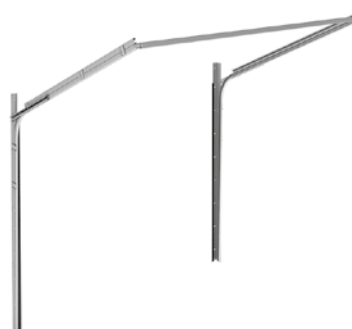
Артикул	Тип монтажа
GSH-19	Наклонный
GSH-20	
GSH-21	Наклонный высокий с верхним расположением вала
GSH-22	
GSH-23	
GSH-24	Наклонный высокий с нижним расположением вала
GSH-25	



**Наклонный высокий монтаж
с нижним расположением вала**



**Наклонный высокий монтаж
с верхним расположением вала**



Наклонный

1.1

1.2

1.3

1.4

1.5

2

3

4

СИСТЕМА НАПРАВЛЯЮЩИХ

Система направляющих

Тип ворот: промышленные ворота ProTrend низких типов монтажа с передним расположением вала.

Состав: система вертикальных и горизонтальных направляющих (правая и левая), боковой уплотнитель, мерная планка.

Единица измерения шт.

Артикул	Тип монтажа
GSH-30	Низкий монтаж с передним расположением вала
GSH-31	
GSH-32	Низкий монтаж с передним расположением вала (тип 2)
GSH-33	



**Низкий монтаж
с передним расположением вала (тип 2)**



ООО «Алютех Воротные Системы»



СООО «Алюмин Техно»



ООО «Алютех Инкорпорейтед»

Группа компаний «АЛЮТЕХ» — производственно-сбытовой холдинг, выпускающий широкий ассортимент решений для современной архитектуры и строительства. В составе Группы — 5 производственных предприятий, а также более 20 сбытовых компаний в России, Беларуси, Украине, Германии, Чехии и др. странах. Три крупнейшие производственные площадки холдинга находятся в Минске:

- ООО «Алютех Инкорпорейтед», выпускающее и поставляющее профили, комплектующие и системы управления для роллет.
- ООО «Алютех Воротные Системы», специализирующееся на выпуске секционных ворот, сэндвич-панелей и комплектующих, а также изделий из алюминиевых сплавов методом литья под давлением.
- СООО «АлюминТехно» — крупнейшее в СНГ предприятие по производству, порошковой окраске и анодированию алюминиевых профилей.

Собственное производство ГК «АЛЮТЕХ» включает: мощный литейный цех, высокотехнологичные прессовые линии, линии горизонтальной и вертикальной порошковой окраски, крупнейший в СНГ комплекс по анодированию алюминиевых профилей, автоматизированные роллформинговые линии, линии по производству сэндвич-панелей и воротного полотна, ультрасовременный комплекс по покраске и раскрою алюминиевой и стальной ленты, автоматизированные комплексы литья под давлением, а также склады хранения и сортировки продукции.

Производство полного цикла, наличие собственного инженерно-технического центра, а также лабораторий и испытательных участков позволяет «АЛЮТЕХ» контролировать качество продукции на всех этапах производственного процесса: от разработки проекта, закупки сырьевых материалов до выпуска готовой продукции и ее тестирования на соответствие заявленным эксплуатационным характеристикам.

Качество и долговечность изделий «АЛЮТЕХ» соответствуют строгим национальным и международным стандартам. Система менеджмента на всех предприятиях Группы сертифицирована на соответствие требованиям международных стандартов ISO 9001 и ISO 14001.

Сегодня изделия бренда поставляются в более чем 65 стран СНГ, Европы, Азии, Африки, Северной Америки, а также Австралию. За годы работы на международном рынке «АЛЮТЕХ» стал технологическим лидером в своей отрасли — продукцию оценили миллионы клиентов по всему миру.